

MODULARO

Manual

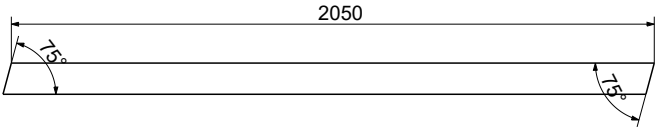
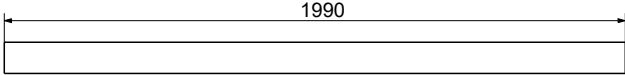
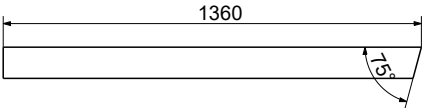
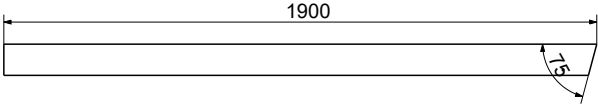
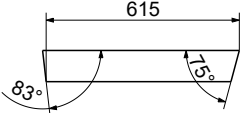
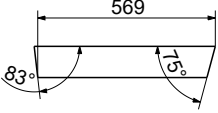
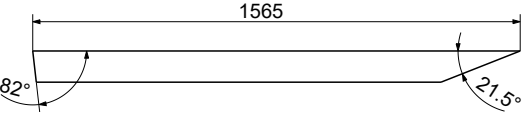
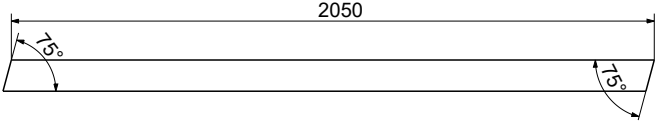
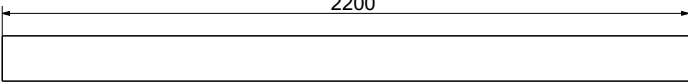
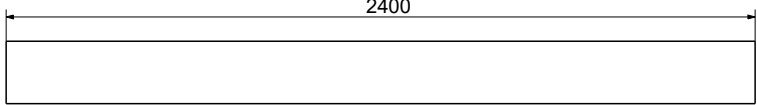
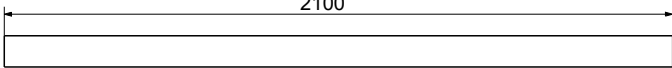


for

Wooden Shelter Montane

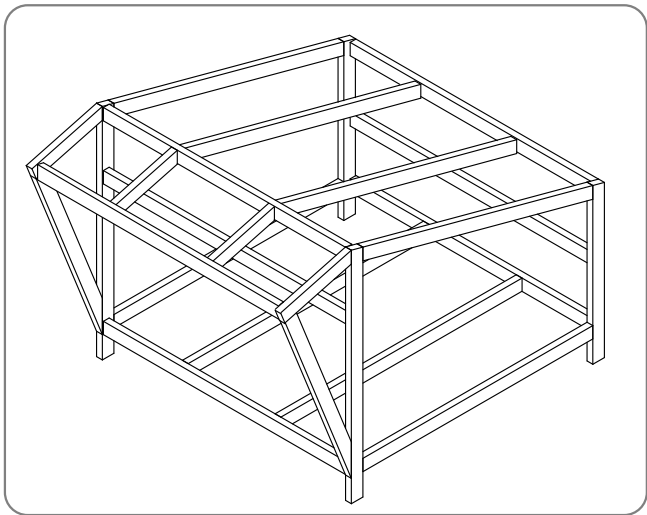
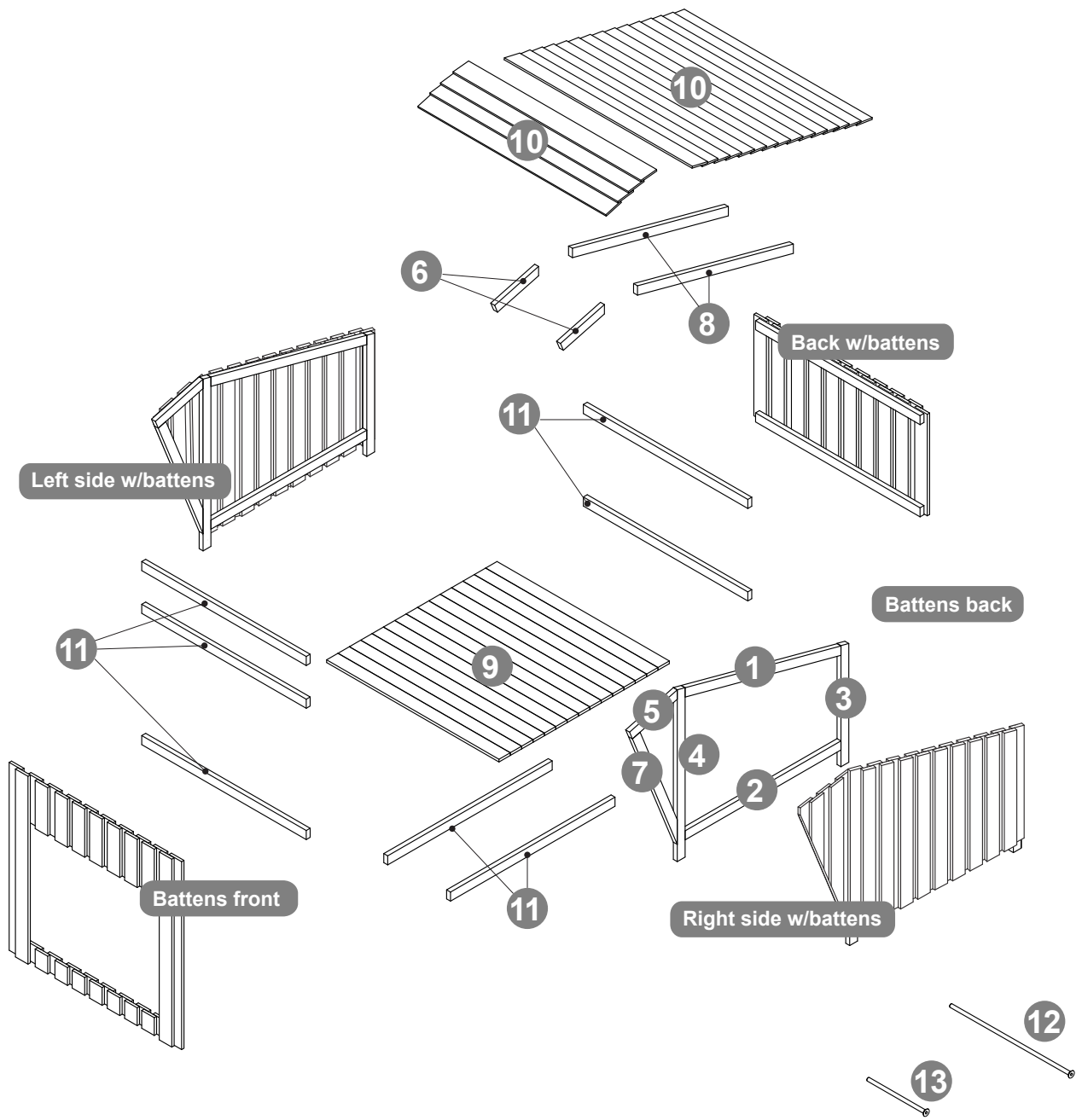
2,4x3x1,95 m

Materials

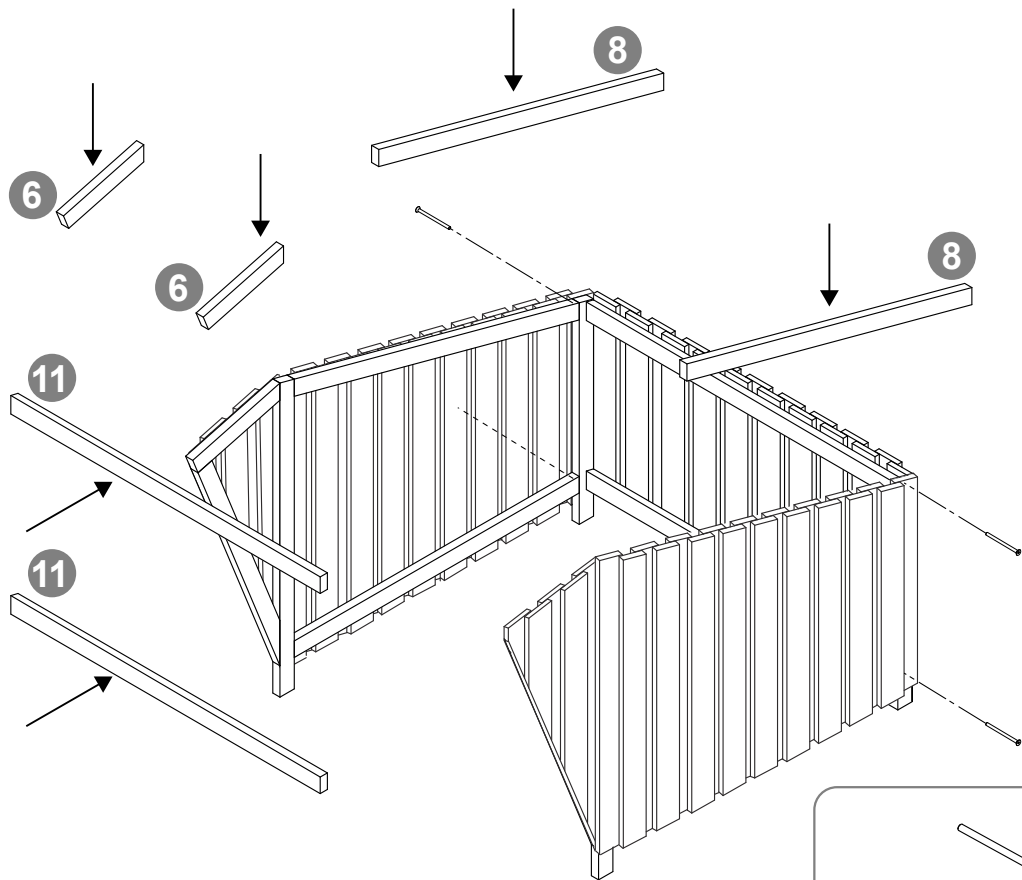
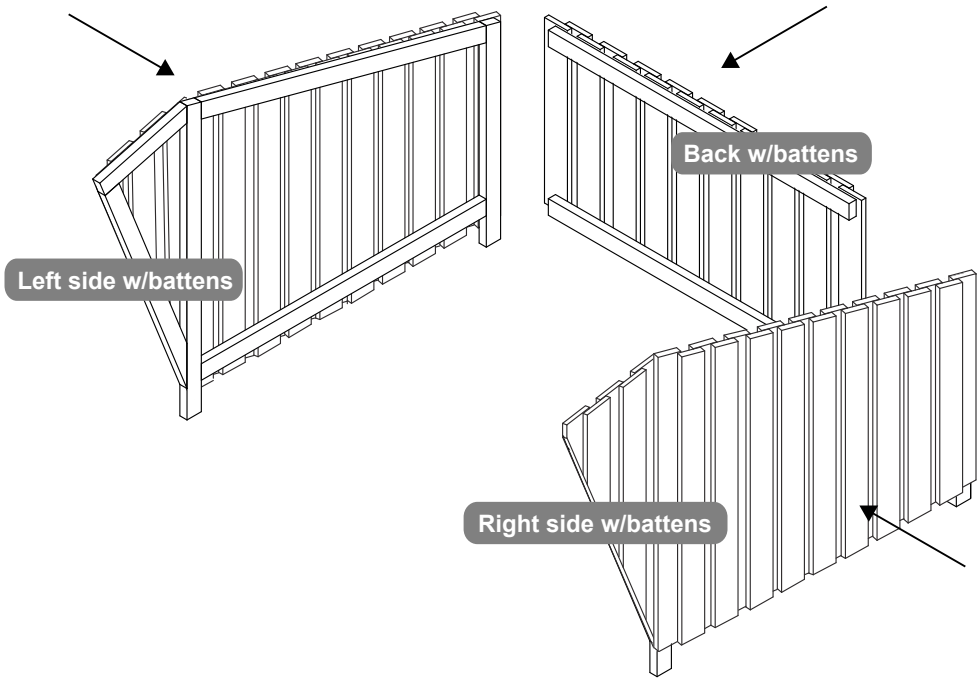
Dimensions
in mm

Part no.	Drawing	Dim.	No.
1		50x100	2 pcs.
2		50x100	2 pcs.
3		50x100	2 pcs.
4		50x100	2 pcs.
5		50x100	2 pcs.
6		50x100	2 pcs.
7		50x100	2 pcs.
8		50x100	2 pcs.
9		30x145 Floor boards	15 pcs.
10		19 x 200-250 Roof boards	15 pcs.
11		50x100	8 pcs.
12	 Screws	5x180	40 pcs.
13	 Screws	4,5x60	500 pcs.

Shelter assembly



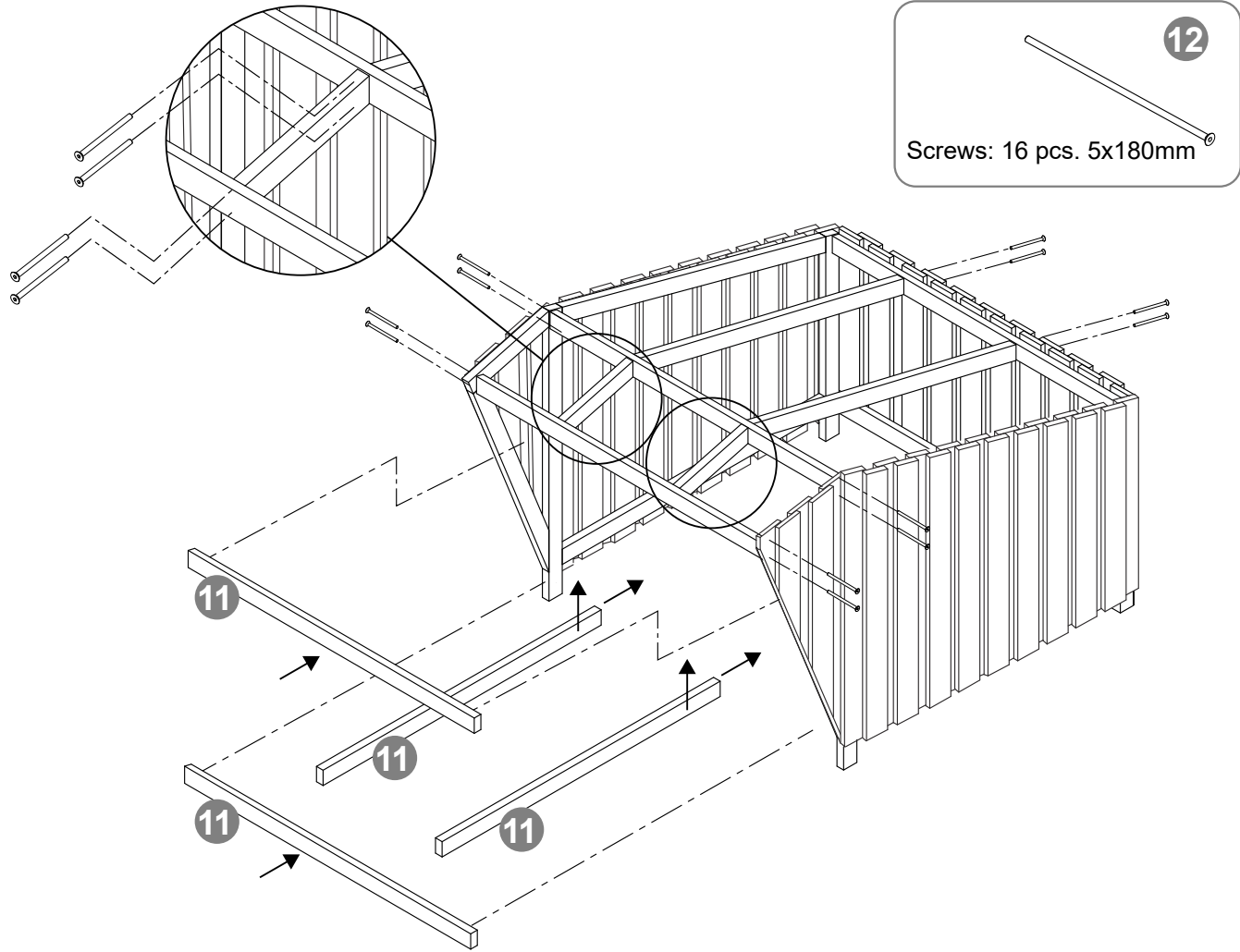
Shelter assembly



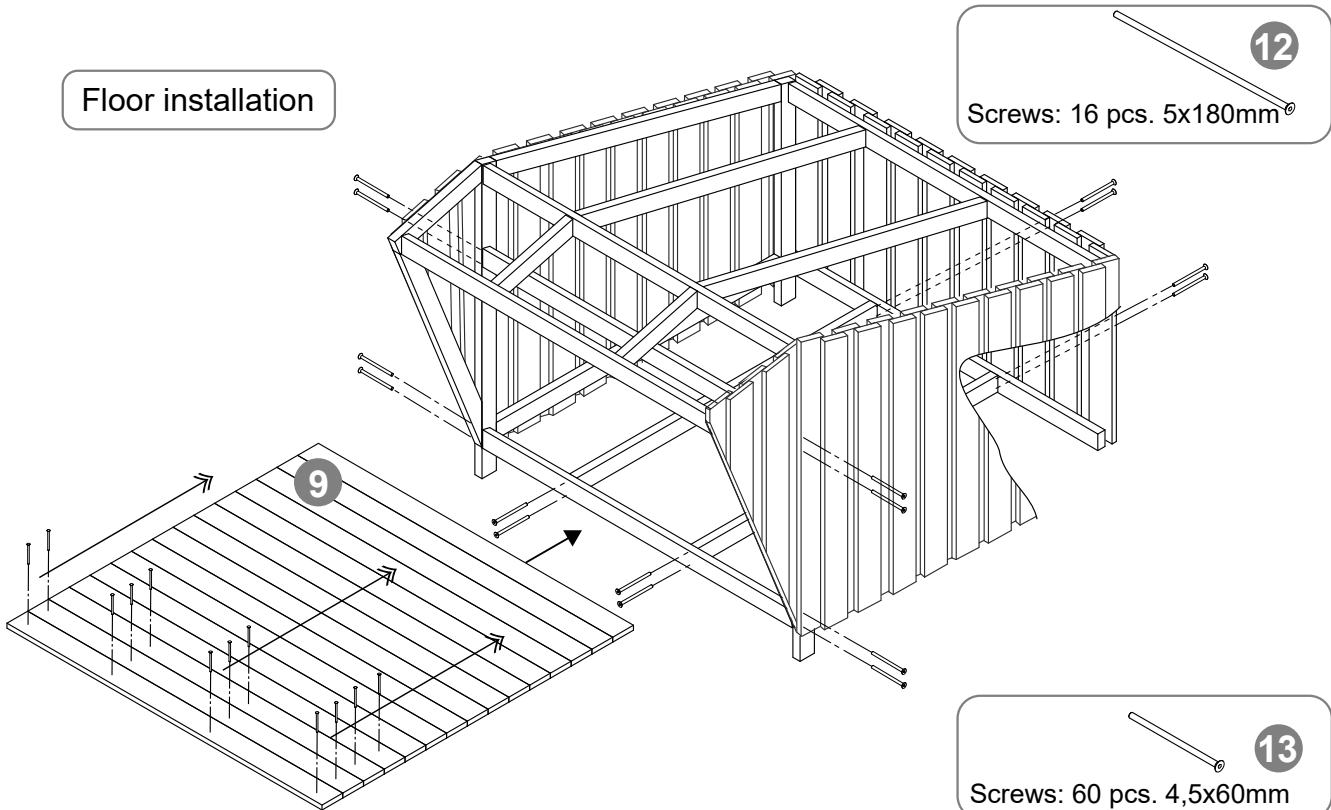
12

Screws: 4 pcs. 5x180mm

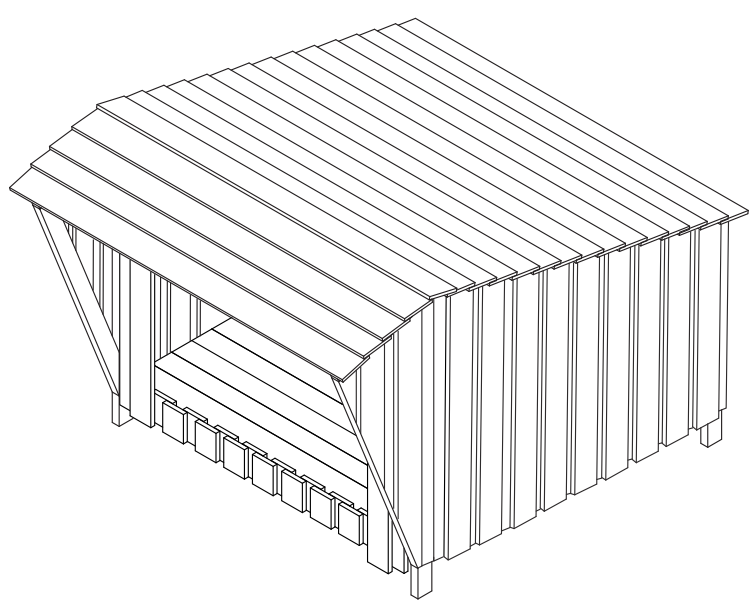
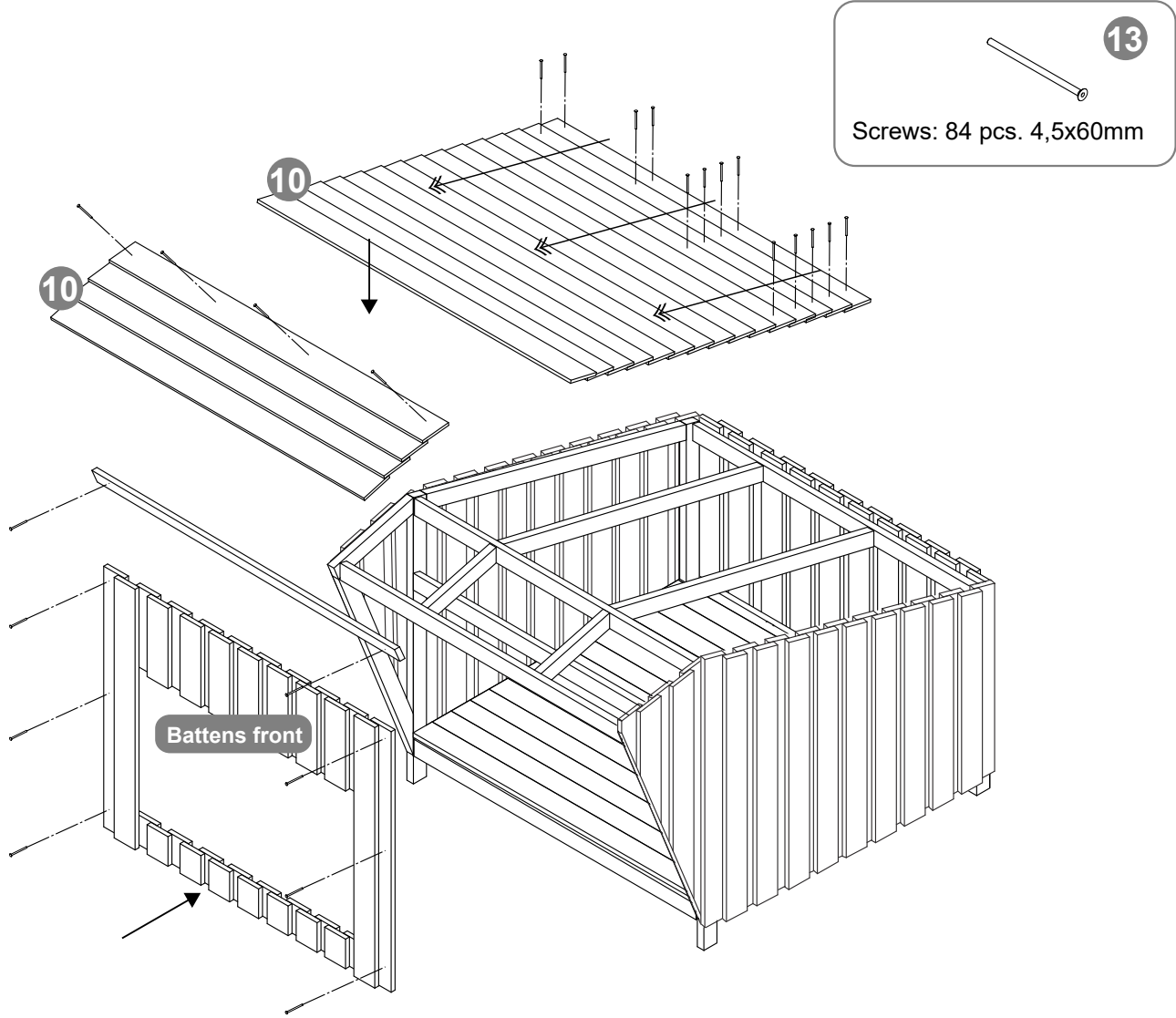
Shelter assembly



Floor installation



Shelter assembly



Contact information

Head office:

Dancover A/S
Lyngevej 16A, Nørre Herlev
3400 Hillerød
Denmark

For more information
please visit:

www.dancovershop.com

National contact

Denmark:

denmark@dancover.com

UK:

uk@dancover.com

Germany:

germany@dancover.com

France:

france@dancover.com

Sweden:

sverige@dancover.com

Finland:

suomi@dancover.com

Poland:

polska@dancover.com

Luxembourg:

luxembourg@dancover.com

Portugal:

portugal@dancover.com

Spain:

espana@dancover.com

Italy:

italia@dancover.com

Switzerland:

schweiz@dancover.com

Austria:

austria@dancover.com

Norway:

norge@dancover.com

Nederland:

nederland@dancover.com

Ireland:

ireland@dancover.com

Belgium:

belgique@dancover.com