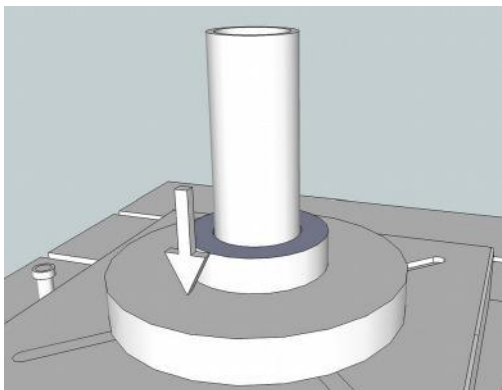
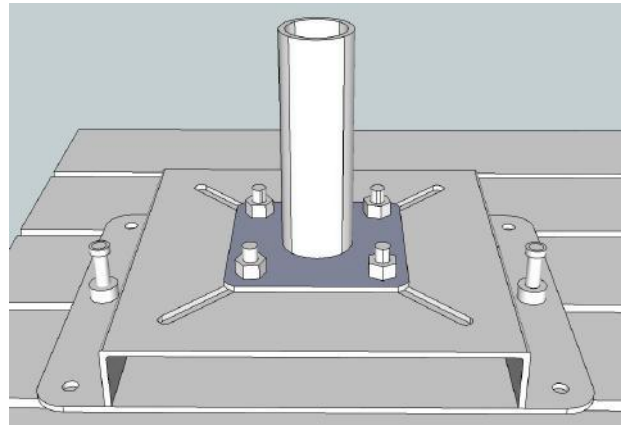
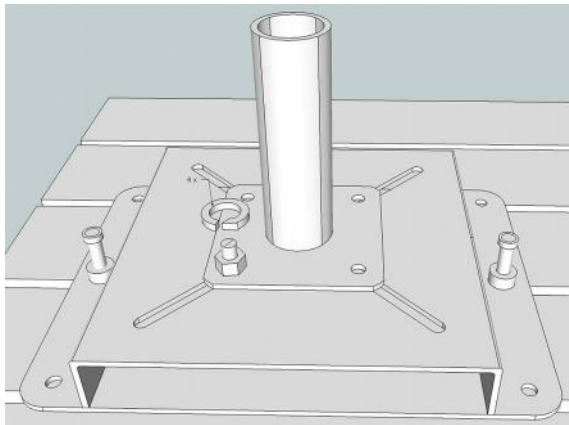
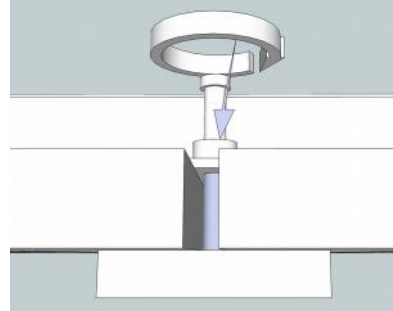
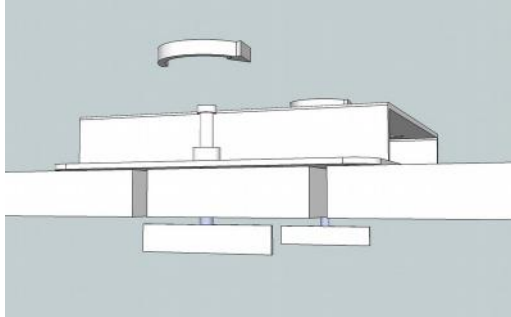
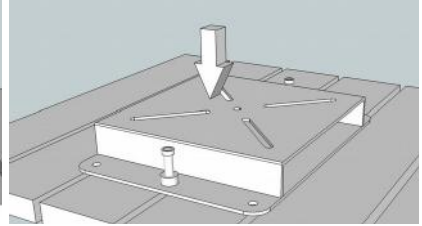
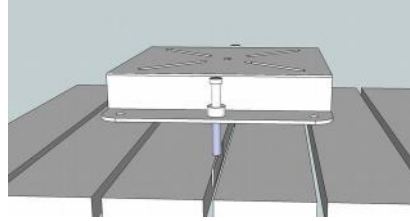
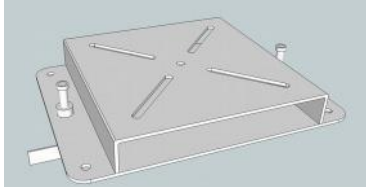


DANCOVER[®] 

Manual
for
Parasol Base
Cantilever

USER INSTRUCTION



Contact information

Austria



Belgium



Croatia



Denmark



Estonia



Finland



France



Germany



Ireland



Italy



Latvia



Lithuania



Nederland



Norway



Poland



Portugal



Spain



Sweden



Switzerland



UK

