

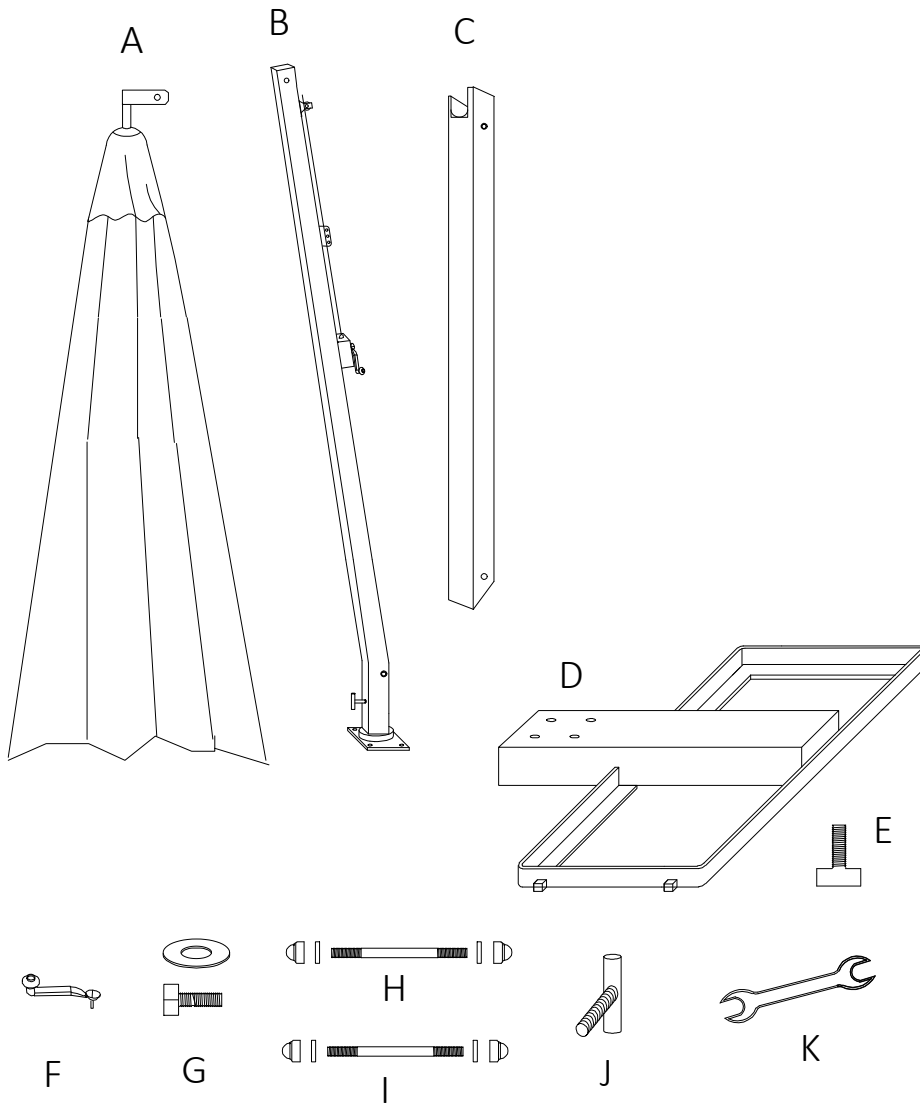
**DANCOVER<sup>®</sup>**

**.com**

Manual  
for  
Cantilever Parasol Havana  
3,5x3,5m  
and  
Cantilever Parasol Antigua  
3x4m

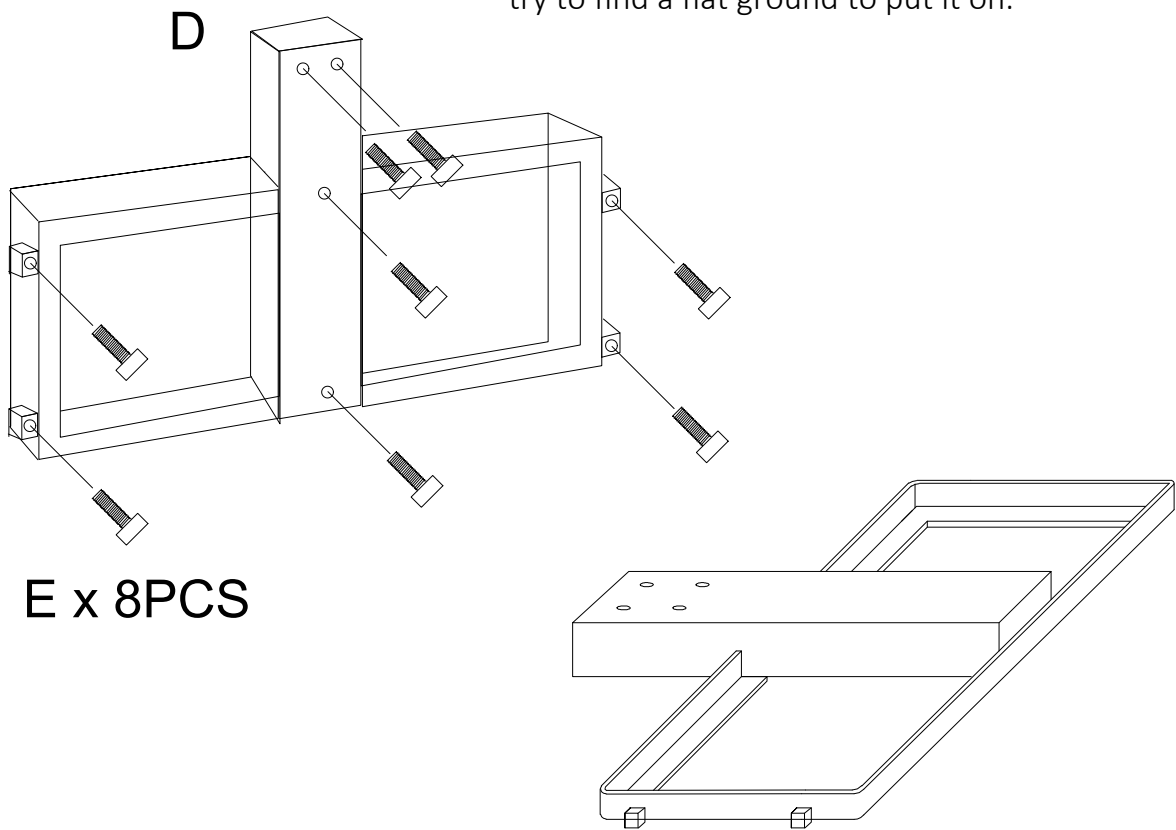
CANTILEVER PARASOL ASSEMBLY PART LIST

PART	DESCRIPTION	PART	DESCRIPTION
A	PARASOL - 1PC	G	M10*25MM BOLTS,WASHERS&NUTS - 4SETS
B	UPRIGHT POST - 1PC	H	M10*95MM BOLT, WASHERS&NUTS - 1SET
C	HANGING POST - 1PC	I	M10*120MM BOLT, WASHERS&NUTS - 1SET
D	BASE'S METAL FRAME - 1PC	J	"T" SHAPE TIGHTENING BOLT - 1PC
E	FEET - 8PCS	K	SPANNERS - 2PCS
F	WINCH HANDLE - 1PC		



Step 1:

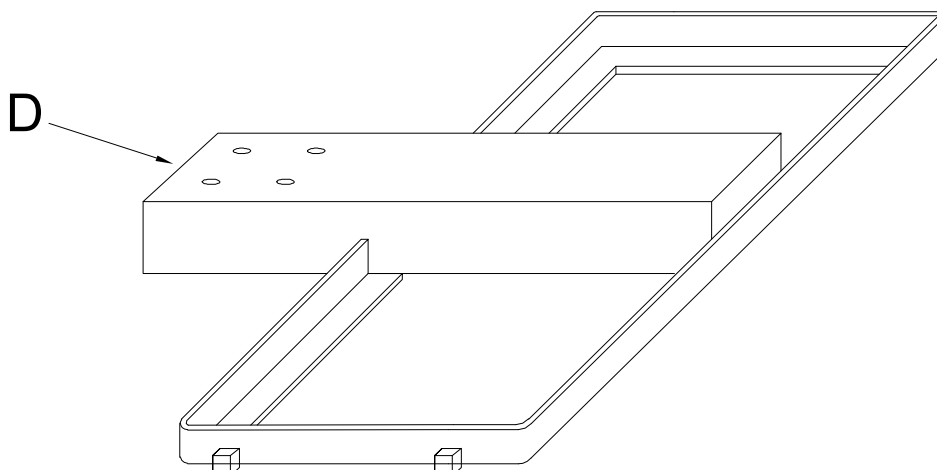
Fixing the 8 feet (E) into the base's metal frame (D),  
try to find a flat ground to put it on.



Step 2:

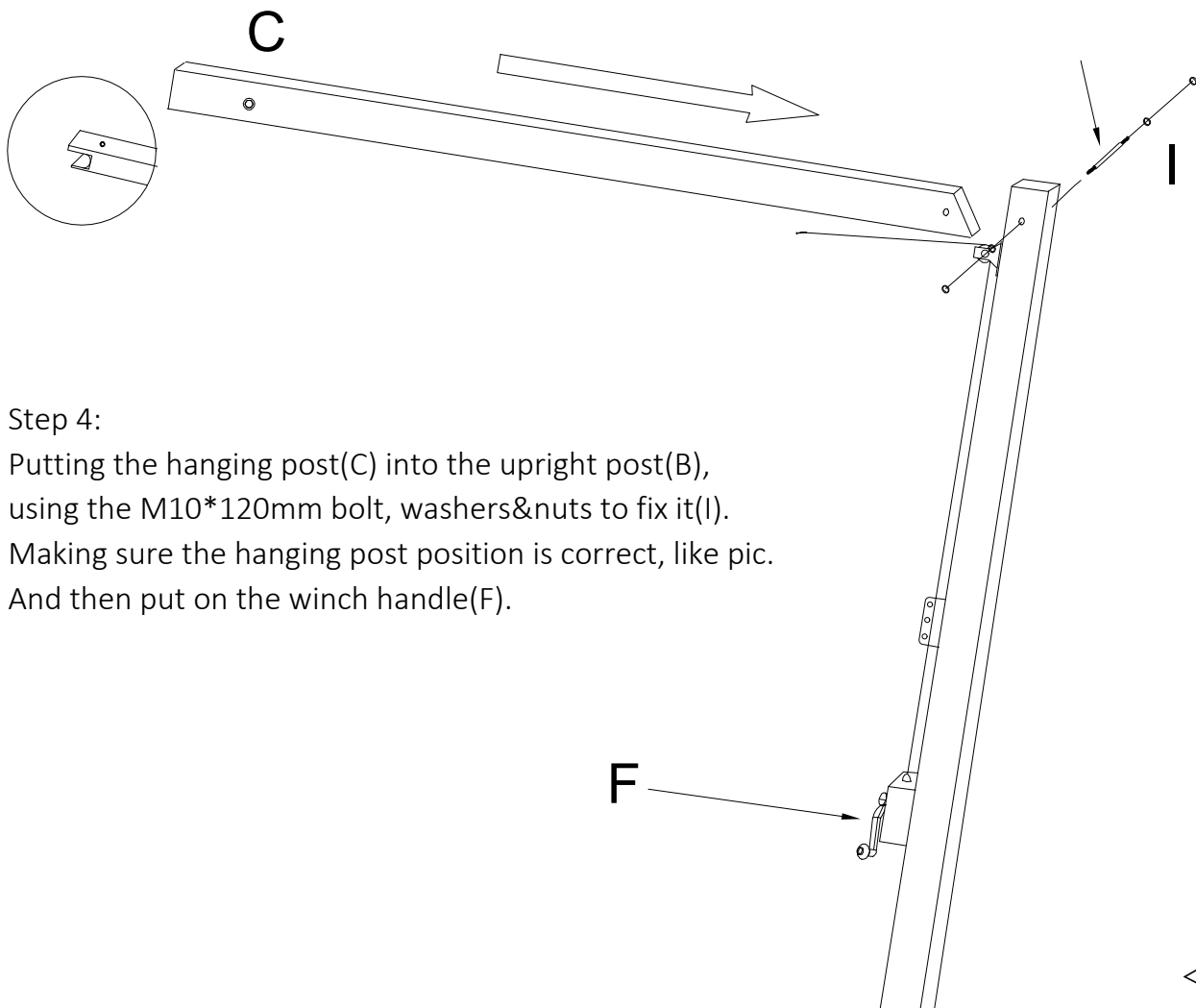
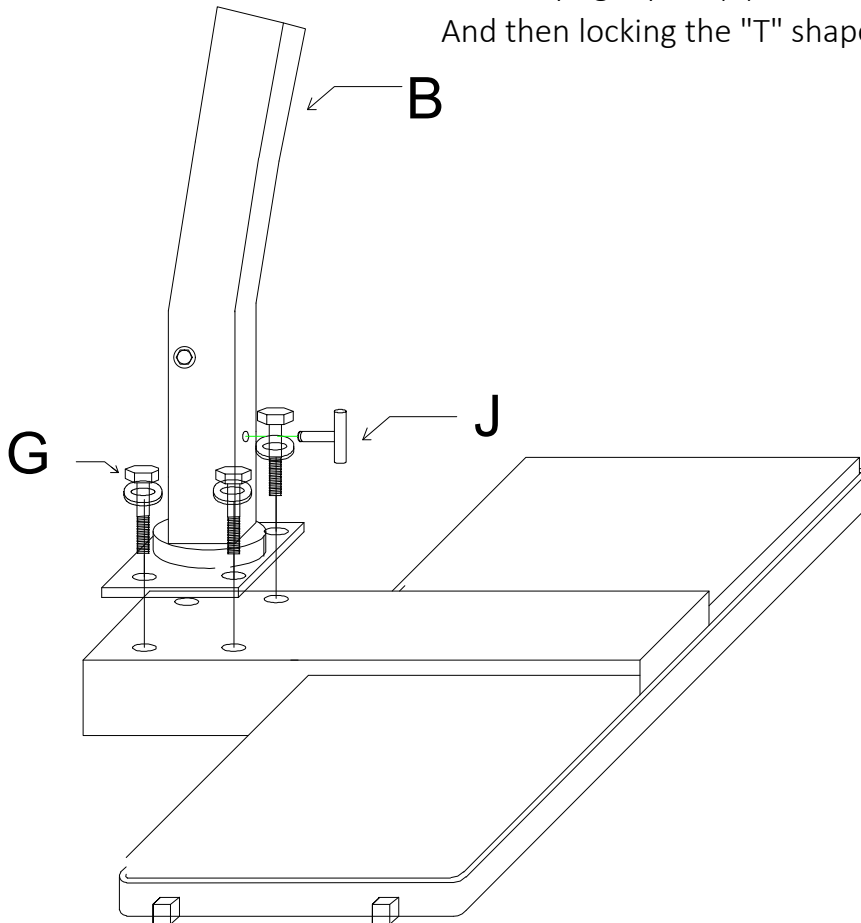
Once you confirmed the parasol position,  
putting the base into base's frame (D).

Parasol base/ballast not included.



Step 3:

Using the 4bolts and washers(G) to fix the upright post (B) into the base's metal frame (D),  
And then locking the "T" shape tightening bolt(J).

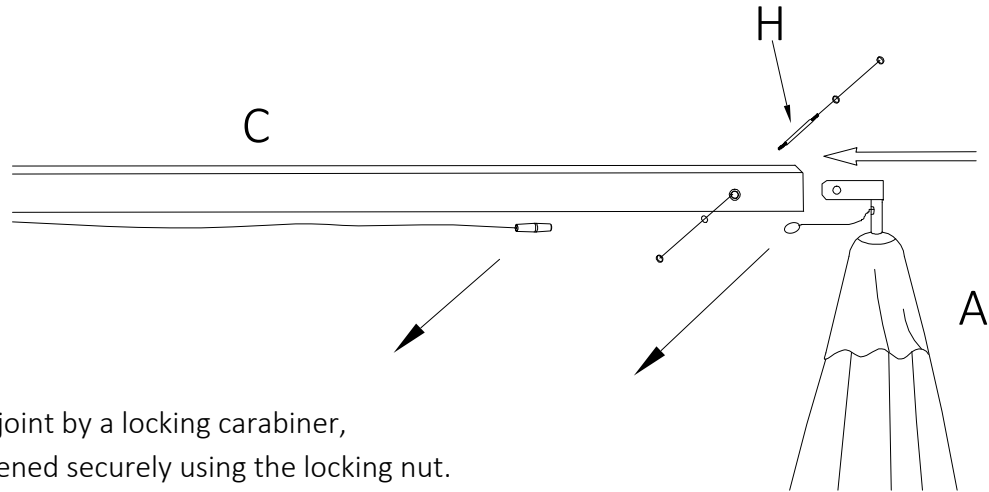


Step 4:

Putting the hanging post(C) into the upright post(B),  
using the M10\*120mm bolt, washers&nuts to fix it(I).  
Making sure the hanging post position is correct, like pic.  
And then put on the winch handle(F).

Step 5:

Raising up the parasol(A), putting into the hanging post(C), using the M10\*95mm bolt, washers&nuts(H) to fix it.

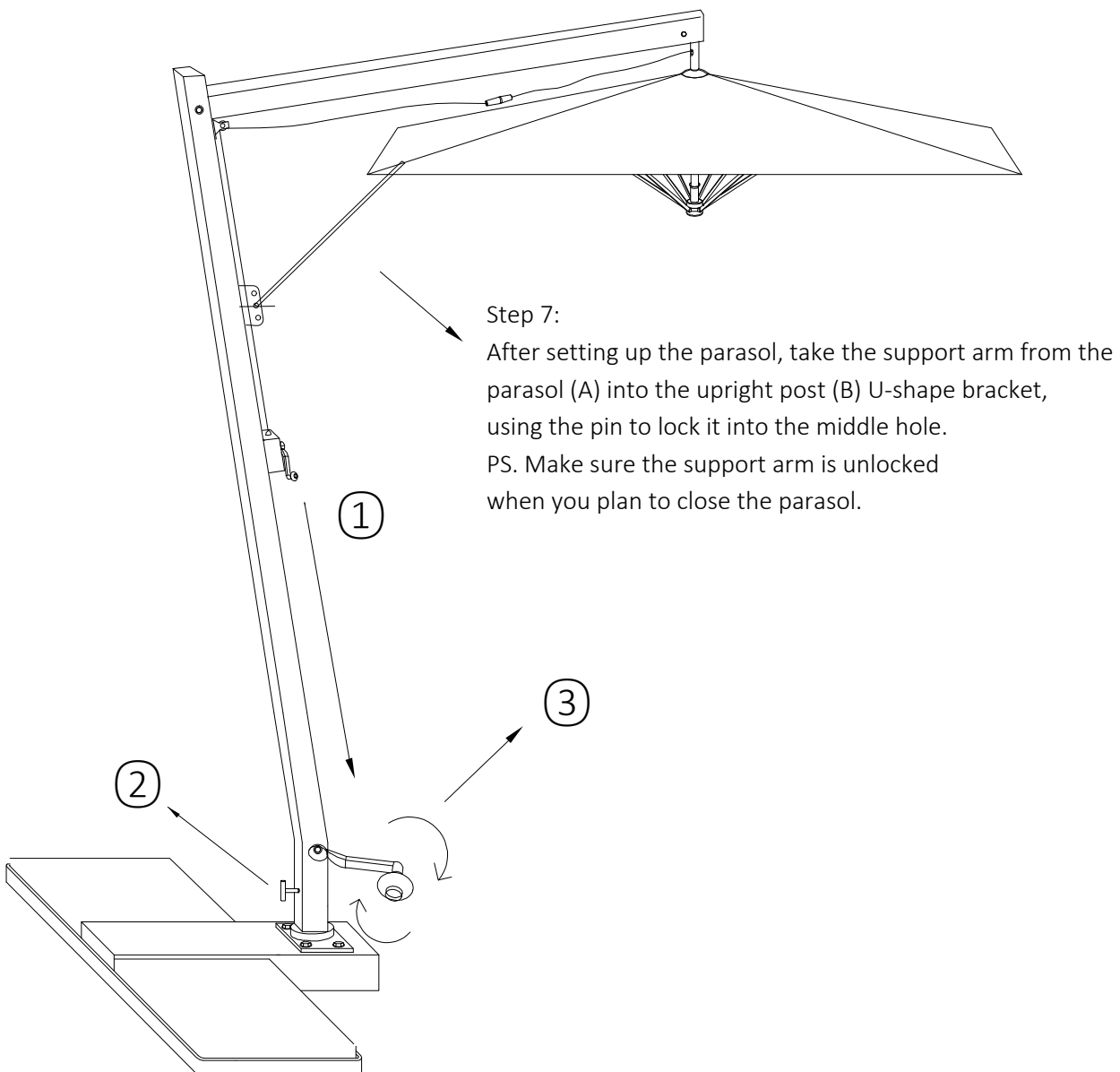


Step 6:

The wire loops are joint by a locking carabiner, which must be fastened securely using the locking nut. Finally, secure the end-cap on the end of the tube

Rotating Step:

- ① Take off the winch box handle, put into the upright pole's rotation hole;
- ② Unlocked the "T" shape tightening bolt in the upright pole;
- ③ Turning the handle, make sure the parasol in right position, locking back the "T" shape tightening bolt, and then take off the handle.



## Contact information

Austria



Belgium



Croatia



Denmark



Estonia



Finland



France



Germany



Ireland



Italy



Latvia



Lithuania



Nederland



Norway



Poland



Portugal



Spain



Sweden



Switzerland



UK

