

DANCOVER[®]



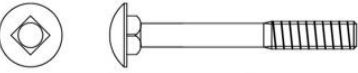




Manual

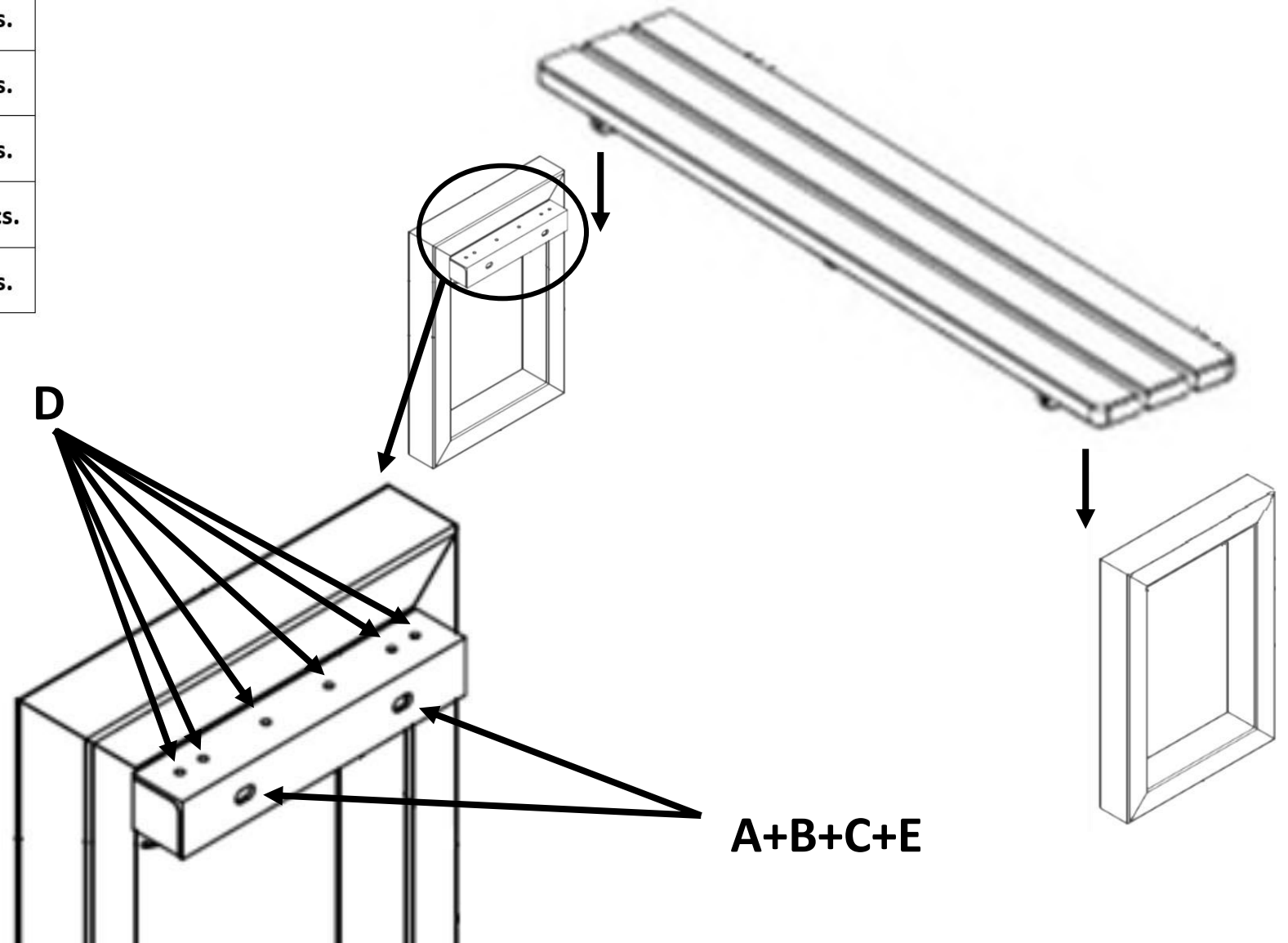
for

Picnic Table & Bench








1,66 x 0,6m / 1,5 x 0,3m

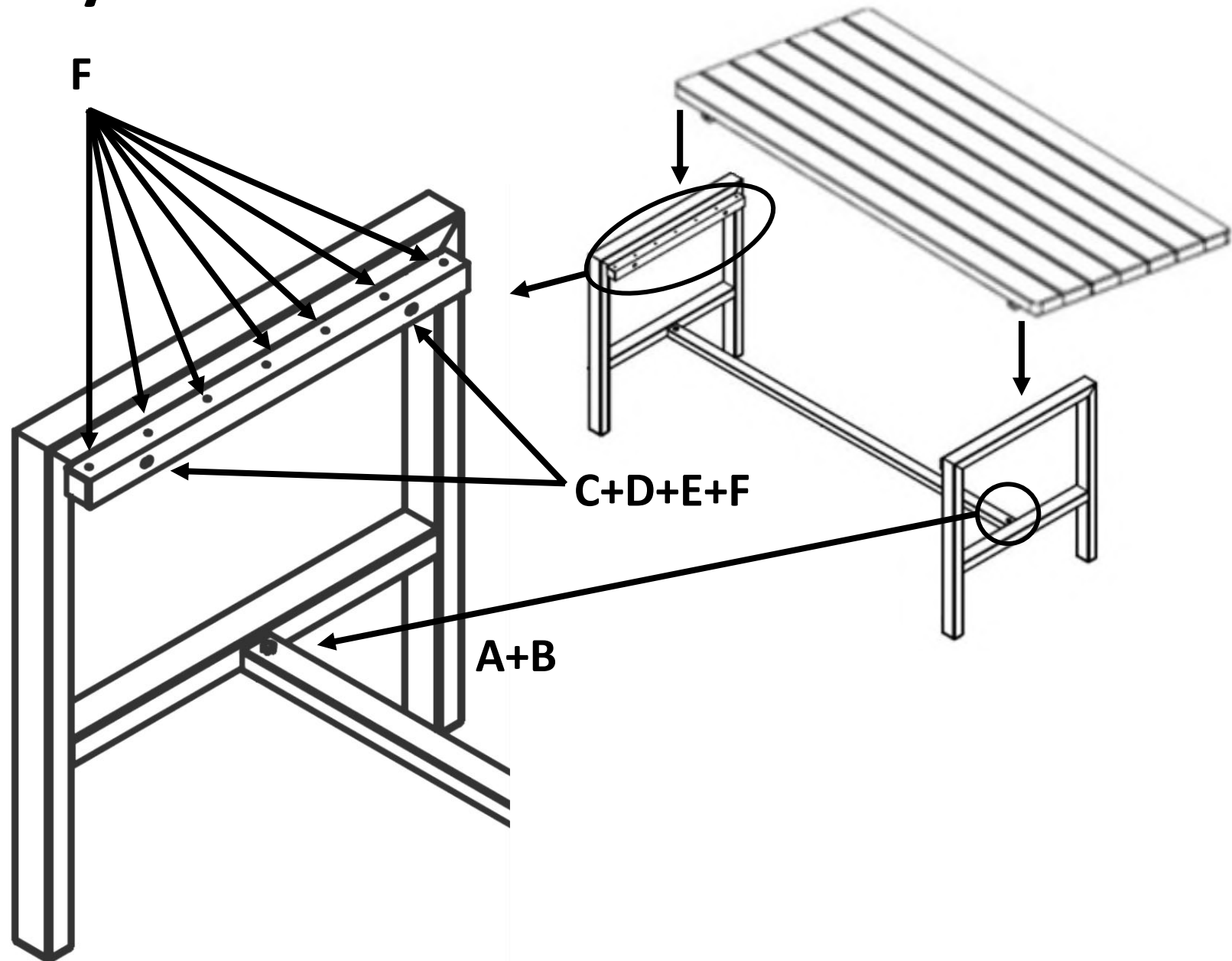
Assembly instruction – bench

A		M6 x 50	8 pcs.
B		M6	8 pcs.
C		M6	8 pcs.
D		M4 x 40	24 pcs.
E			1 pcs.



Assembly instruction – table

A		M8 x 45	2 pcs.
B		M8	2pcs.
C		M6 x 50	4 pcs.
D		M6	4 pcs.
E		M6	4 pcs.
F		M4 x 40	14 pcs.
G			1 pcs.



DANCOVER[®]

.com

Contact information

Austria



Belgium



Croatia



Denmark



Estonia



Finland



France



Germany



Ireland



Italy



Latvia



Lithuania



Nederland



Norway



Poland



Portugal



Spain



Sweden



Switzerland



UK



For more information please visit: www.dancovershop.com