

DANCOVER[®]



TITANIUM TENT
7X7X2,5X4,2m

DANCOVER[®]

.com

Safety Advice

Attention

In some countries approval is needed to set up a tent larger than 75 m².

The owner of the tent has the sole responsibility to make sure that these local rules are followed and that the mounting is correct.

In case of bad weather conditions, it is your responsibility to ensure that people inside are safe and that the tent does not cause damage to others.

Do not use open fire, welding equipment or other ignition sources in the tent. Though the fabric is made of flame retardant material it can still burn.

It is always recommended that you secure your tent properly with safety straps and augers when you put up the structure.

We recommend you to insure the tent, or check if it is covered by home contents insurance, in case of unplanned events, accidents or bad weather.

Tents are meant as temporary shelter and must be evacuated under extreme weather conditions.

This structure is not tested for specific snow and wind loads. That's why we always recommend to remove snow from the top.

Assembly Illustration

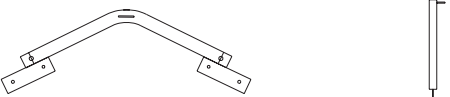

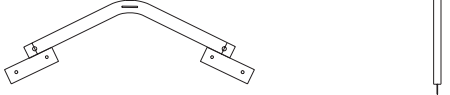



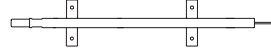


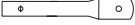


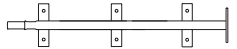
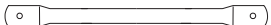
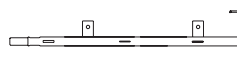

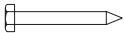

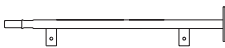


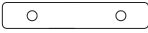
For “User Friendly” assembly we have identified each individual component with our part code number as indicated in the part list.

Please refer to the part code numbers and drawings to ensure problem free assembly.

PART LIST FOR 7x7x2,5x4,2m

Part No.	Description	Qty(pcs.)
1	Curved roof tube(top) at two ends & tube size:438.4mm	2
2	Curved roof tube(top) in the middle & tube size:438.4mm	3
3	Straight roof tube at two ends & tube size:1938mm	4
4	Straight roof tube in the middle & tube size:1938mm	6
5	Curved roof tube(side) at two ends & short tube size:383.3mm ,long tube:1448.3mm	4
6	Curved roof tube(side) in the middle & short tube size:383.3mm ,long tube:1448.3mm	6
7	Standing leg(in the middle) with base flange & tube size:2016.5mm	6
8	Standing leg(at two ends) with base flange & tube size:2016.5mm	4
9A-1	Upper standing leg in front panel & tube size:1366mm	2
9A-2	Upper standing leg in back panel & tube size:1366mm	2
9B	Lower standing leg in front panel with base flange & tube size:2016.5mm	2
9C	Lower standing leg in back panel with base flange & tube size:2016.5mm	2
10	Roof purlin and horizontal wall at both sides & tube size:1661.7mm	60
11A	Horizontal tube(at two ends) in front and back panel & tube size:1863.40mm	12
11B	Horizontal tube (in the middle)in front panel. & tube size:1477.50mm	2
11C	Tensioning cross tubes in top roof & tube size:2142mm	5
11D	Horizontal tube(in the middle) in back panel & tube size:1477.50mm	6
12	Door dropping tube & tube size: 1600mm	2
13	Slant supporting tube & tube size:1784mm	8
14	Roof cover	1
15	Front cover	1
16	Back cover	1
17	Stake peg & dia:16x700mm	28
18	rope for fixing cover	
19	Bolt and nuts M14x30	190
	M14x70	34
	M12x50	18
	M14x50	16
20	Inner joint for horizontal tube & tube size:178mm	3
21	Inner joint for part 11B and part 12. & tube size:400mm	2

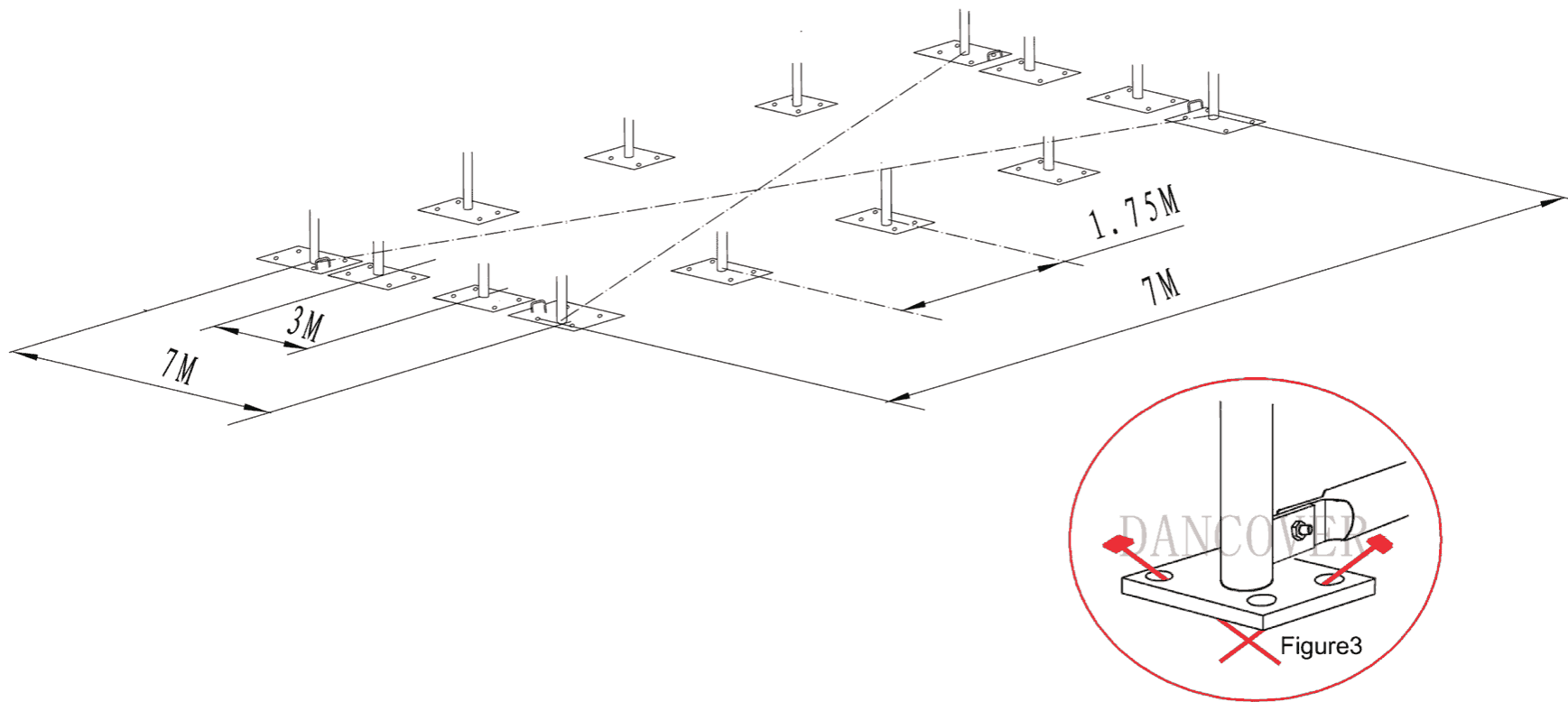
W7XL7XS2.5XH4.2M (with 3X3 machining door)

Part No.	Diagram	Qty	Part No.	Diagram	Qty
1		2	10		60
2		3	11A		12
3		4	11B		2
4		6	11C		5
5		4	11D		6
6		6	12		2
7		6	13		8
8		4	14. 15. 16	Roof/Front/Back cover	
9A-1		2	17		28
9A-2		2	18	Rope for fixing cover	
9B		2	19	M14X30/ 190 pcs M14X70/34 pcs M12X50/18 pcs M14X50/ 16pcs	
9C		2	20		3
			21		2

7X7X2.5X4.2

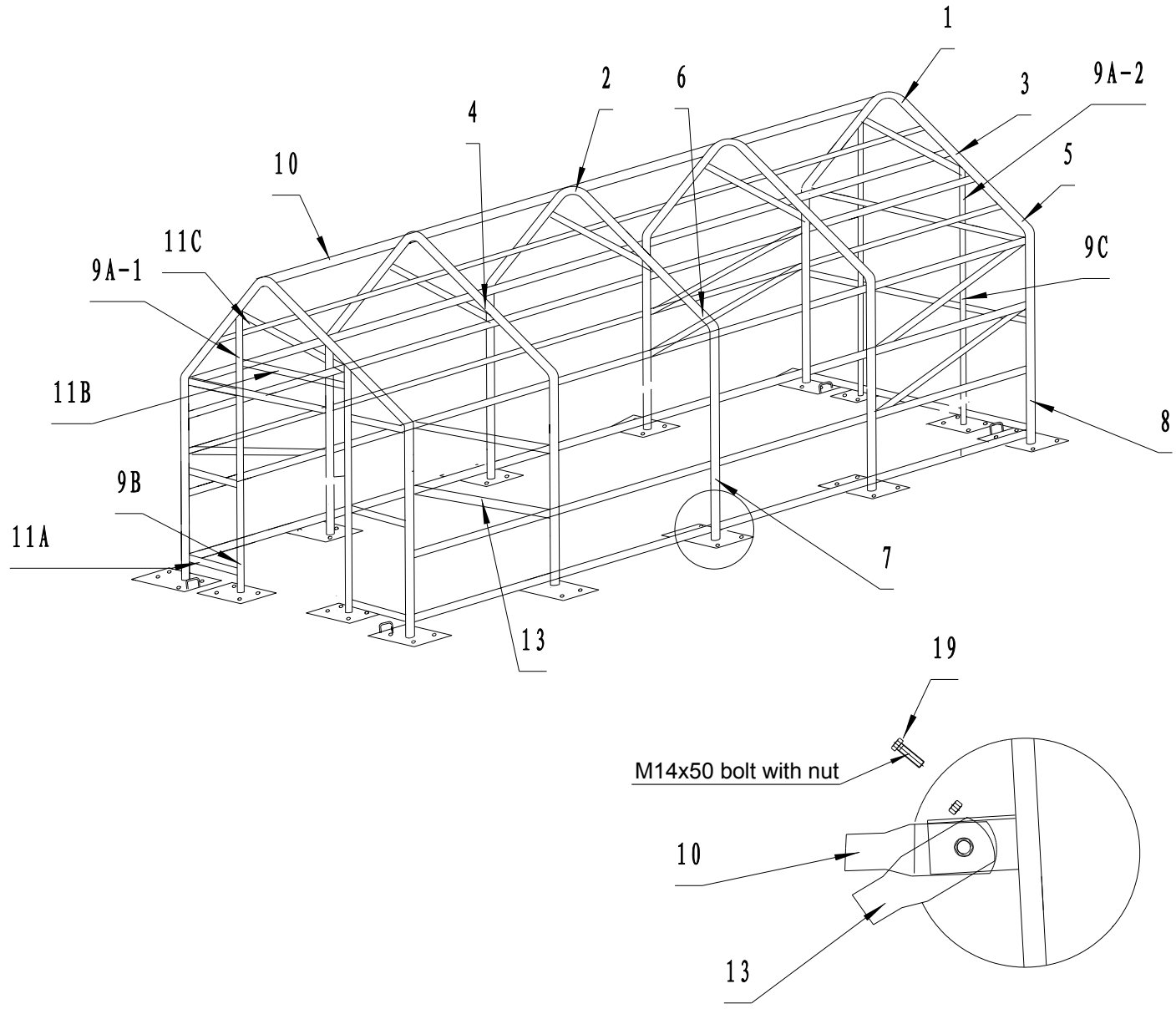
Step #1:

Place base plates as shown in figure #1. Make sure that diagonals are equal in length. Secure base plates with stake pegs. Make sure to use at least 2 stake pegs per base plate and drive them into the ground so they cross each other as shown in figure #3.



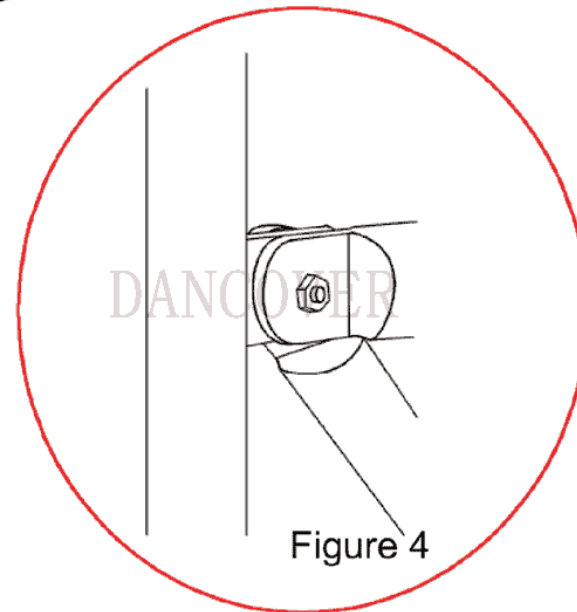
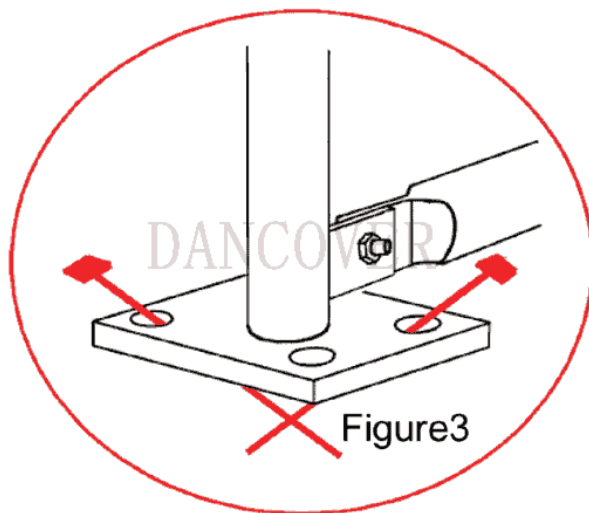
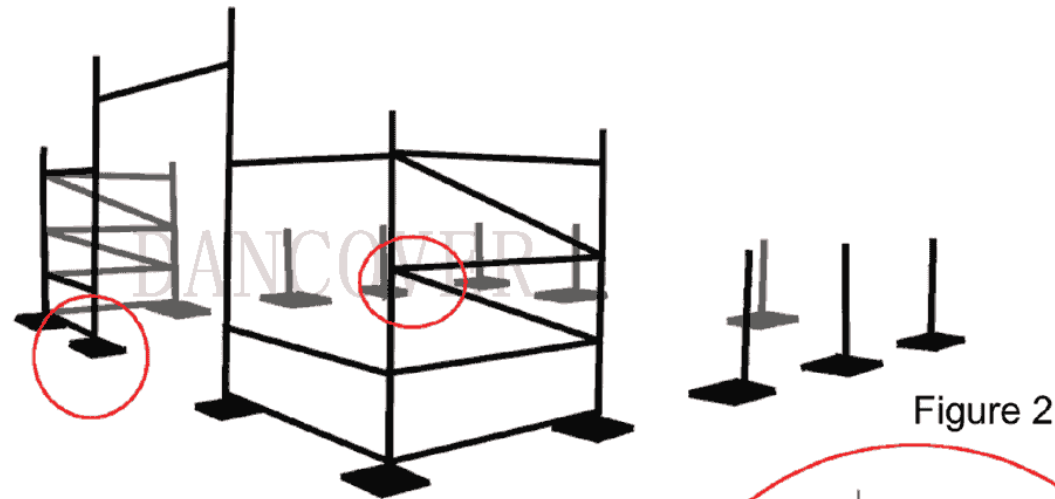
Frame Sketch

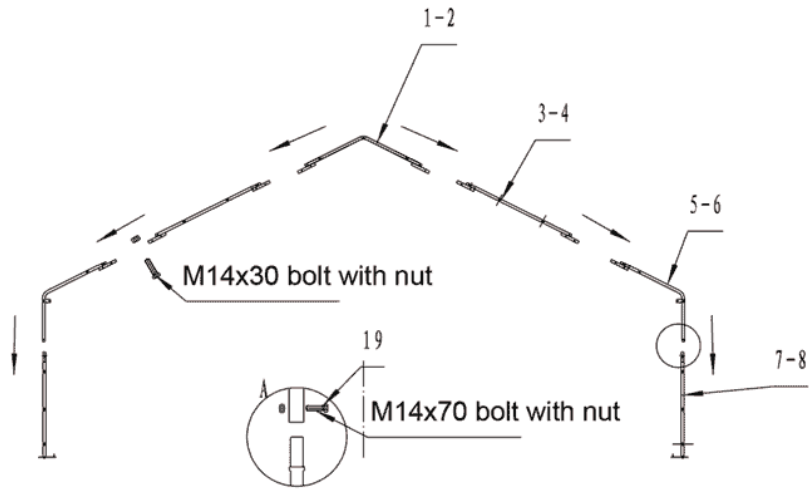
7X7X2.5X4.2



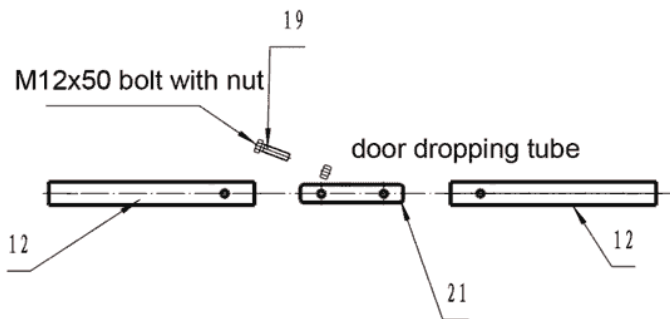
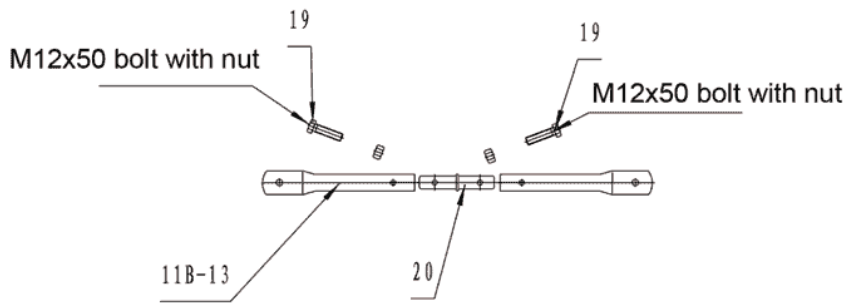
Step #2:

Assemble two sidewalls and connect them as shown in figure #2. Make sure that all bolts are secured tightly and placed from the outside and in, to avoid damage on the cover. Figure 3 and 4 shows how joints should be assembled, both shown from inside.





Door cross tube and Slanting support tube



Step #3:

Connect the two sidewalls with the curved roof tubes. Then connect these with the horizontal bars as shown in figure # 5. Figure #6 and #7 show how joints are supposed to be assembled.

Step #4:

Assemble the next two sidewalls in extension of the already erected sides as shown

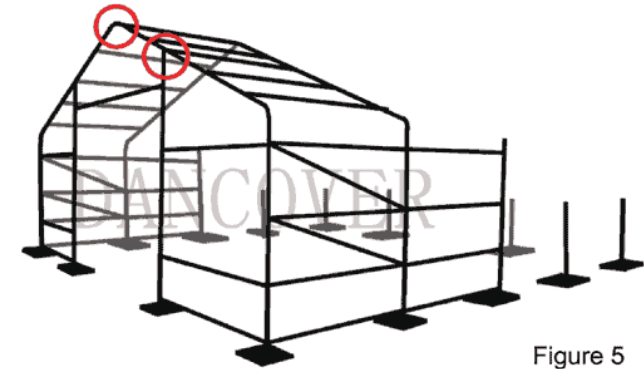


Figure 5

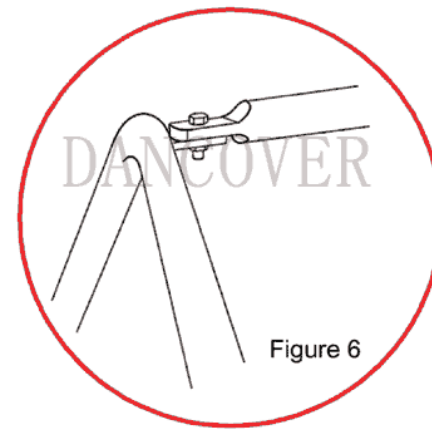


Figure 6

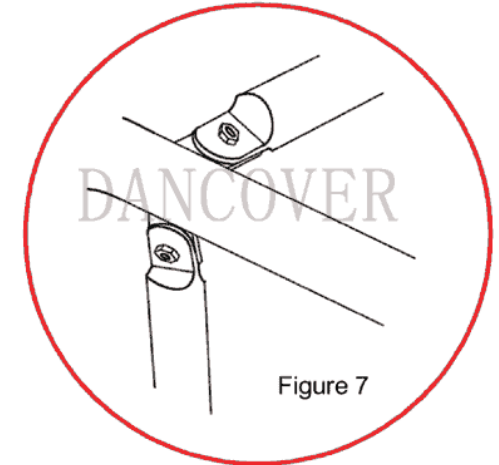


Figure 7

Mounting the Cover

IMPORTANT:

DO not attempt to install cover in windy conditions.

Step # 5

Repeat steps #3 and #4 until the entire frames has been erected. Note that you have to install windcrosses in the sidewall sections closest to the corners. (see Figure #4). It should look like figure #8.

Step #6:

Make sure that all bolts are inserted from the outside in before proceeding with the cover. Make sure all foot plates are secured to the ground.

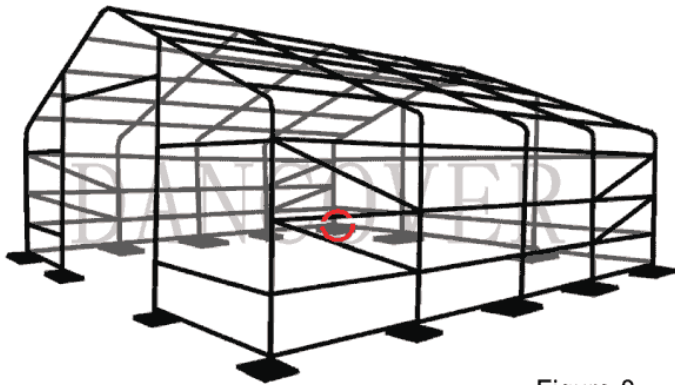


Figure 8

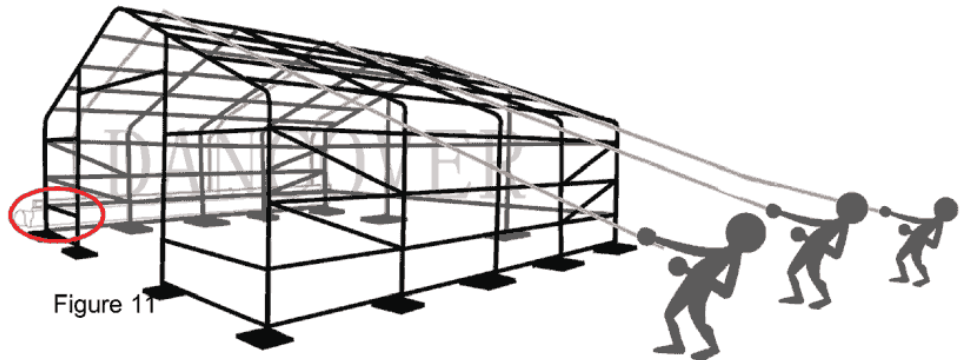


Figure 11

Step #7

Tie in a crossbeam in one side of the cover. as shown in figure # 10.

Step #8

Pull the cover over the top of the structure using 3 ropes tied to the crossbeam.

See figure # 11

Step #9:

Make sure that the cover sits on evenly on both sides of the frame.

Step #10:

Tie the cover to the bottom tensioning bar. Make sure that it is tightened.

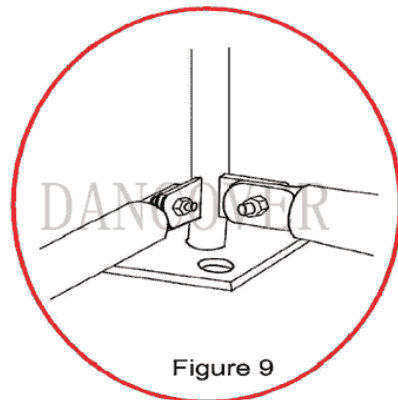


Figure 9

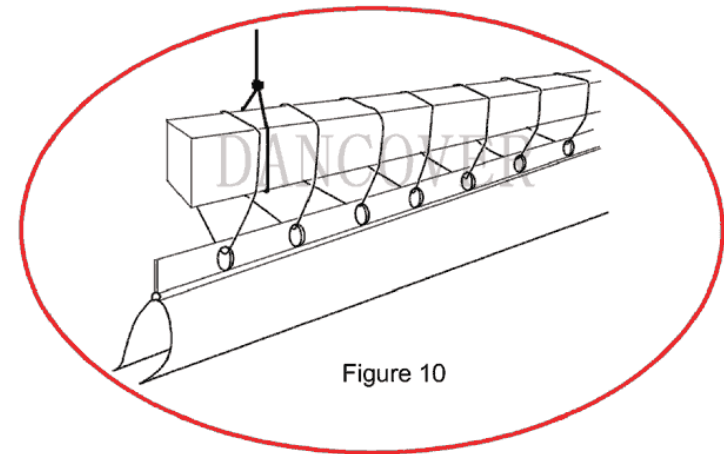
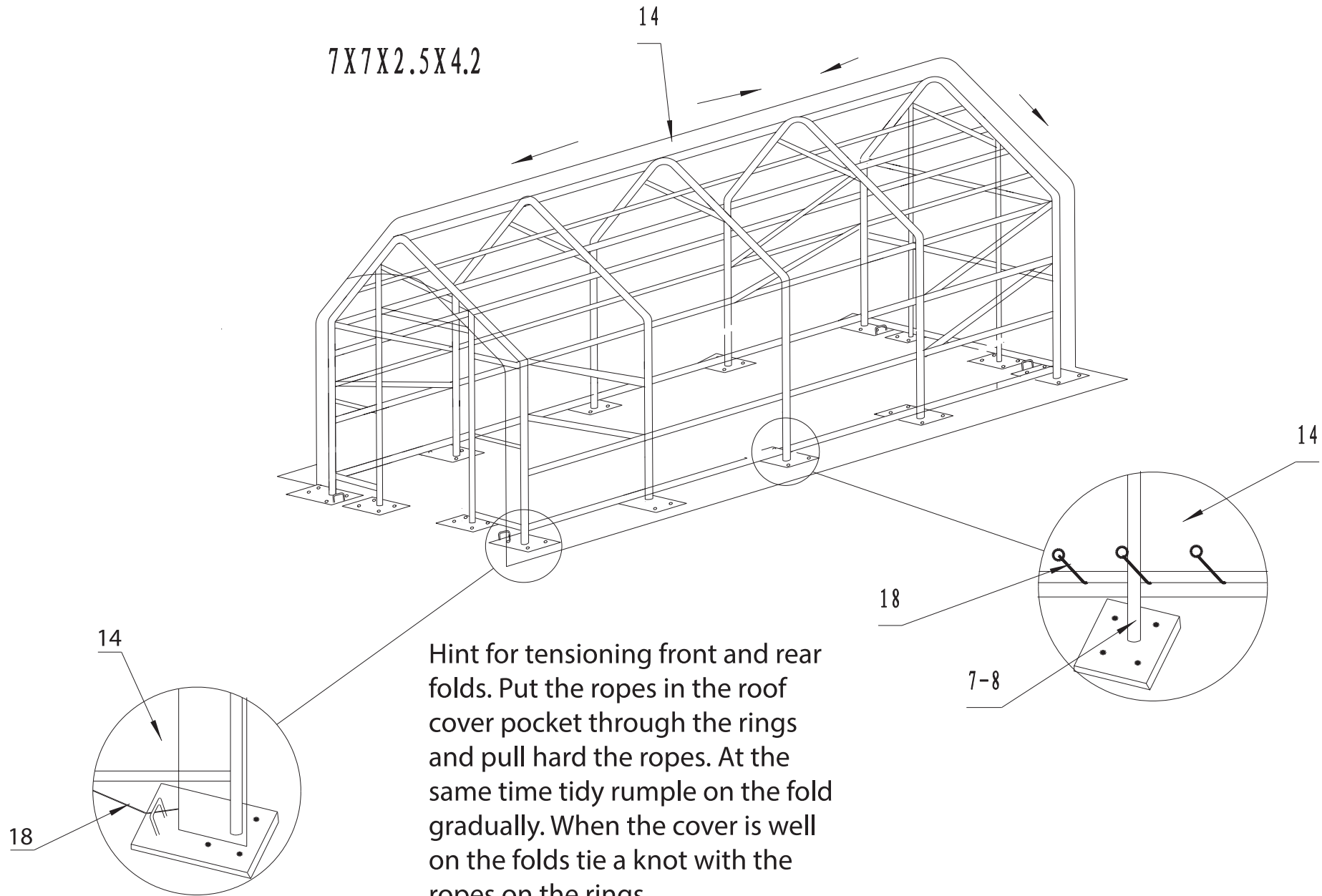


Figure 10

Illustration for installation and tensioning for both sides of the roof cover



Step # 11:

Mount the front and the back cover by weaving the rope around the bars as shown in figure # 12 and # 13. Do the same with the roof cover. Make sure to use one rope for each covers.

Step # 12:

Make sure that the edge of the roof cover overlaps the front/back cover (over the end bars) as shown in figure #14. Slide a rope through the end sleeves and tighten the rope through the hoops of the corner footplates.

Step # 13:

Make sure all ropes are secured and tight.

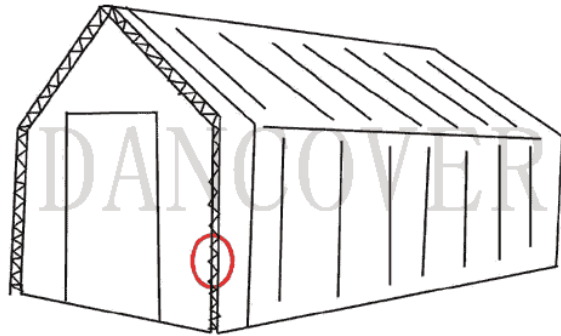


Figure 12

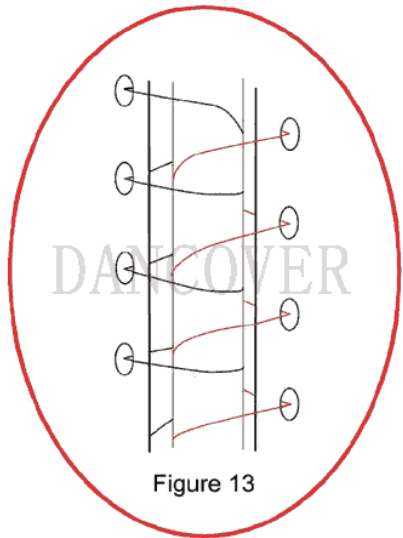


Figure 13

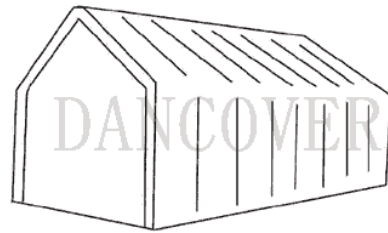
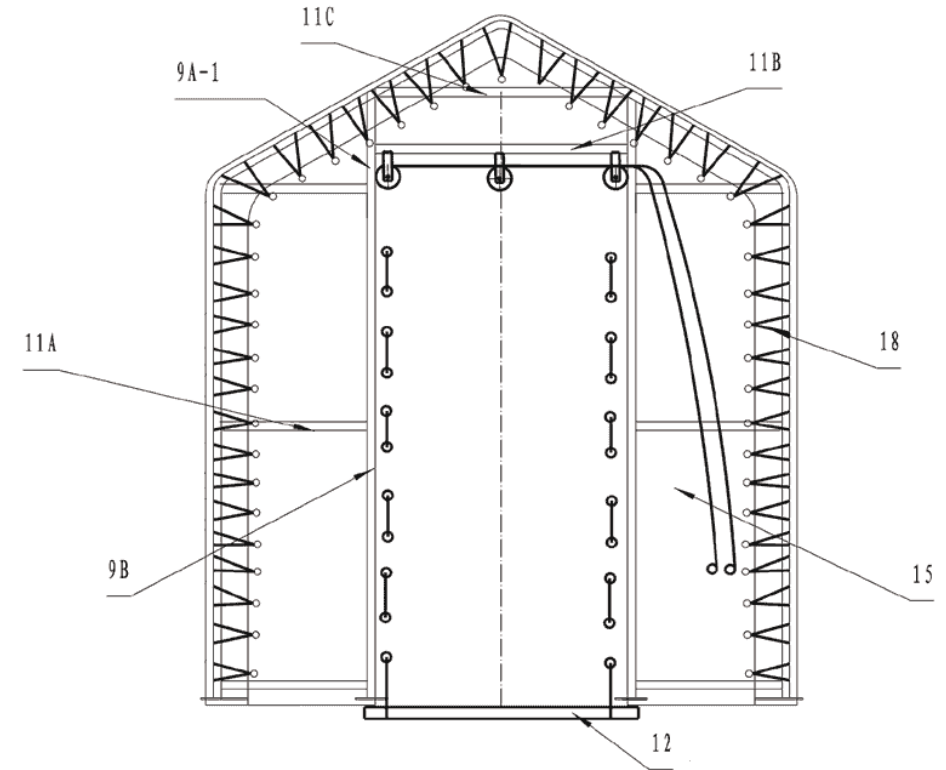


figure 14

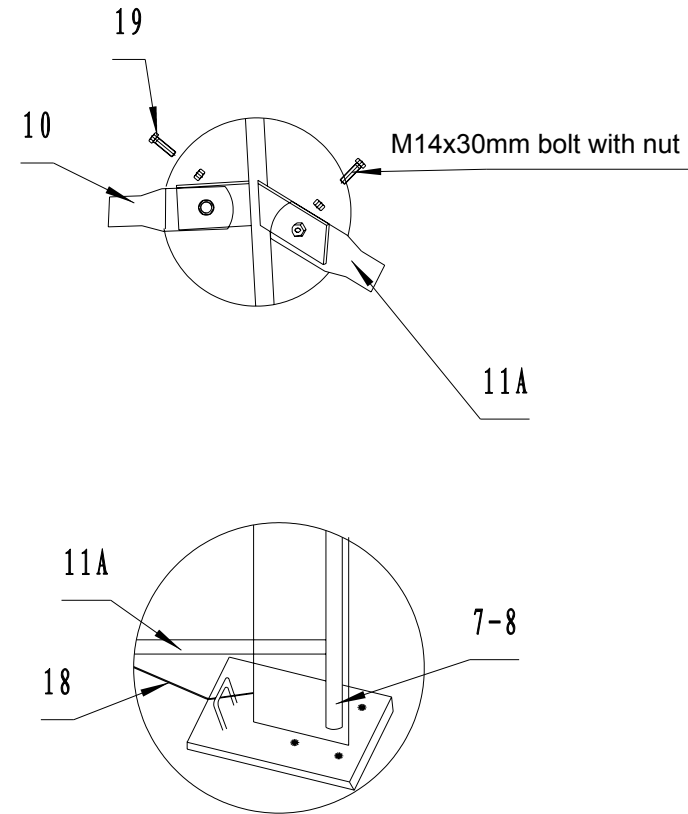
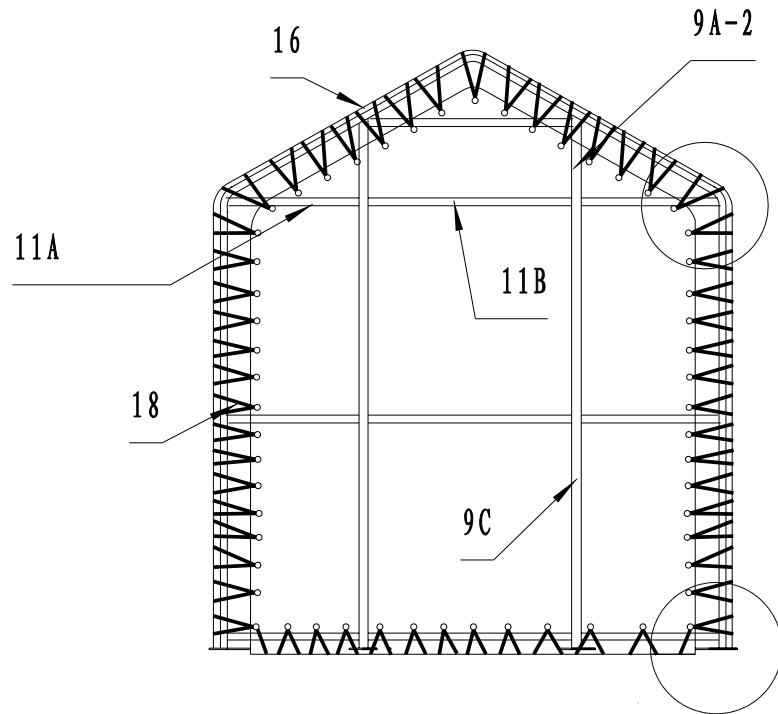
1. pls fix the edges of front cover to the frame by rope as figure 7 shows and insert the door dropping tubes into the bottom pocket of front cover
2. Pls put the rope in the left eyelets through the tackles on the cross tube and drop it down on the right tackle.
3. When you want to open the door ,firstly pls open the velcro and go into the tent. Then pls pull the two ropes on right to raise the door.
When the door is raised to top pls bind the two ropes to standing legs.



Hint for tensioning cover to frame

Both sides and top part of rear cover are tightened to the frame by rope.

The bottom part of rear cover is fastened to the tensioning tube by rope.



Contact information

Head office:

Dancover A/S
Nordre Strandvej 119 G
3150 Hellebæk
Denmark

For more information
please visit:
www.dancovershop.com

National contact

Denmark:
denmark@dancover.com

UK:
uk@dancover.com

Germany:
germany@dancover.com

France:
france@dancover.com

Sweden:
sverige@dancover.com

Finland:
suomi@dancover.com

Poland:
polska@dancover.com

Luxembourg:
luxembourg@dancover.com

Spain:
espana@dancover.com

Italy:
italia@dancover.com

Switzerland:
schweiz@dancover.com

Austria:
austria@dancover.com

Norway:
norge@dancover.com

Nederland:
nederland@dancover.com

Ireland:
ireland@dancover.com

Belgium:
belgique@dancover.com