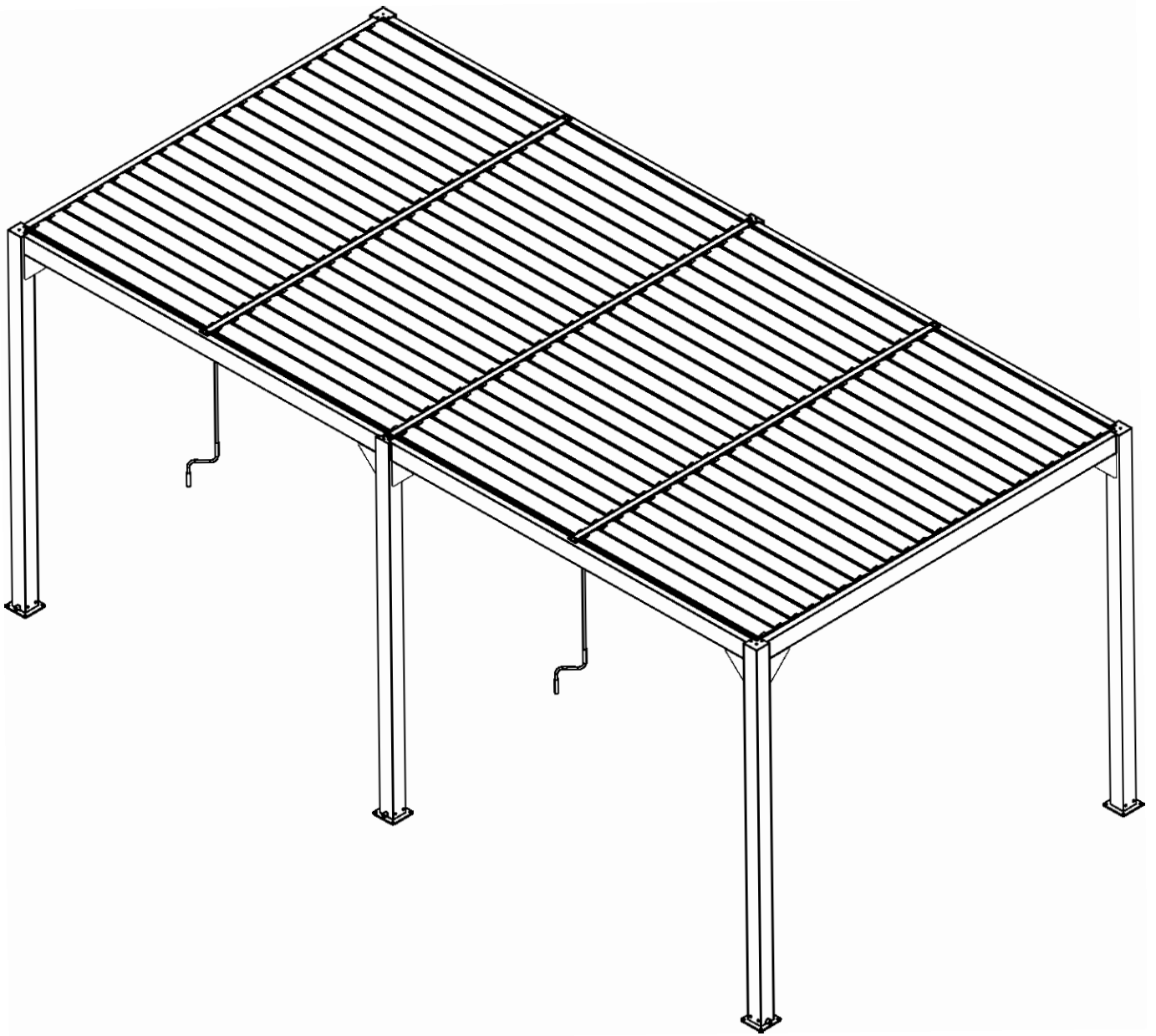


DANCOVER[®]

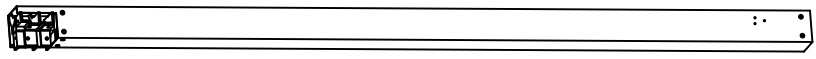
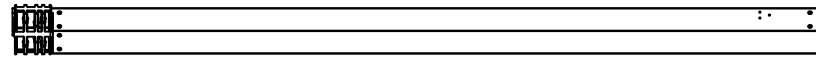
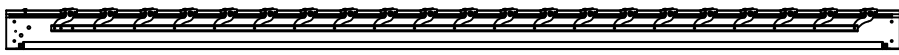





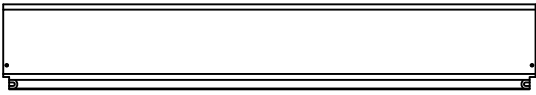
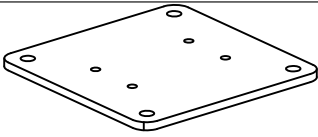
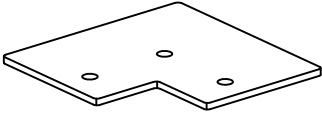
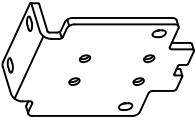
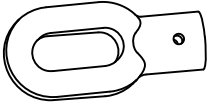

.com

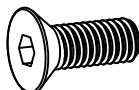
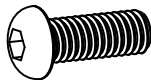


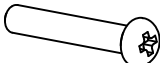


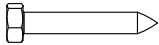


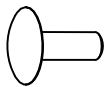
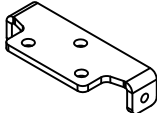
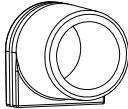
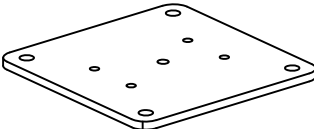
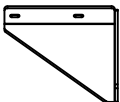

Manual
for
Gazebo San Pablo
3x5,8m and 4x5,8m

Manual Instruction



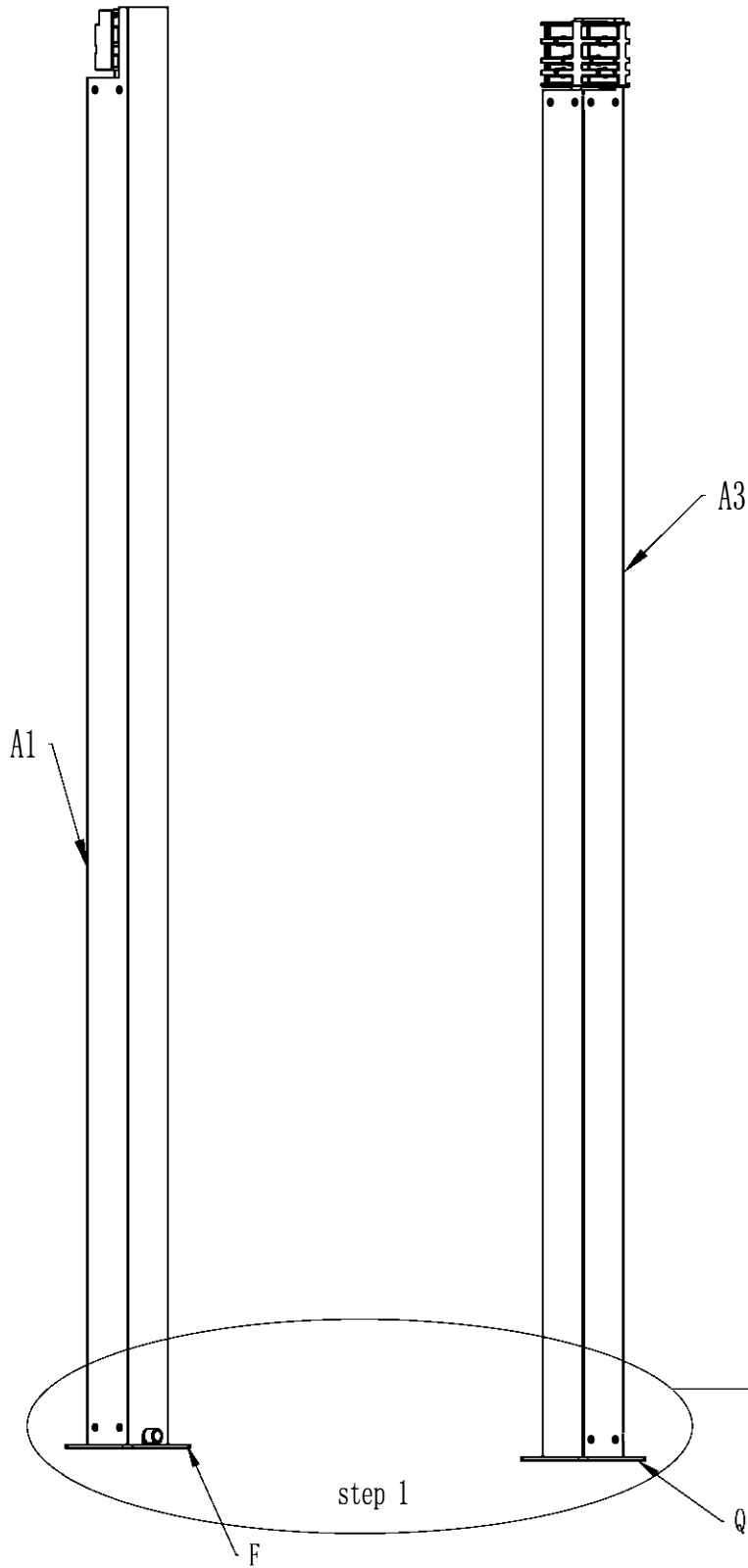
Parts list Table

Label No.	Part description	Drawing	Qty
A1	Column I		4
A3	Column II		2
B1	Beam (Left)		1
B2	Beam(Right)		1
C1	Front and rear beam I		2
C2	Front and rear beam II		2
D1	Middle beam with gear box		2
D2	Middle beam		1
E	Louver		6*3=88 8*3=88 6*4=120 8*4=120
F	Column bottom plate		4
G	Column cover plate		4
H	Connectors for middle beams		6
I	Hinge ring		4
J	Hand crank		2

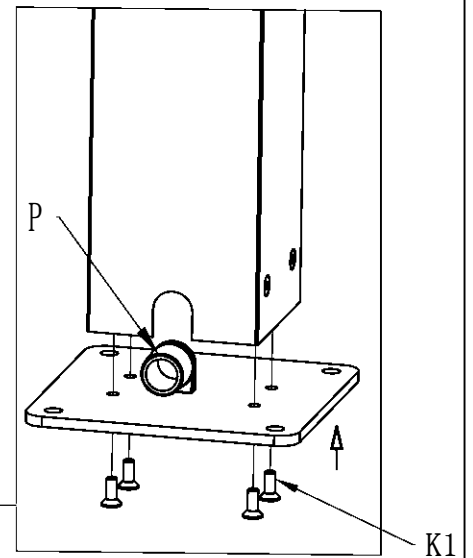
Label No.	Part description	Drawing		Qty
K1	Countersunk head screw		M6x16	76
K2	Pan head screw		M6x16	42
K3	Flat washer		∅6x16	24
K4	Screw+nut	 	M4x20+M4	4
K5	Flat washer		∅8	24
K6	Self-drilling screw		ST4. 2x25	48
L	Woodworking screw+ plastic expansion pipe	 M8*75	 ∅10*50	24
M	Glass glue			2
N	Plastic jam			6*3=176 8*3=176 6*4=240 8*4=240
O	Cover plate for middle column			2
P	Drainage outlet			6
Q	Bottom plate for middle column			2
R	Corner support			12
S	Screw cover			24

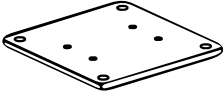
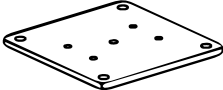
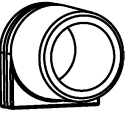
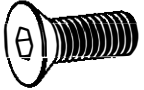
Please Note: R and K6 is an optional..., if you do need install them, please refer to the last pages first.

The R and K6 should be removed if you need to install the screen set.



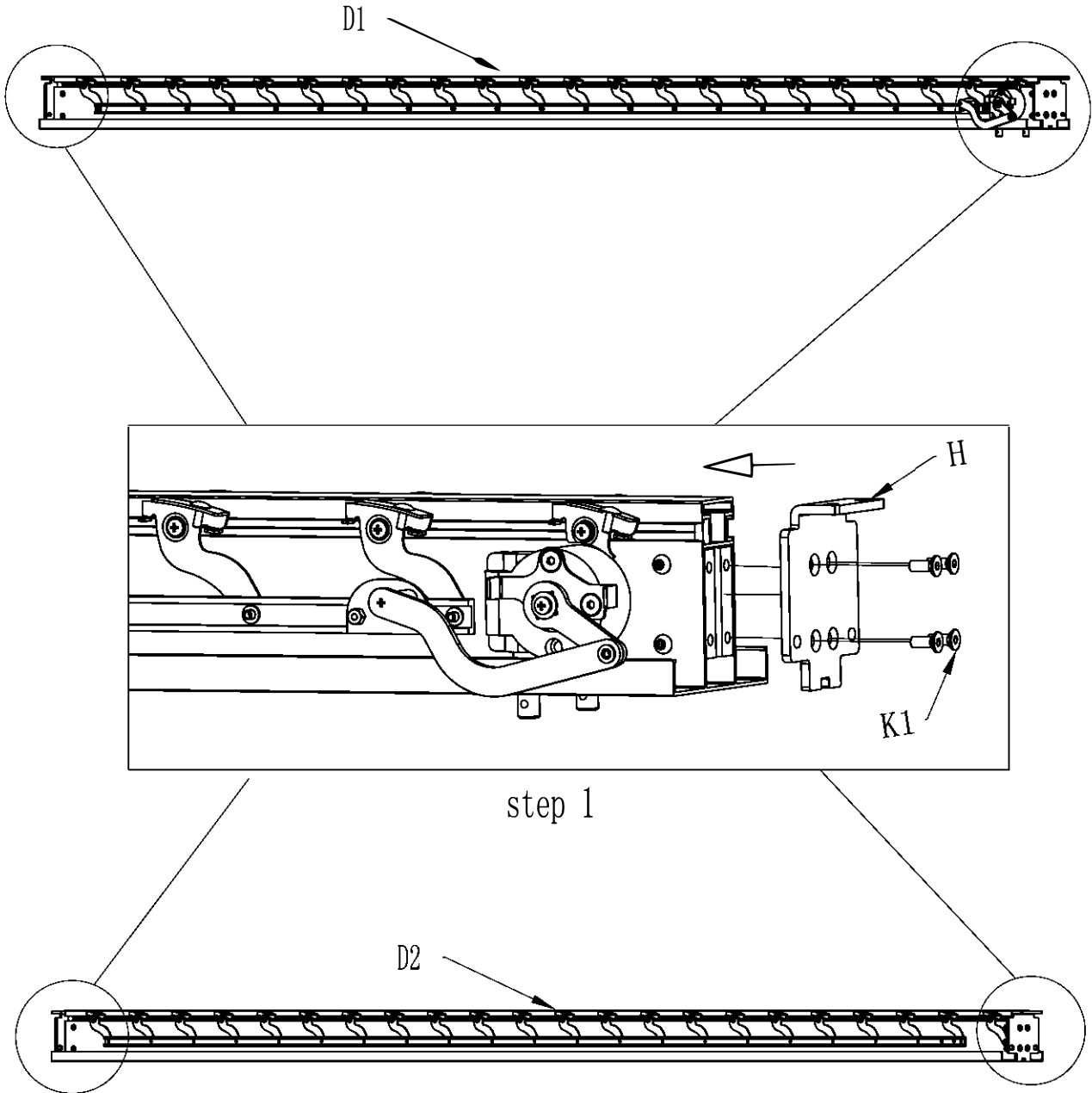
1. Clamp the drainage outlet P into the column slot, then connect the bottom plate F/Q on the column A1/A3, and tighten with K1 screws.

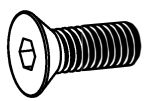
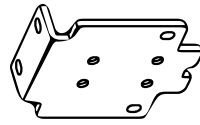


F		QTY: 4PCS	Q		QTY: 2PCS
P		QTY: 6PCS	K1	 M6X16	QTY: 24PCS

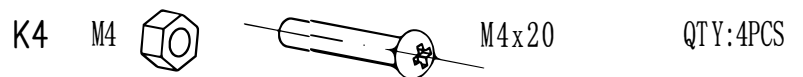
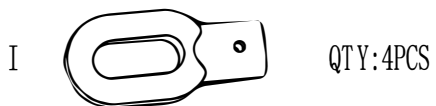
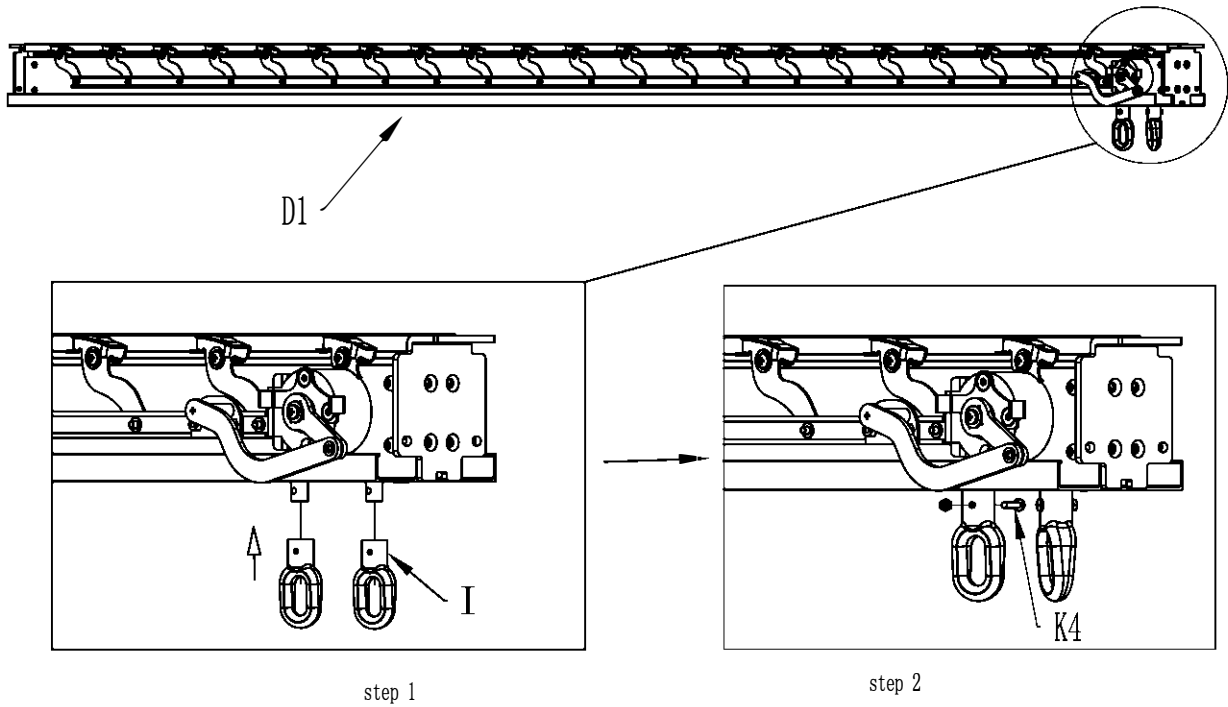
2. Place the connector H on one side of middle beam D1/D2, then tighten it with K1 screws; complete the other side of middle beam D1/D2 accordingly.

Complete three beams with connector H accordingly

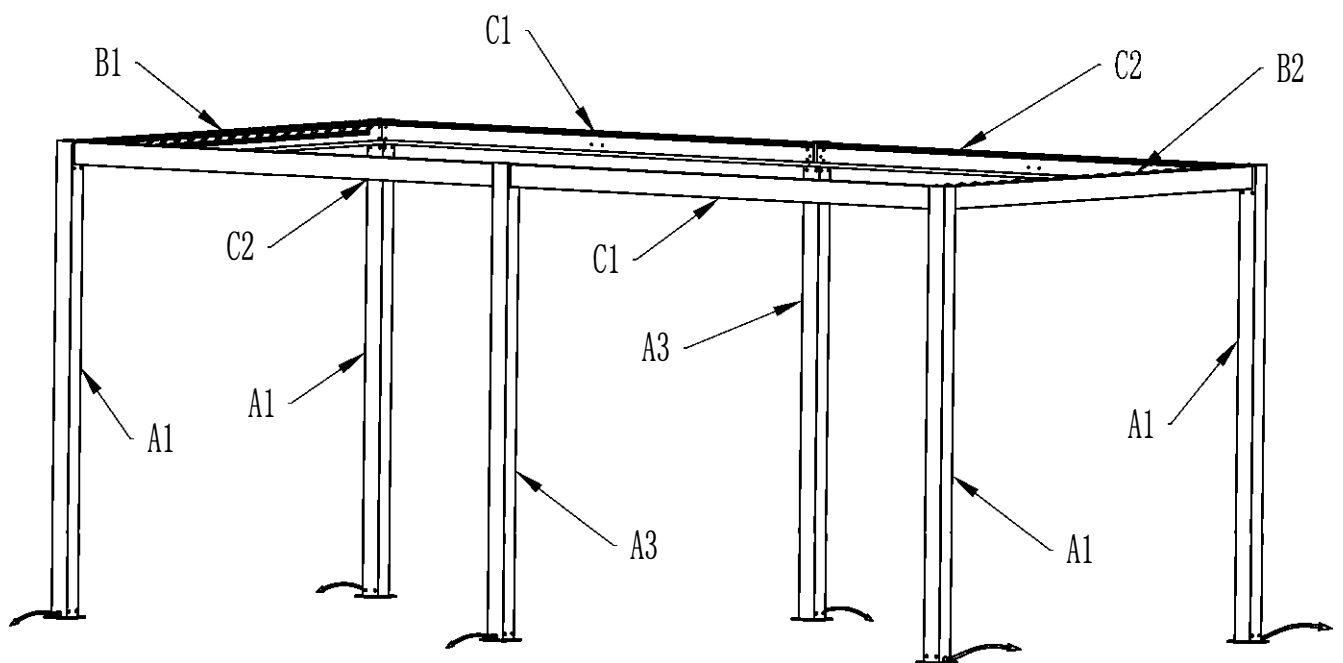


K1	 M6X16	QTY: 24PCS	H		QTY: 6PCS
----	--	------------	---	--	-----------

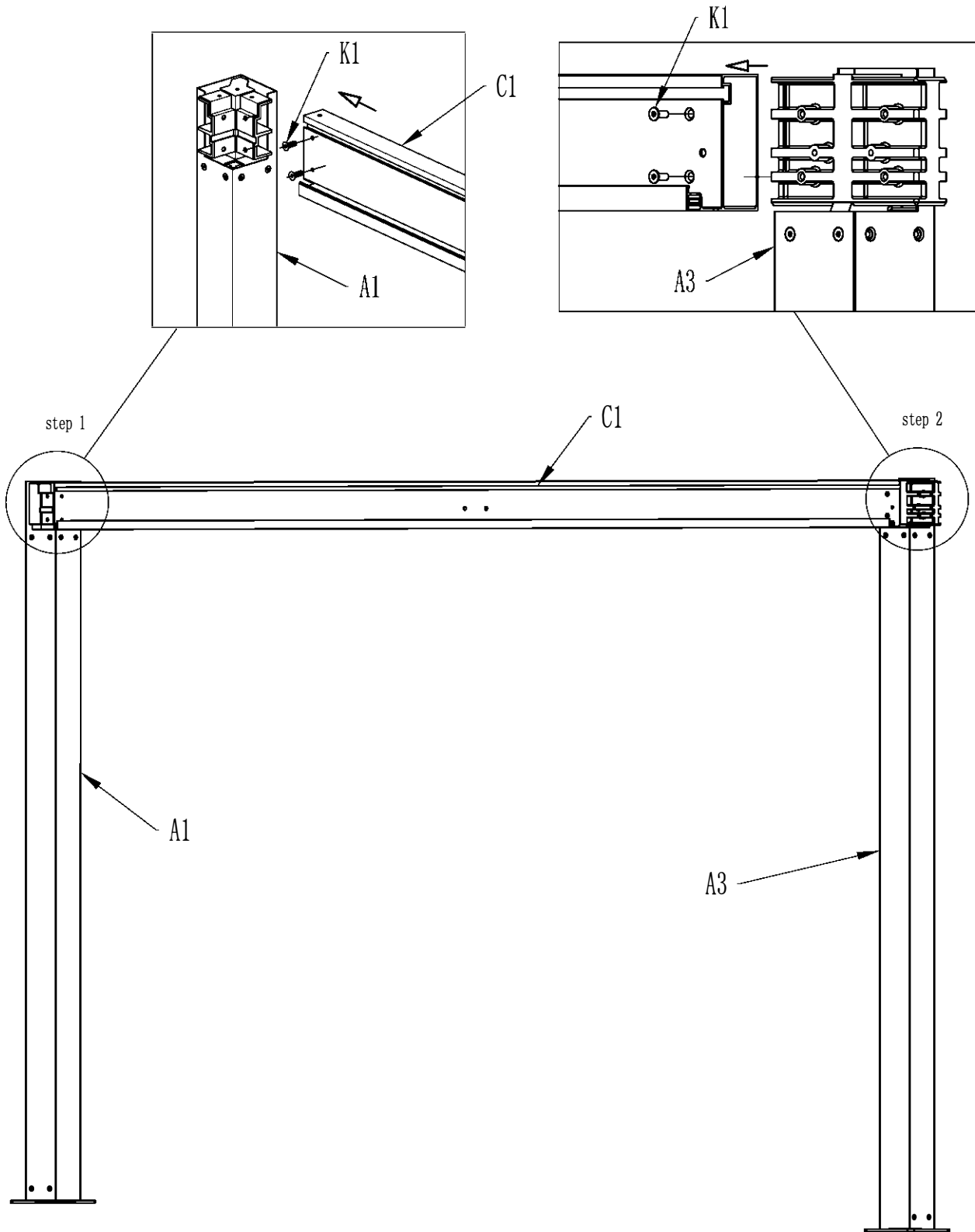
- Put two hinge rings I into the gearbox drive shaft on the beams D1, then tighten them with K4 screws + nuts.



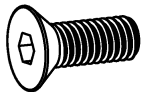
4. Place the columns and beams as shown in the below drawing



5. The two ends of the front and rear beam C1 must be inserted into the corner connectors of columns A1 and A3; then tighten them with K1 screws.



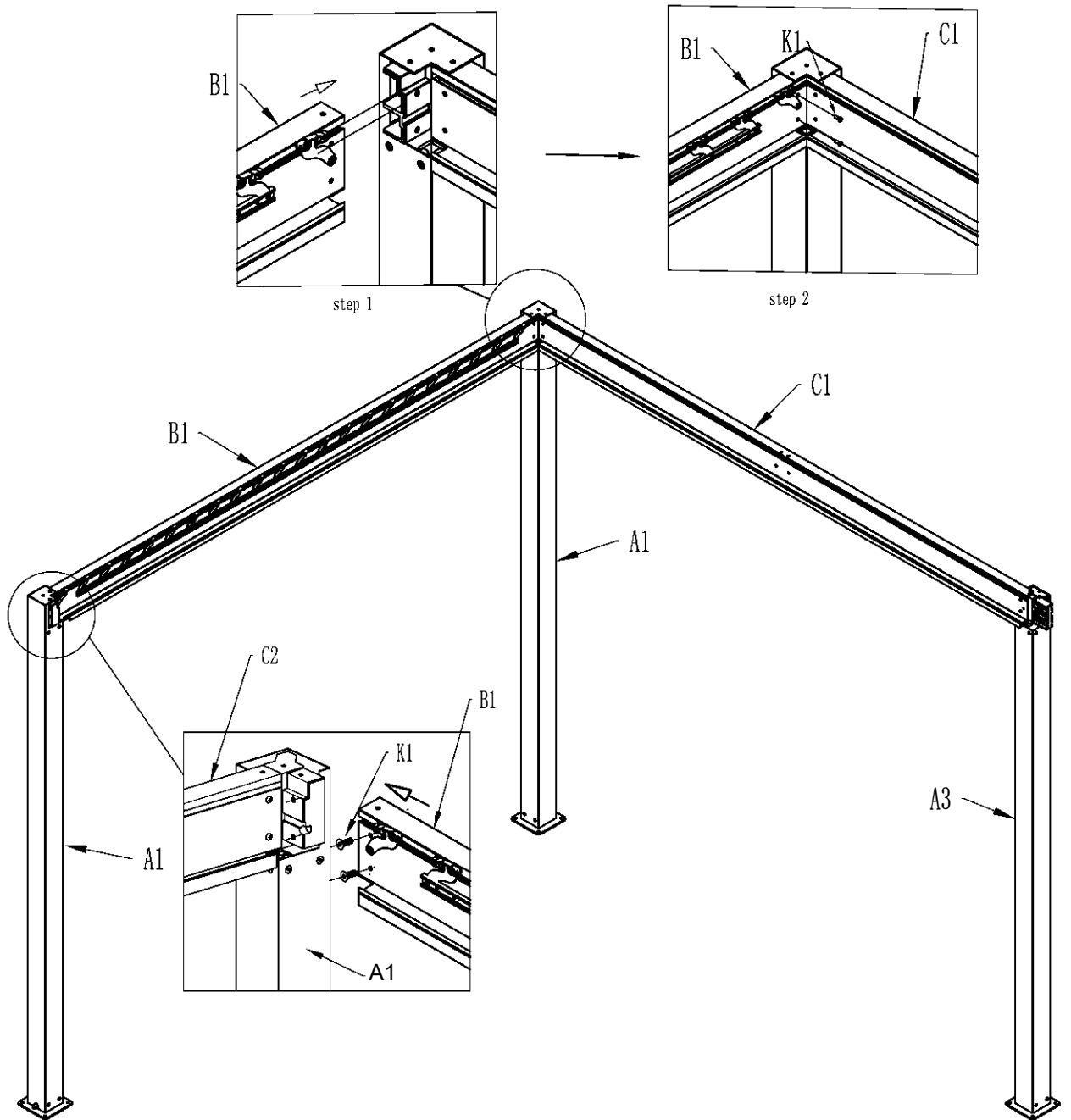
K1



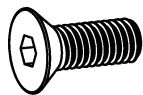
M6X16

QTY: 4PCS

6. In the same way, the ends of left and right beams B1 must be inserted into the corner connectors of the column A1, then tighten them with K1 screws.



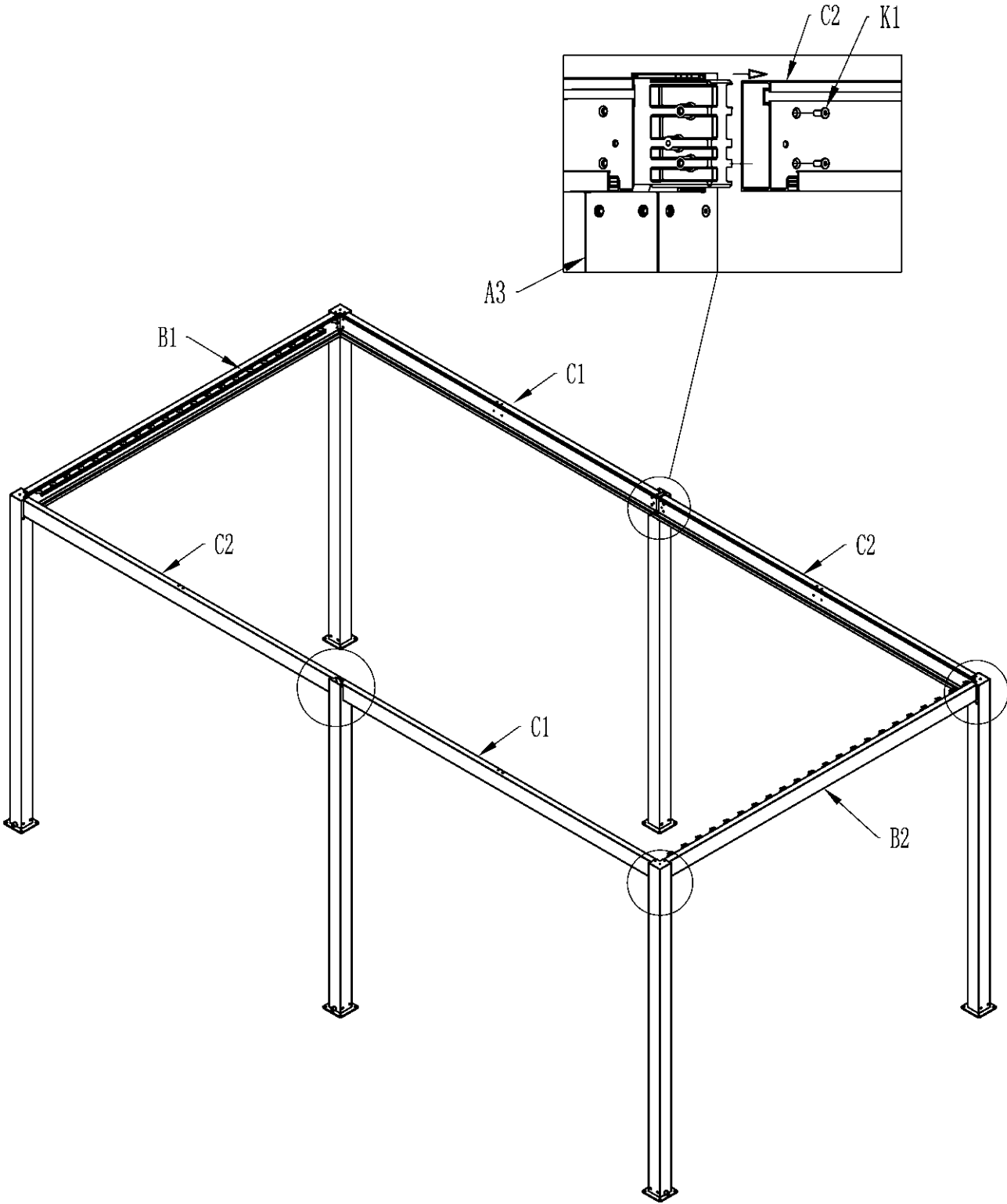
K1



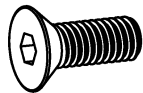
M6X16

QTY: 4PCS

7. According to the step 5 and 6, insert other beams with the corner connector of columns, then tighten them with K1 screws.



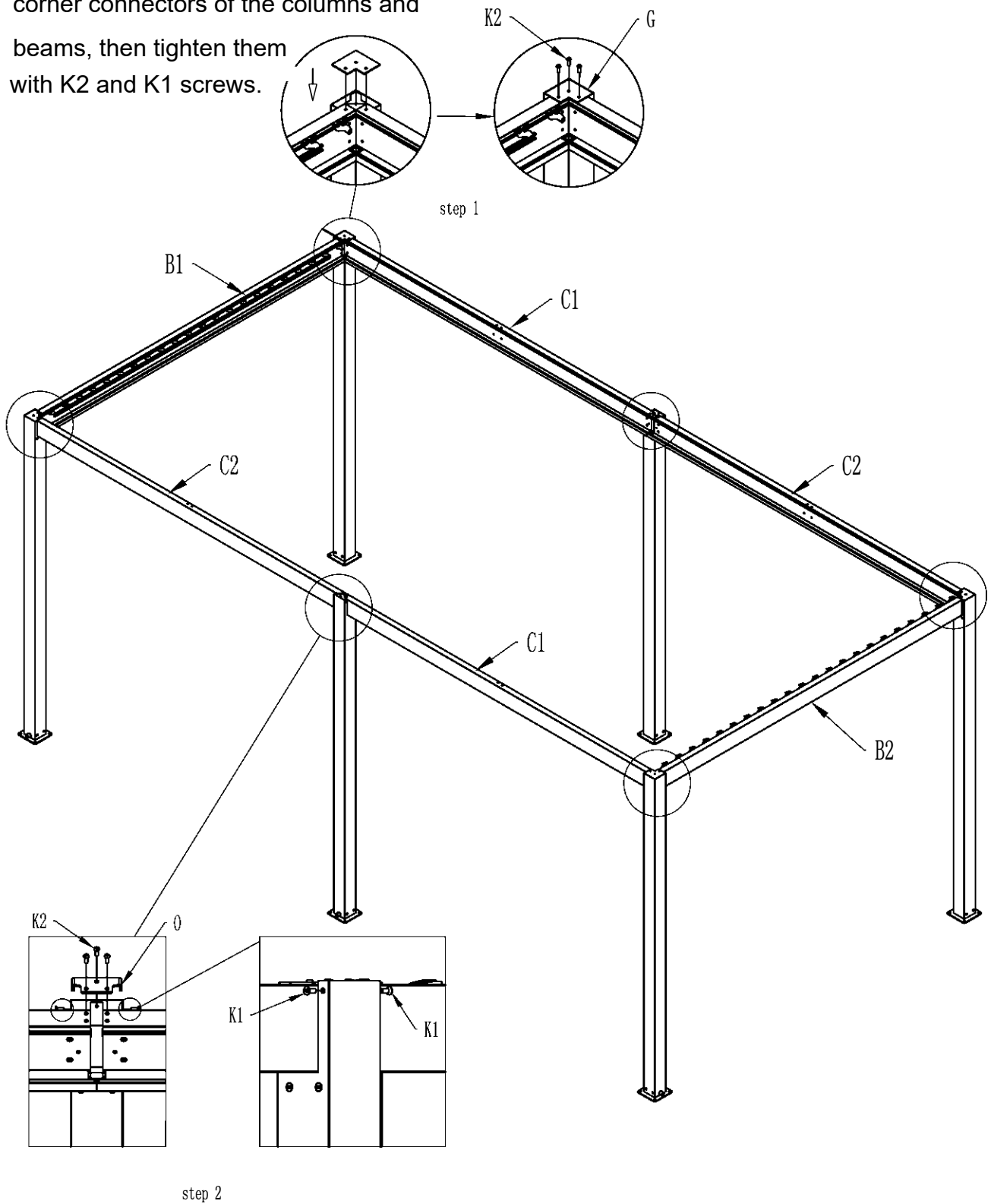
K1


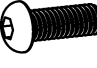

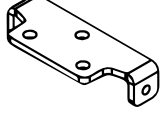


M6X16

QTY: 16PCS

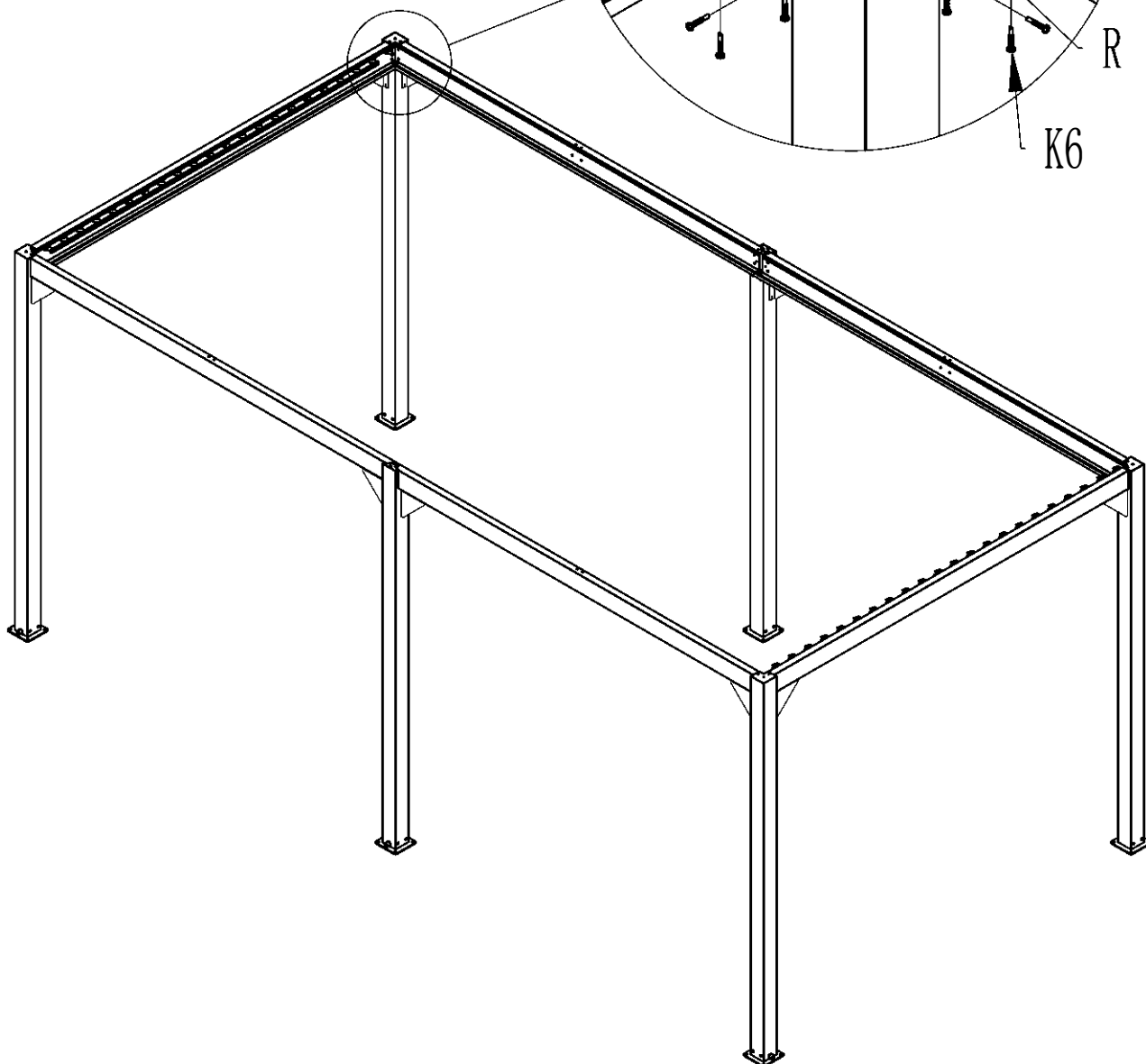
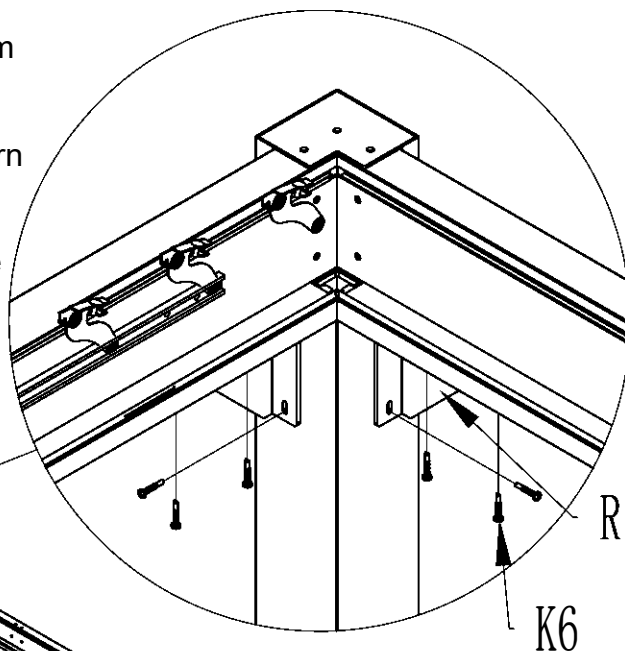
8. The 4 column cover plates G and middle column cover plate P must be mounted on top of the corner connectors of the columns and beams, then tighten them with K2 and K1 screws.



K1	 M6X16	QTY: 4PCS	K2	 M6X16	QTY: 18PCS
G		QTY: 4PCS	O		QTY: 2PCS

9. Align the corner supporter R with the bottom edge of the beam, fix it with self-drilling screw K6. Install the remaining corner supports in turn under each of the beams.

Please note: The corner supporters should be removed if one side need to be installed screen.



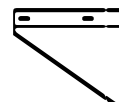
K6



ST4.2x25

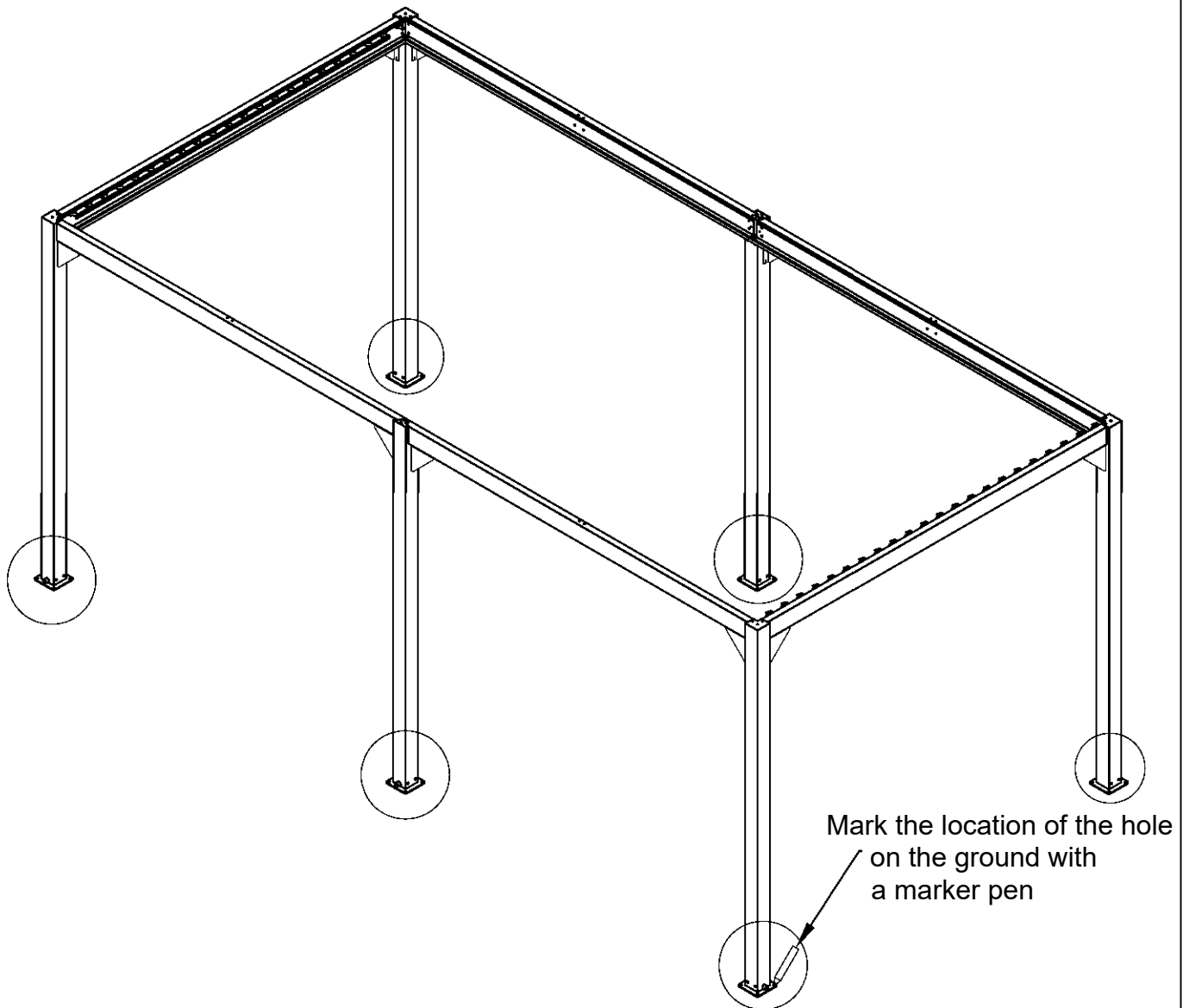
QTY: 48PCS

R



QTY: 12PCS

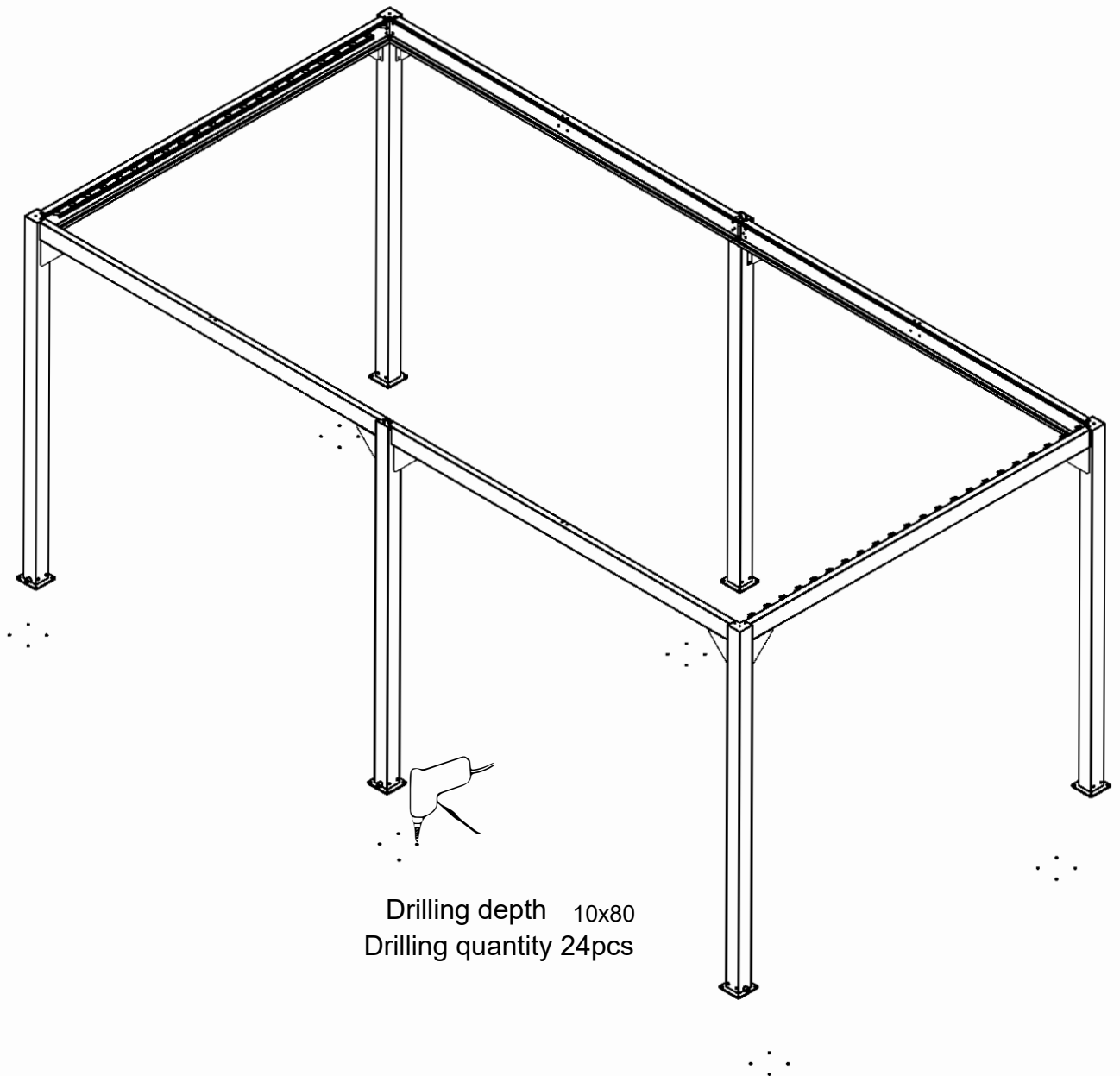
10. Adjust the position of the six columns so that they are perpendicular to the ground. Also check that the distance between each two columns is the same on both the top and the bottom. Then use a marker pen to dot 24 holes on the ground, which must correspond to the holes in the column bottom plates.



Use tools: marker pen (self-provided)



11. Remove the product aside from the marks you just made on the ground. Drill holes of 10x80mm in the ground at all 24 marks, using a percussion drill.



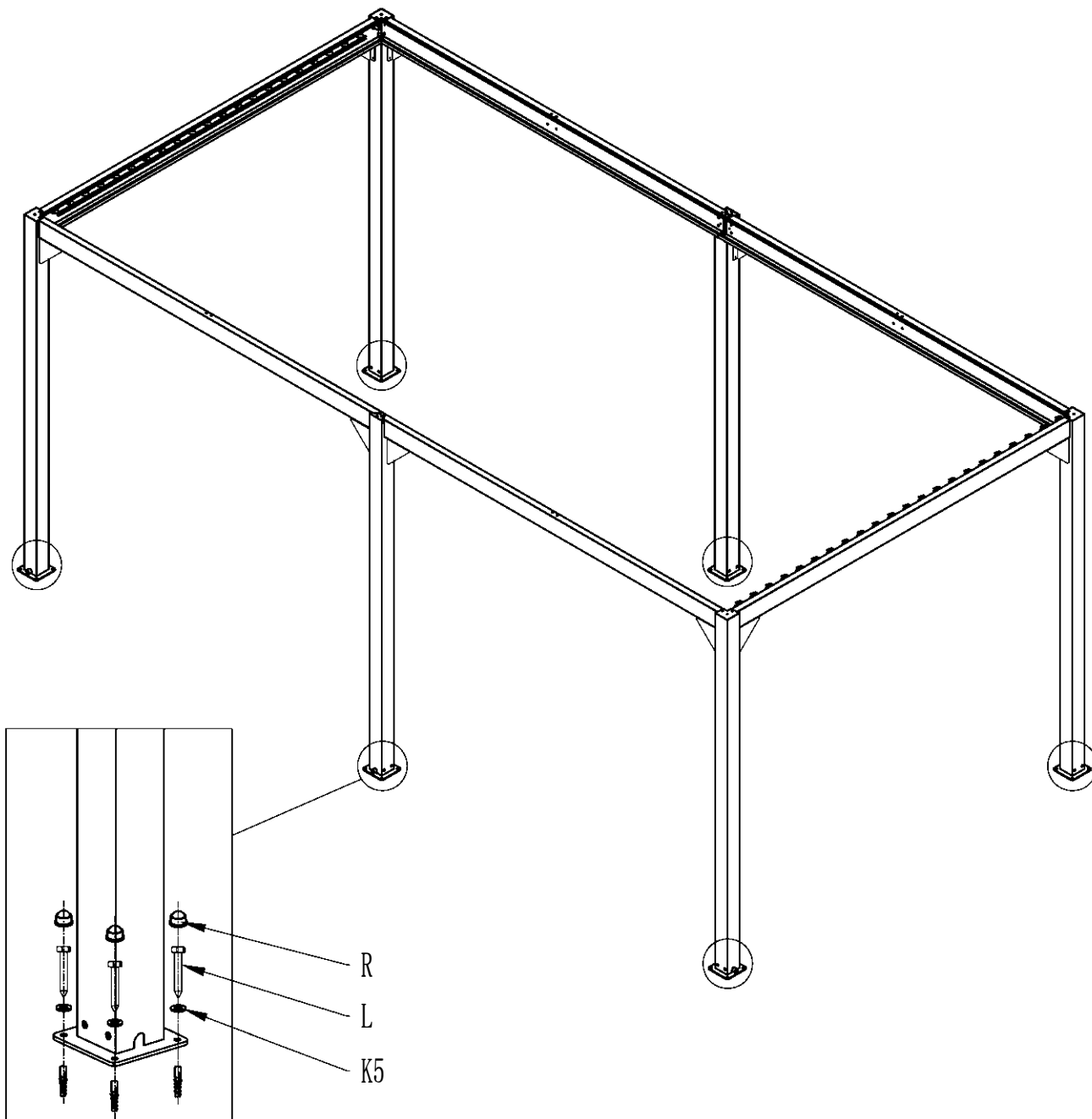
Use Tools: Percussion Drill
(Self-provided)

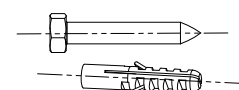




Use Tool: Percussion Bit 10
(Self-provided)

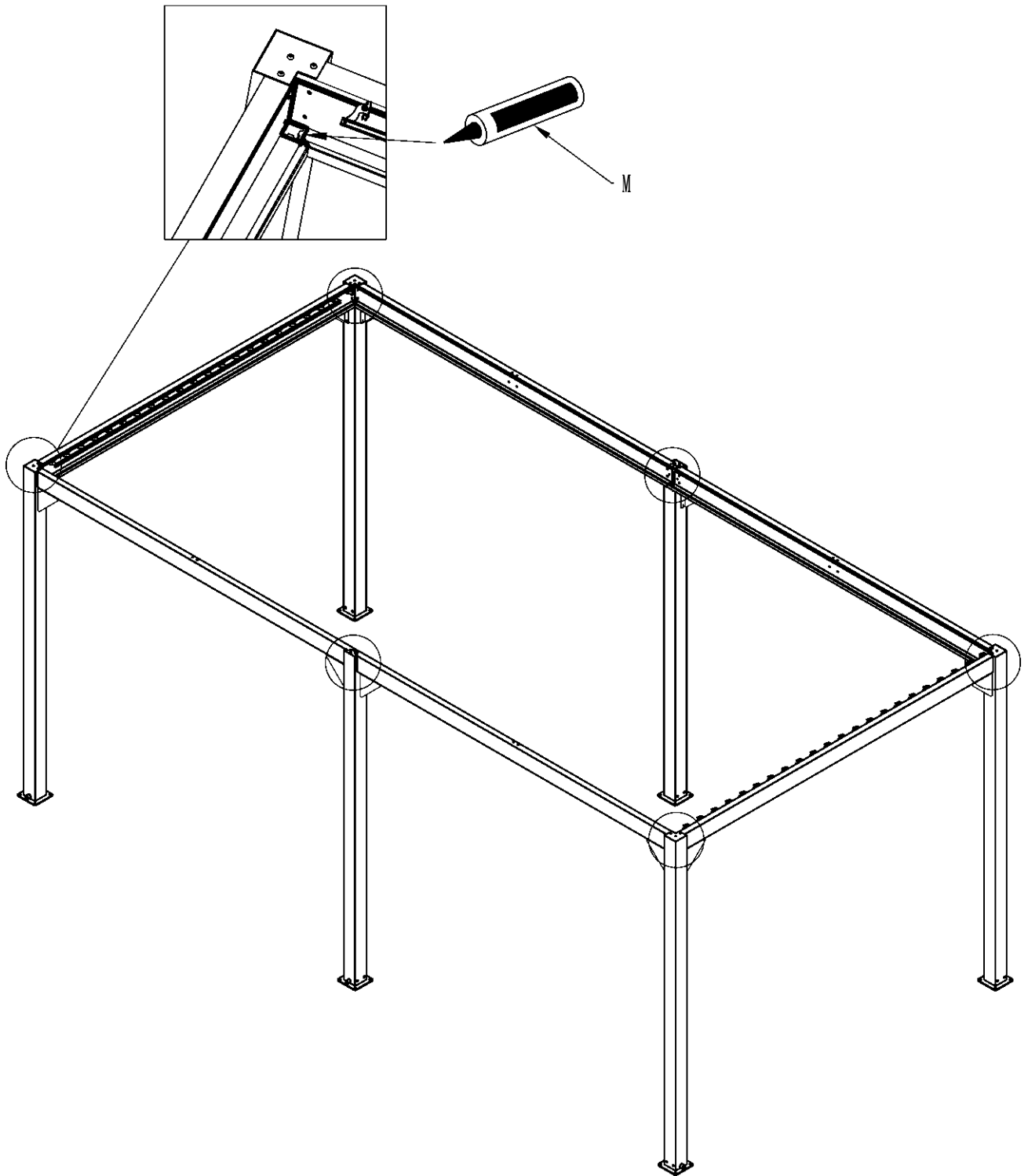


12. Place the plastic expansion pipes into the holes drilled in the ground.
 Reposition the product on top of the drilled holes in the ground and make sure to perfectly match the holes in the column bottom plates with the holes in the ground; then set the flat washers K5 into woodworking screws L and fix them in the ground one by one.
 Then put on screw cover S.



L		QTY: 24PCS	K5	 $\phi 8$	QTY: 24PCS
S		QTY: 24PCS			

13. Coat the glass glue M evenly on the drain of columns and joints of beams.

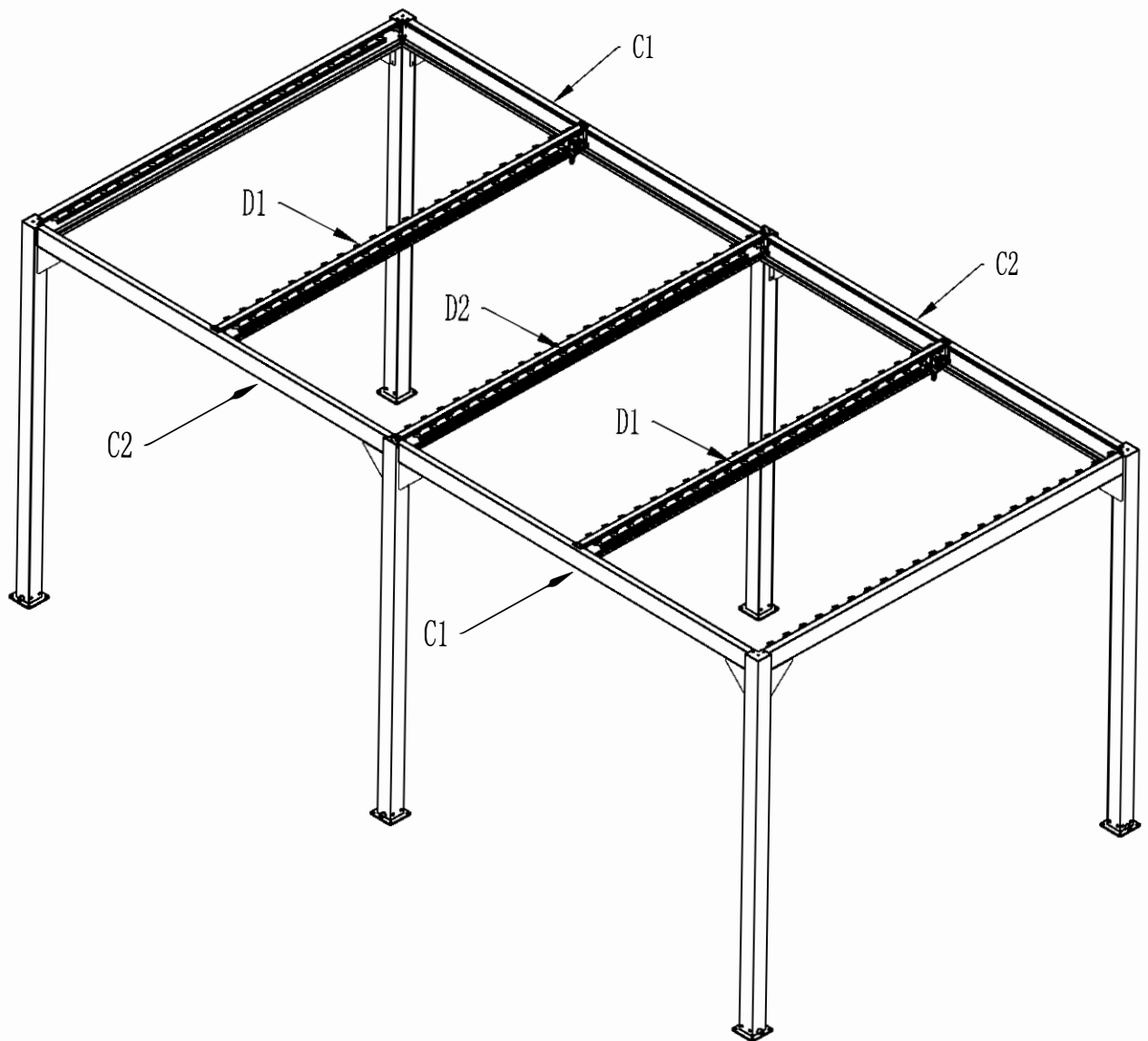


M

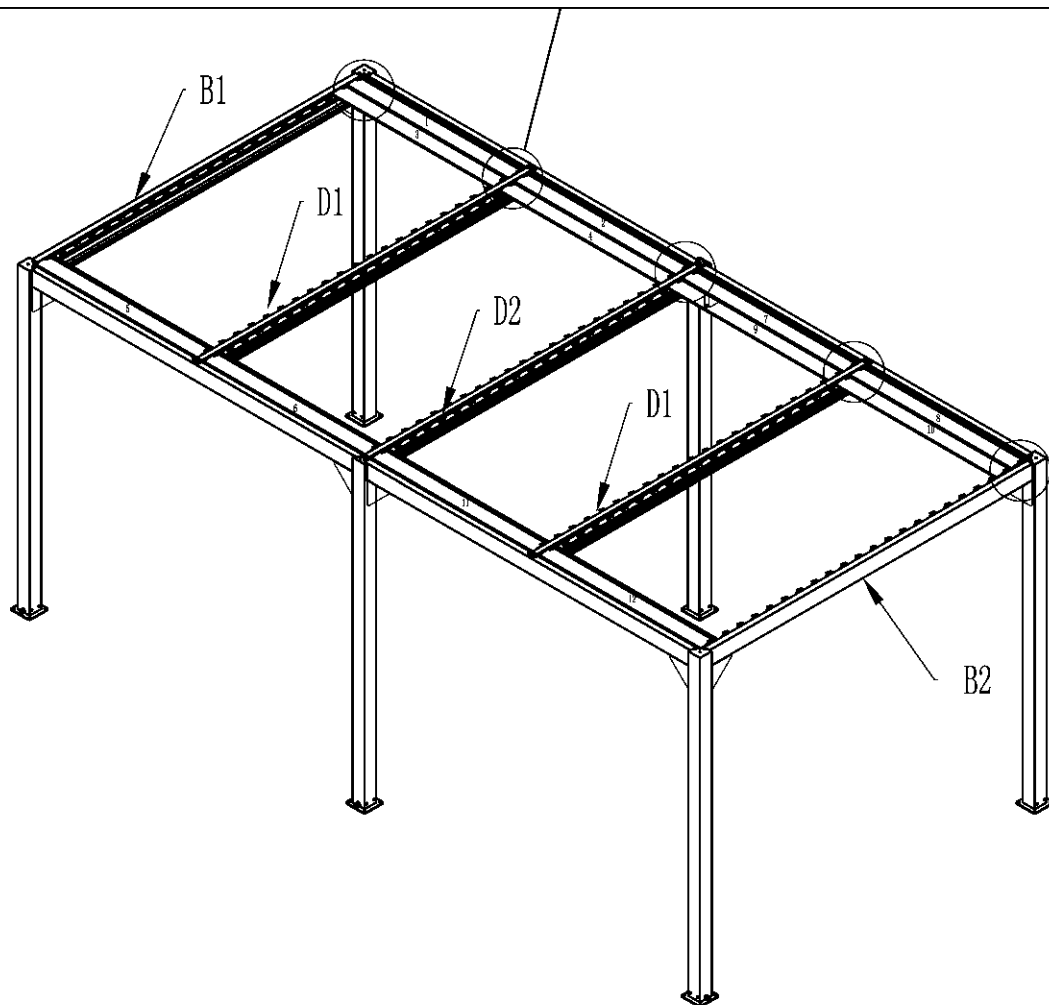
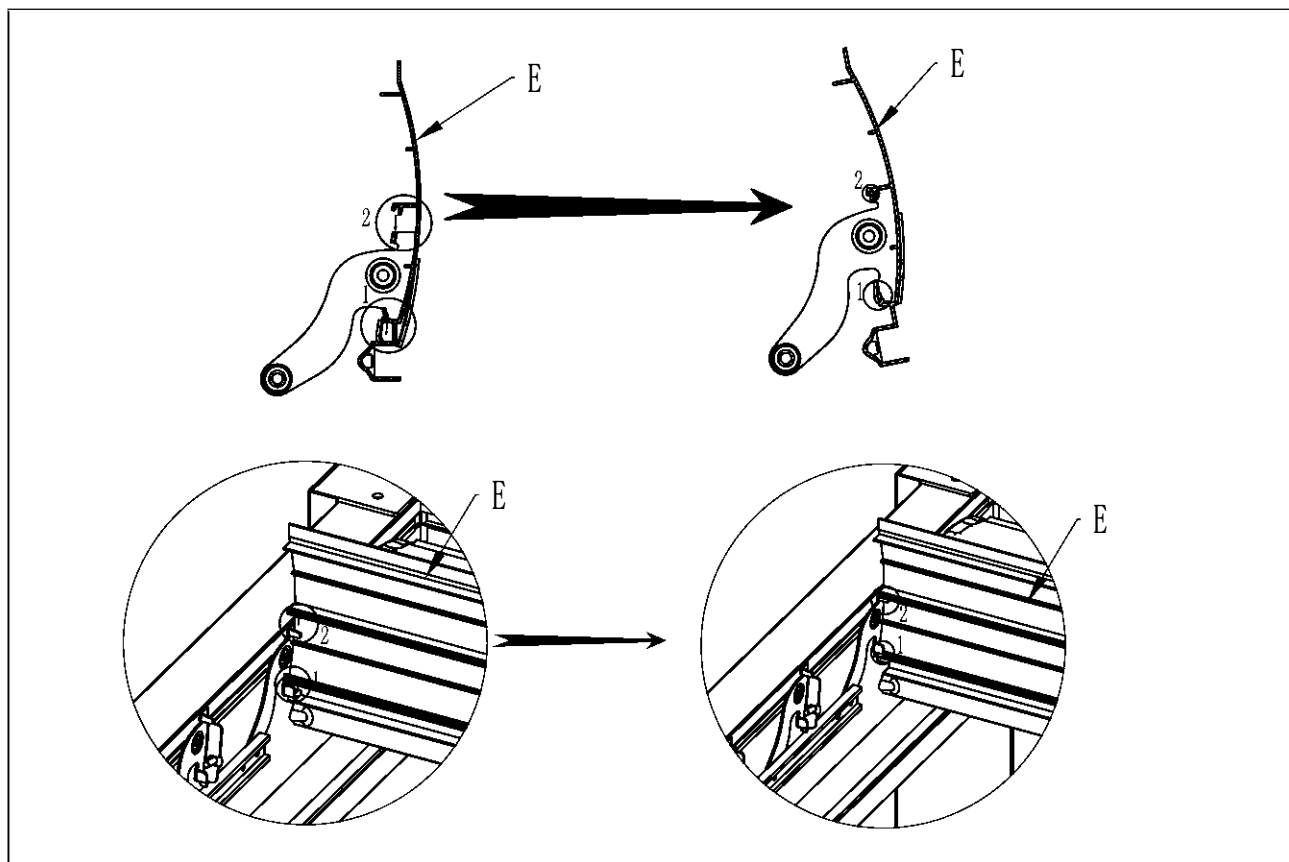


QTY: 2PCS

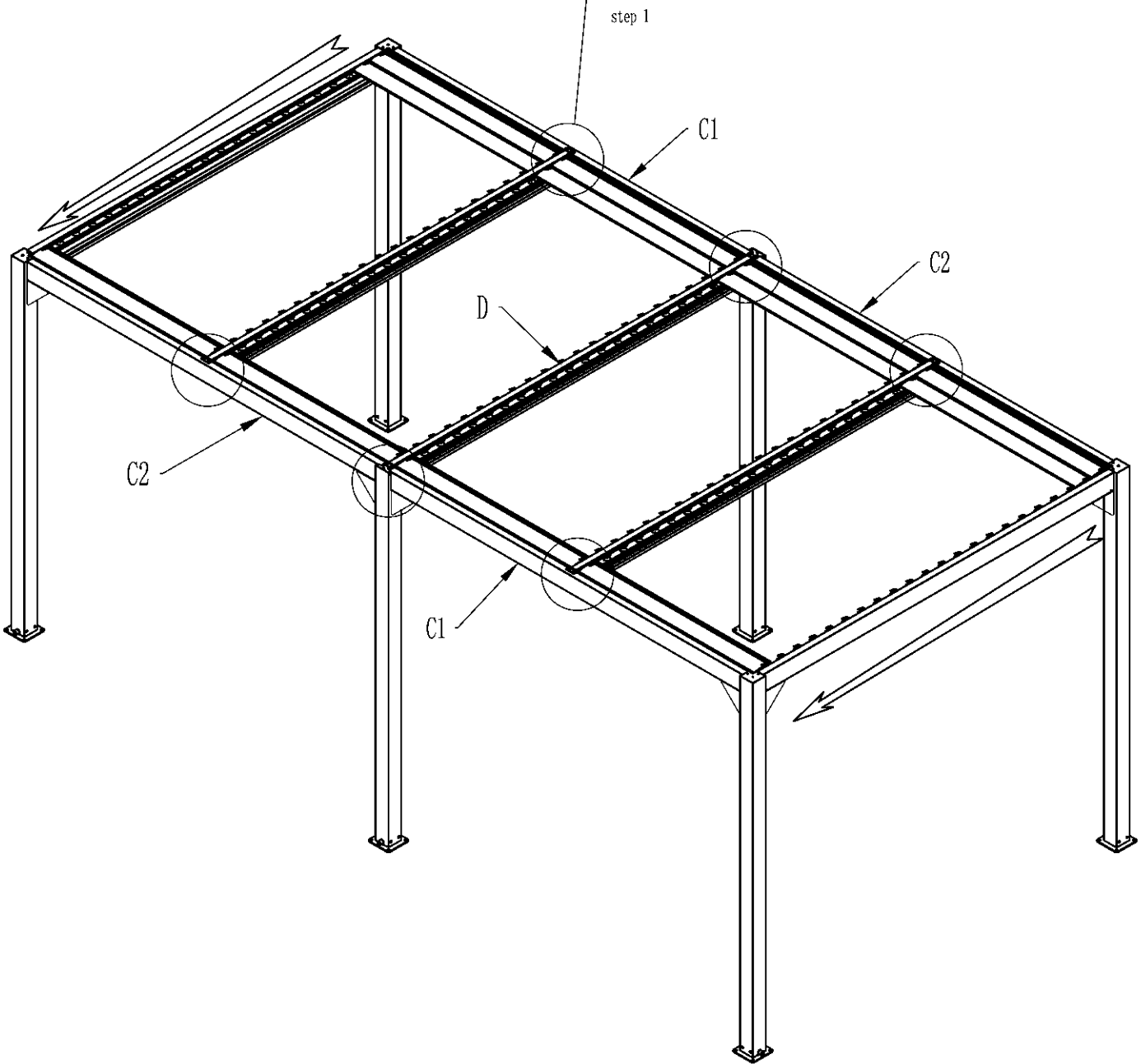
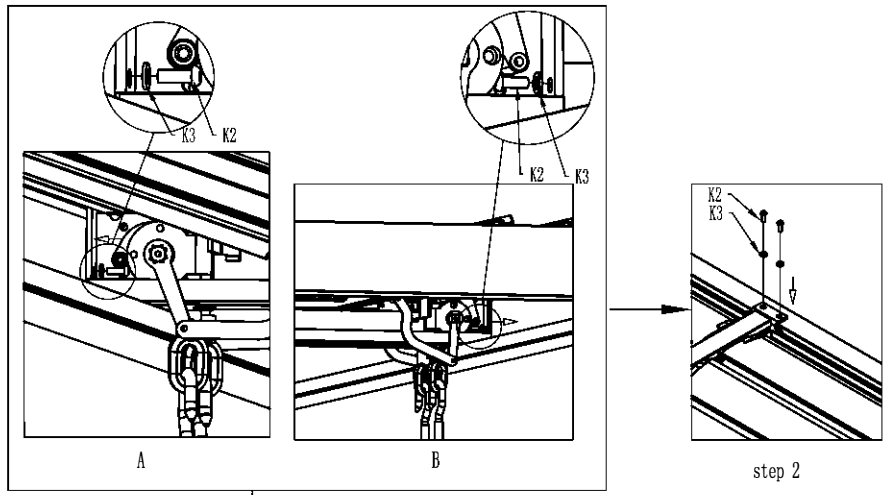
14. Place the middle beam D1/D2 onto the front and rear beams C1/C2.

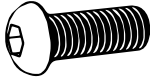



15. As shown in below figure, Insert louver E at the end of the brackets of at both side of the beams first, then press down the louver to make it clamp and install in the direction by the arrow at the position 1 and 2 respectively. Insert louvers according to the position of below drawing (total eight louvers at gear box side, 4pcs louvers at the other side)



16. Set the flat washers K3 into the screws K2 at first, fix them into the holes below beam D1/ D2, then align the screws K2 with flat washers with the holes on the top of the beam C1/C2 and tighten it. Install the other louvers in turn.



K2		QTY: 24PCS
----	---	------------

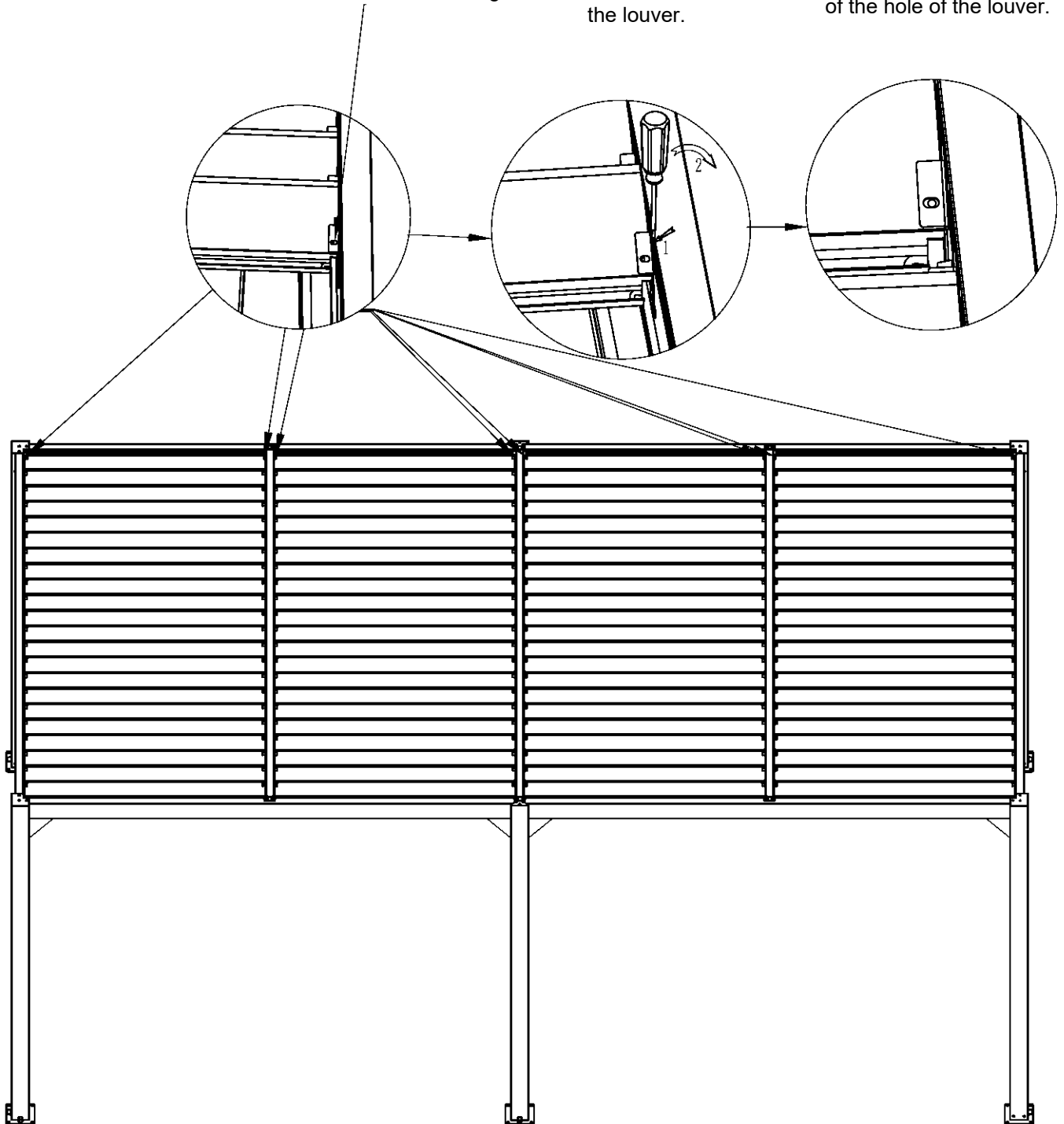
K3		QTY: 24PCS
----	---	------------

17. Adjust the louvers

Step 1: As shown below, if the holes are not concentric, need adjustment.

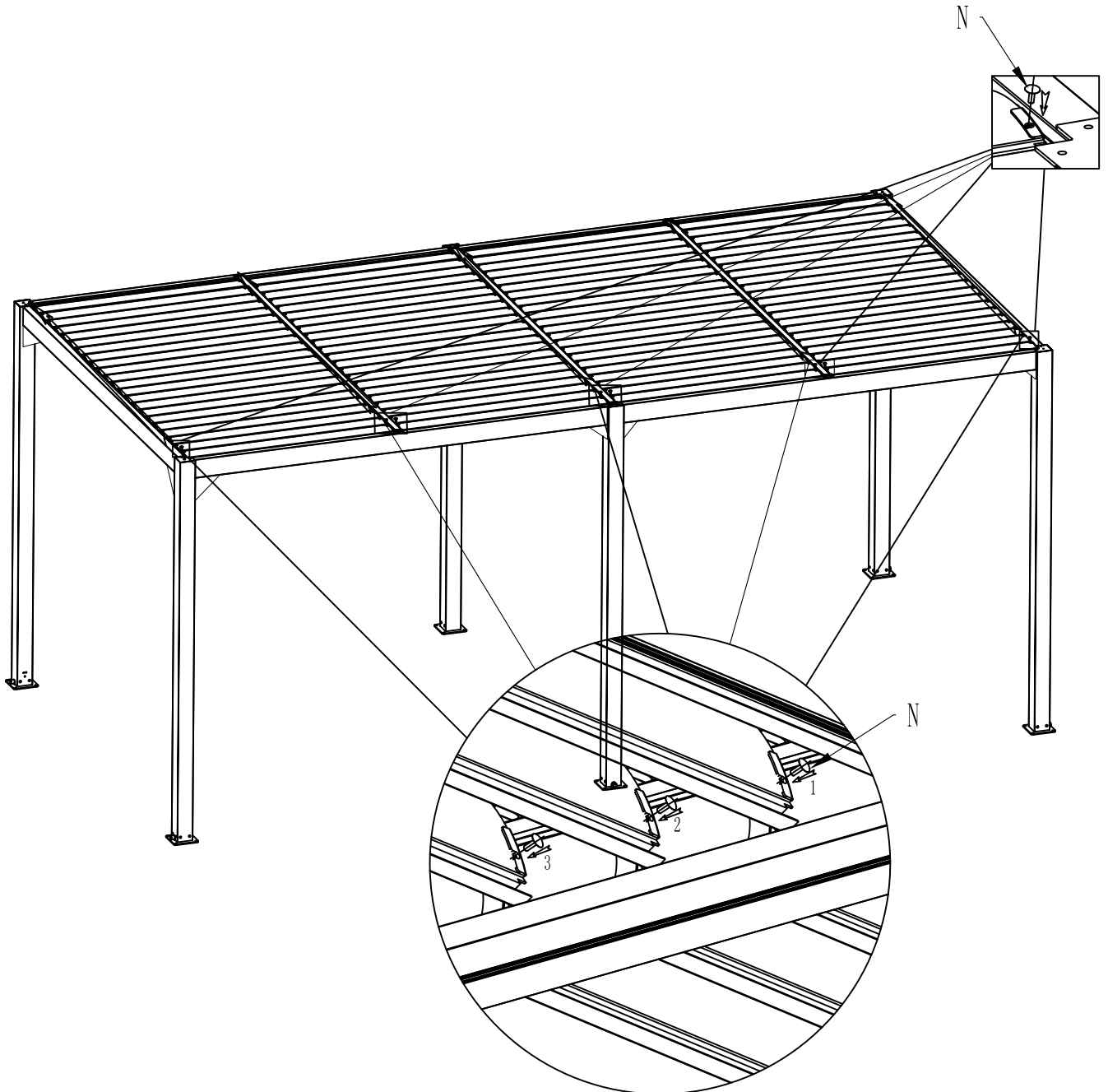
Step 2: As shown below, insert a screwdriver into place 1 and adjust the louver support in direction 2, so that the hole of the louver support is aligned with the center of the hole of the louver.

Step 3: After the adjustment, the hole of louver support is aligned with the center of the hole of the louver.



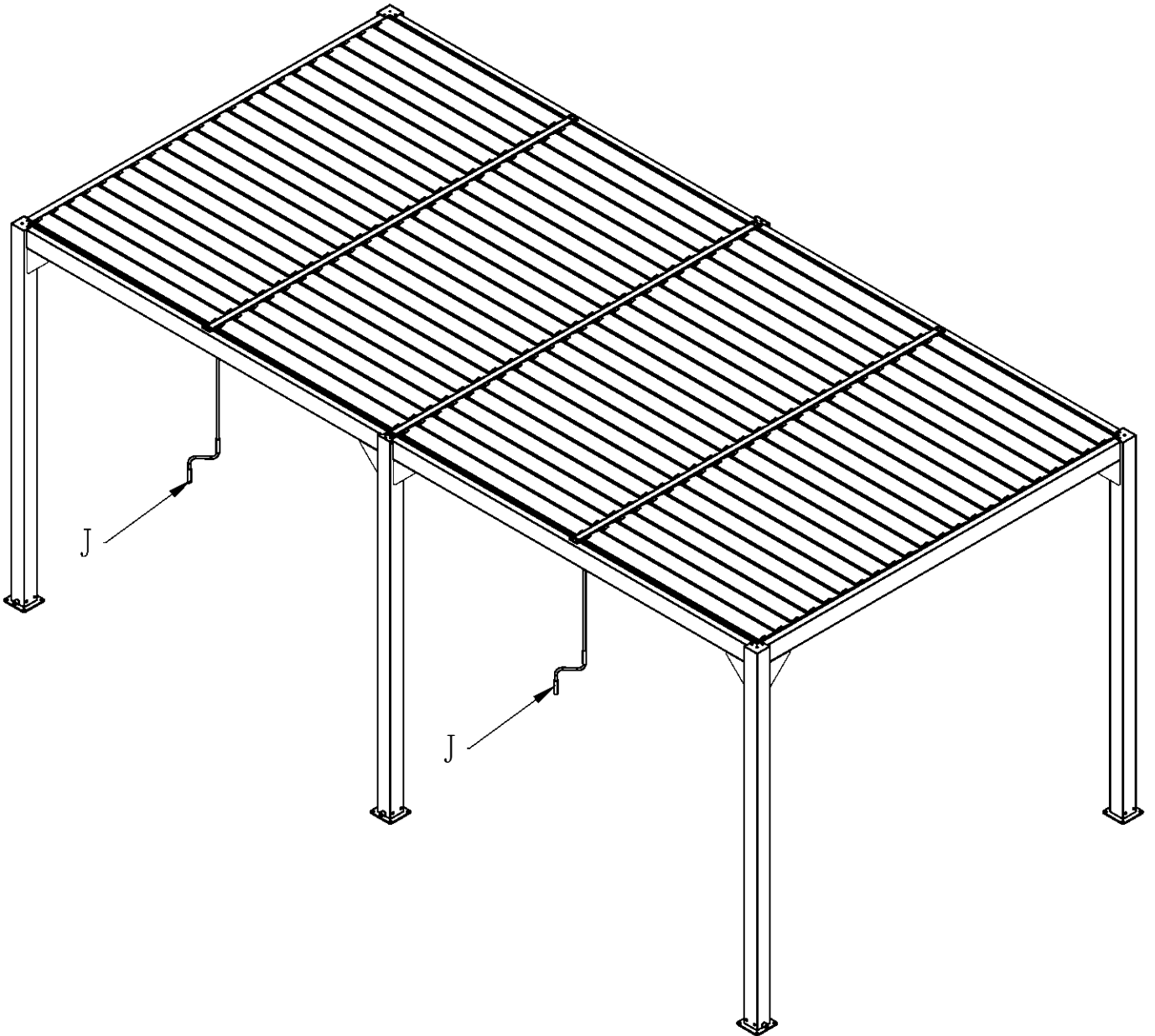
18. Insert plastic jams into two sides of each louver.

1. The following image shows how to insert plastic jam into foremost louver.



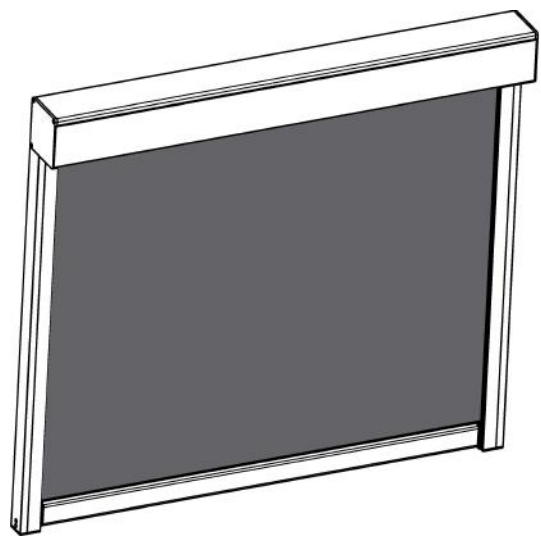
2. Turn the louver halfway and insert the plastic jam into the holes at its two ends. Continue in the same way for each louver in turn.

19. Put the hand crank J on, turn to open/close the flap; installation completed.

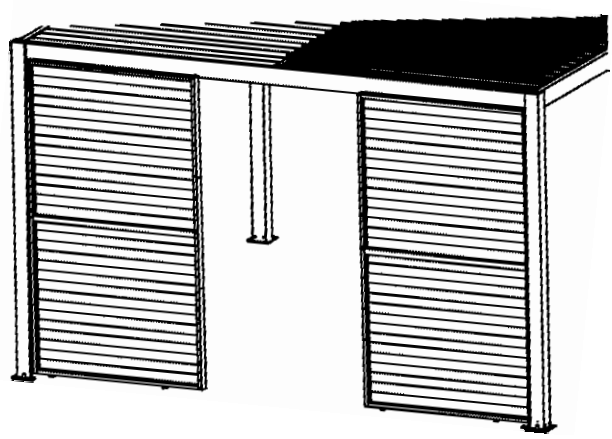


Following images are optional screen set matched to pergola,
the R and K6 should be removed if you need to install the screen set.

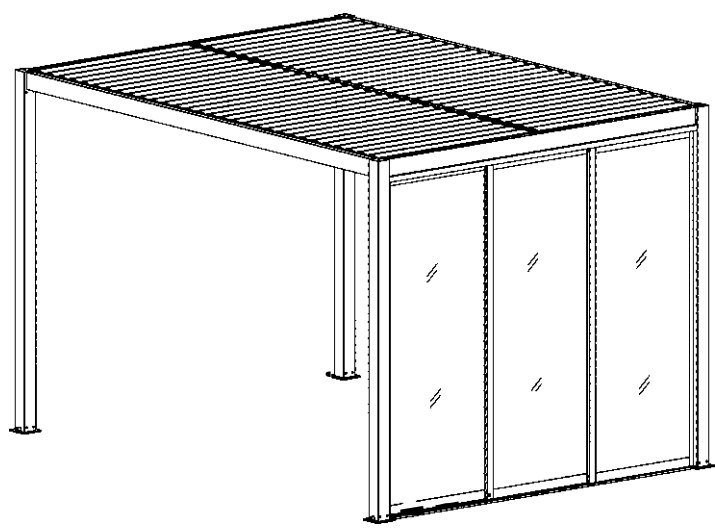
Optional 1:
Screen/Sidewall



Optional 2:
Alu. turnover louvered wall



Optional 3:
Glass door



Contact information

Austria



Belgium



Croatia



Denmark



Estonia



Finland



France



Germany



Ireland



Italy



Latvia



Lithuania



Nederland



Norway



Poland



Portugal



Spain



Sweden



Switzerland



UK

