

Manual
for
Base for ProShed
2,77x1,91x1,92m

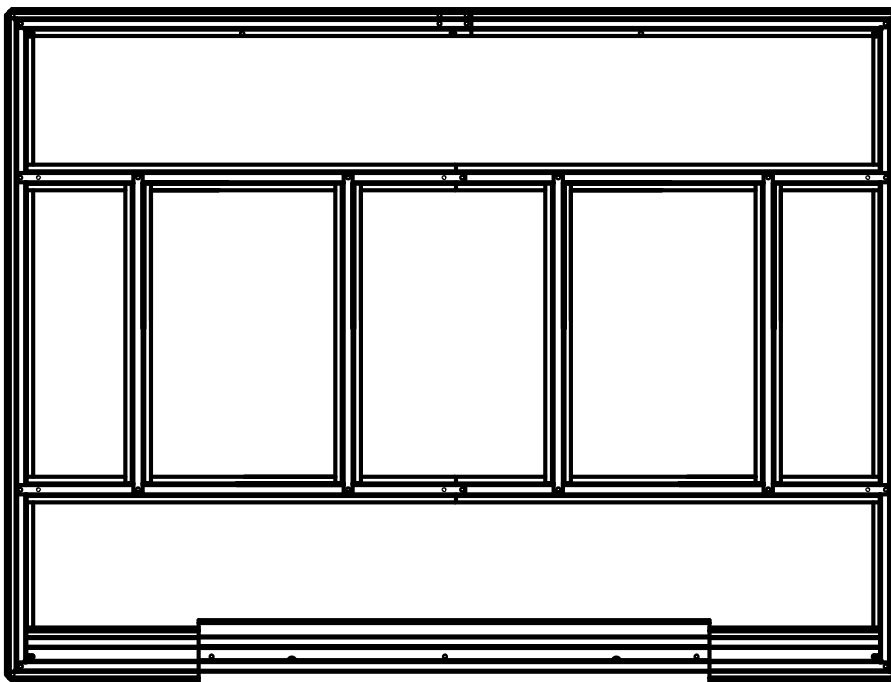
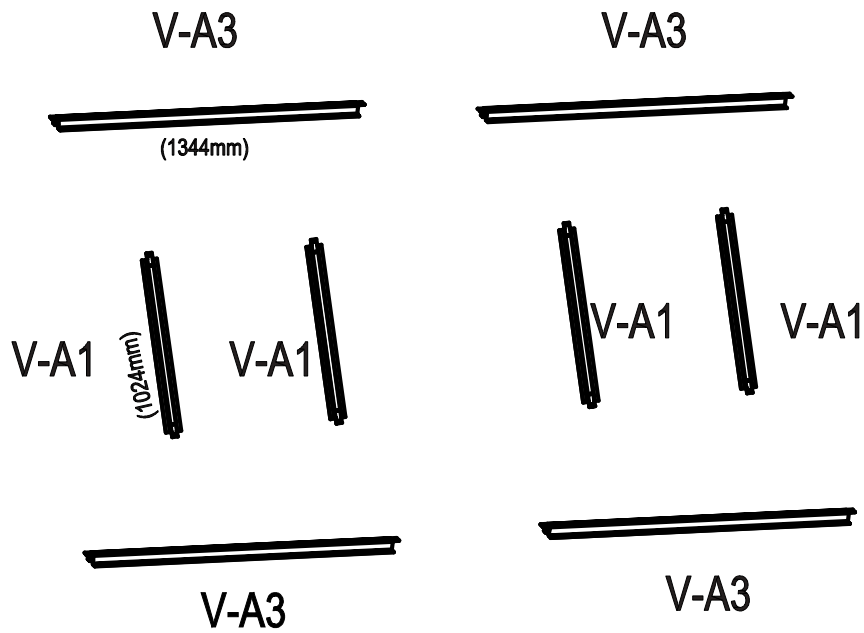


Floor Frame Kit


Bodenrahmen-Bausatz * Kit de cadre pour plancher * Kit de entramado de pisos

Assembly Manual

Montagehandbuch * Manual de ensamblaje
* Guide d'assemblage



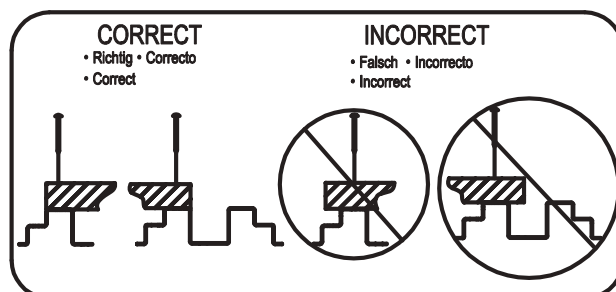
As-C9X6.3 Building

Part Name	Qty
V-A3	4
V-A1	4
	16

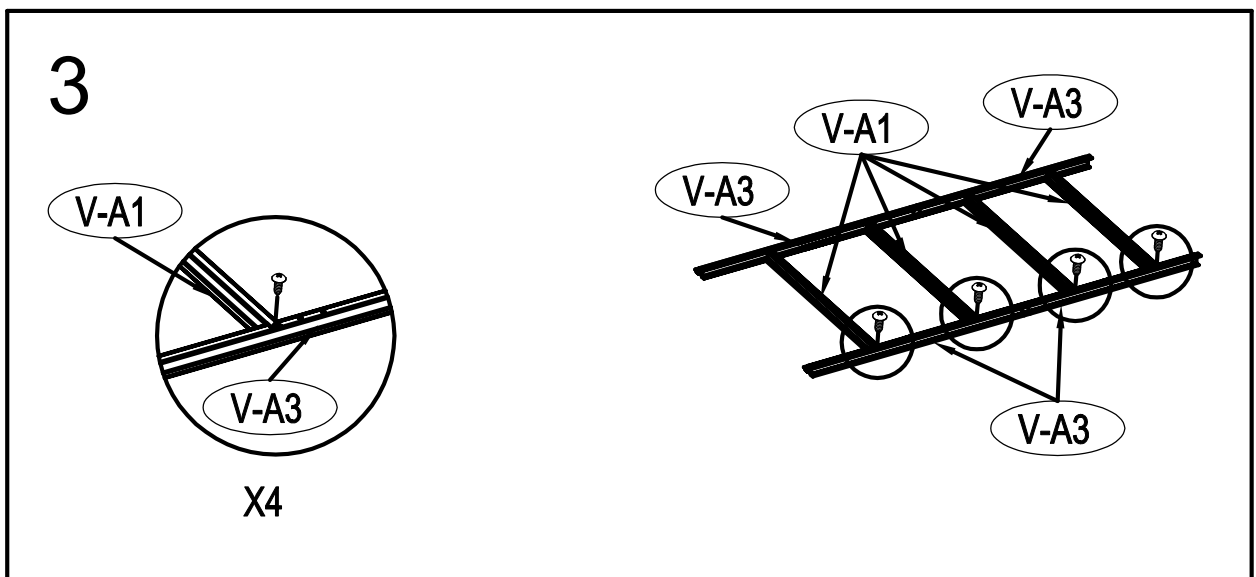
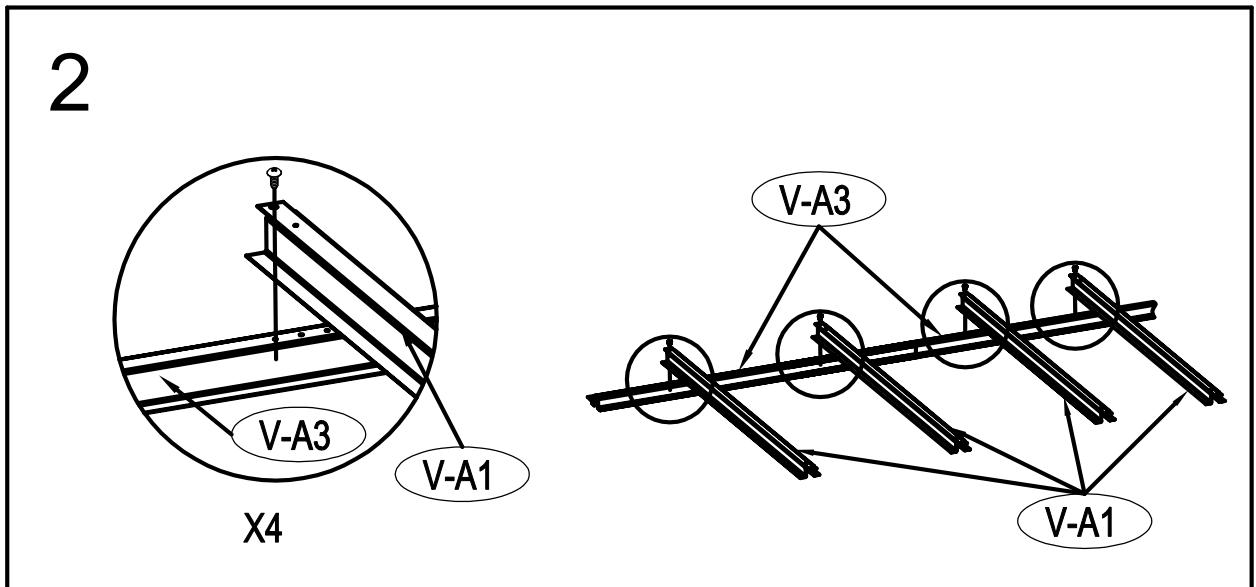
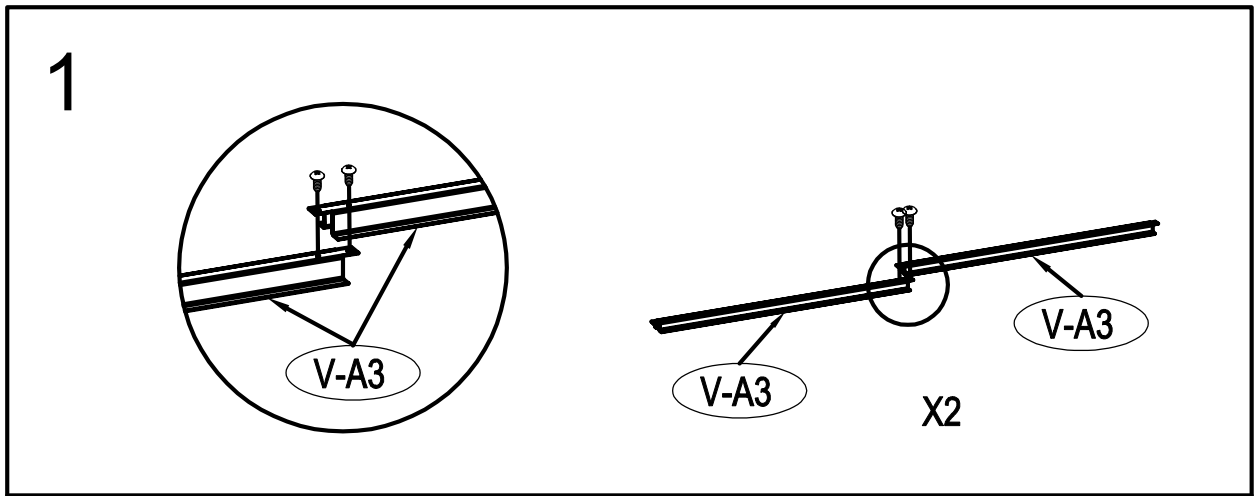


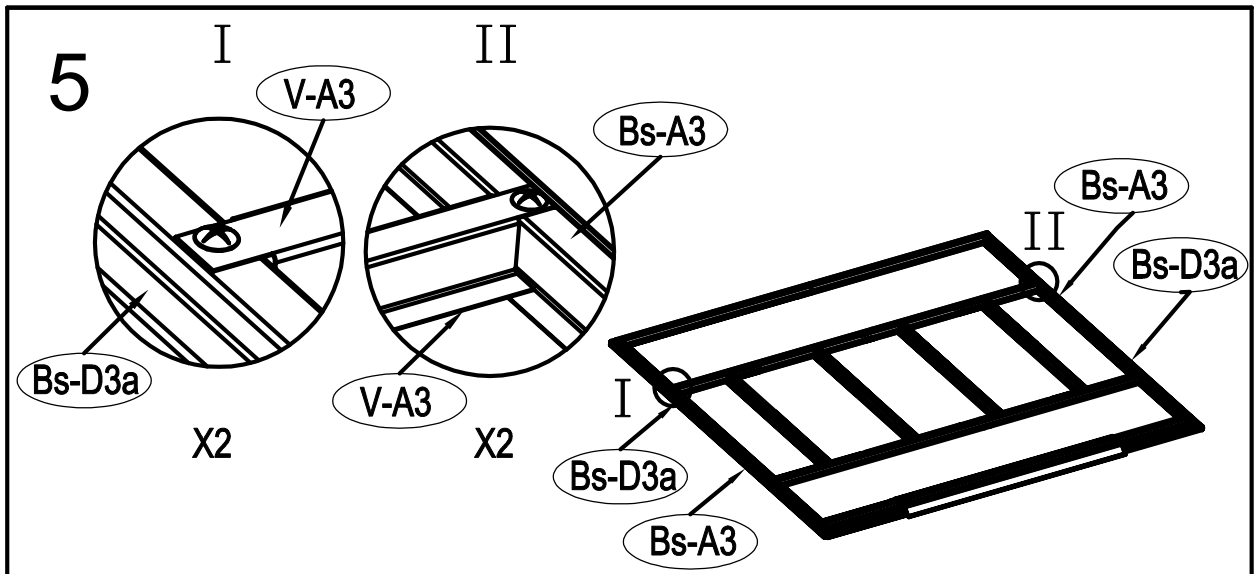
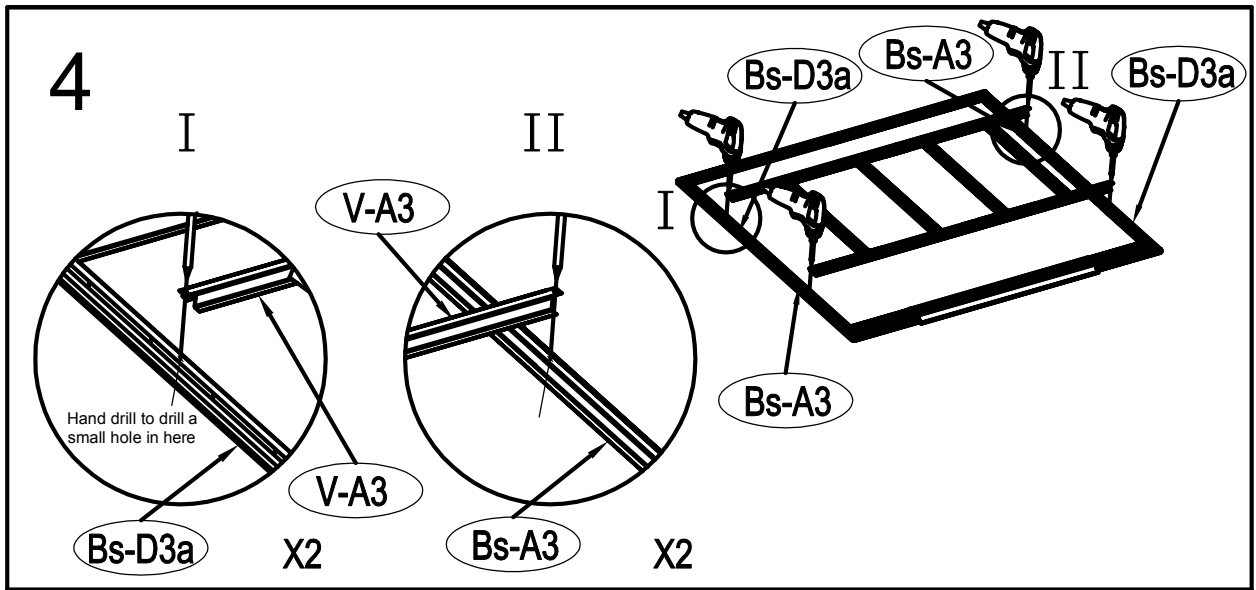
Kit Before You Begin / Site Preparation

1. Before beginning construction, check local building codes regarding footings, location and other requirements. Study and understand this owner's manual.
2. Follow all directions and dimensions carefully.
3. Follow the step sequence carefully for correct results.
4. Be sure all the parts fit together properly before proceeding.
5. **IMPORTANT:** Remove Owner's Manual from main carton of your storage building.
6. **SAFETY FIRST:** Care must be taken when handling various pieces of your kit since some contain sharp edges. Wear work gloves, eye protection and long sleeves when assembling or performing any maintenance on your kit.
7. **BASIC TOOLS:** No. 2 phillips screwdriver, pliers, work gloves, tape measure, level and a spade or shovel.
8. **GROUND MUST BE LEVEL:** Be sure floor frames lie flat on ground. To prepare earth bed, remove sod and other debris. level the high spots with flat shovel and tamp bed down.
9. **DO NOT STEP ON CHANNELS UNTIL FLOORING MATERIAL IS IN PLACE!**
10. Separate contents of the carton by the part number while reviewing parts list. Check to be sure that you have all the necessary parts for your kit.



Finish construction of your Storage Building following the Assembly Instructions.





2

Contact information

Head office:

Dancover A/S
Lyngevej 16A, Nørre Herlev
3400 Hillerød
Denmark

For more information
please visit:

www.dancovershop.com

National contact

Denmark:

denmark@dancover.com

UK:

uk@dancover.com

Germany:

germany@dancover.com

France:

france@dancover.com

Sweden:

sverige@dancover.com

Finland:

suomi@dancover.com

Poland:

polska@dancover.com

Luxembourg:

luxembourg@dancover.com

Portugal:

portugal@dancover.com

Spain:

espana@dancover.com

Italy:

italia@dancover.com

Switzerland:

schweiz@dancover.com

Austria:

austria@dancover.com

Norway:

norge@dancover.com

Nederland:

nederland@dancover.com

Ireland:

ireland@dancover.com

Belgium:

belgique@dancover.com