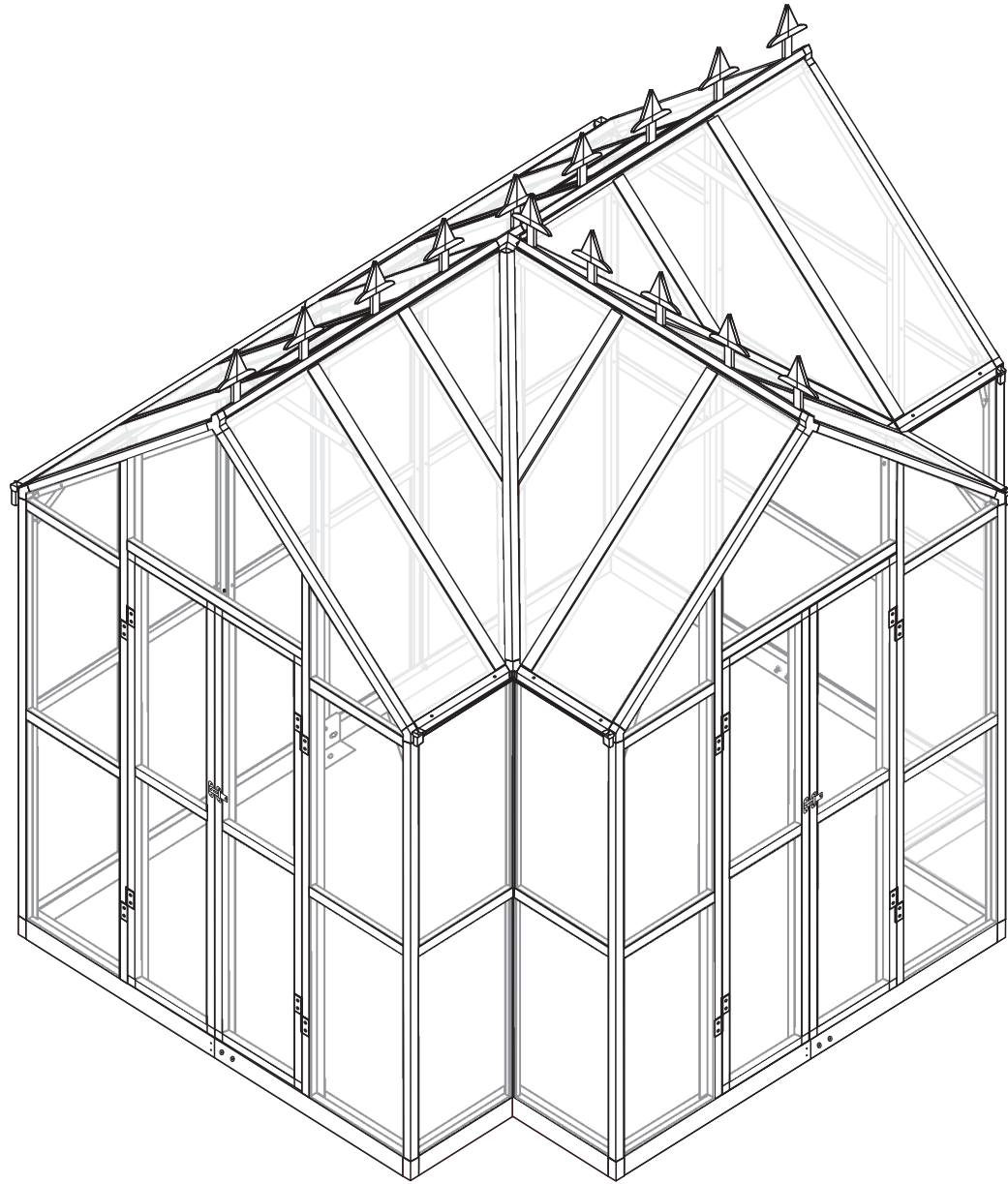
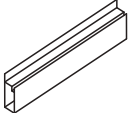
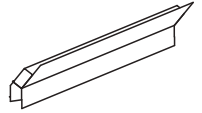
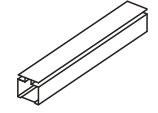
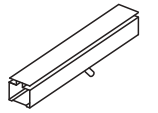
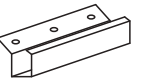
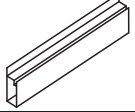
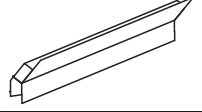
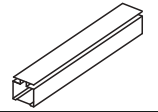
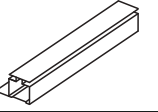
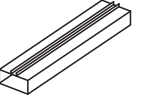
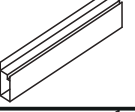
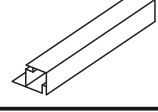
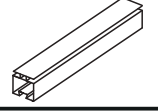
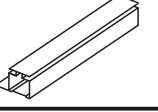
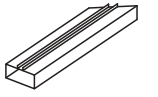
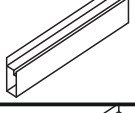
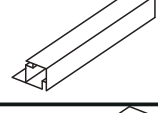
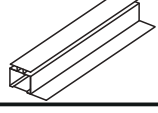
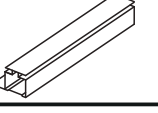
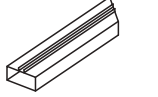
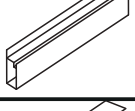
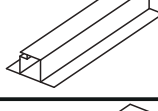
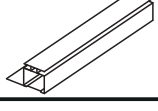
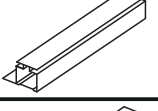
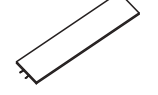
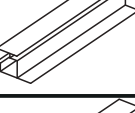
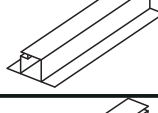
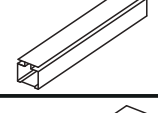
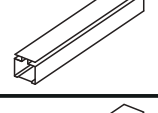
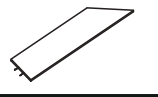
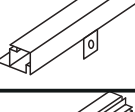
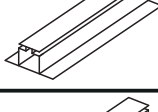
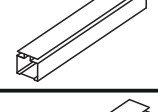
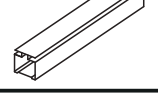

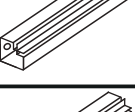
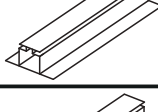
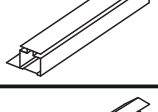
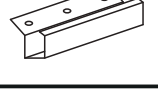

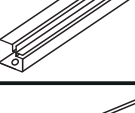
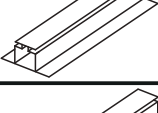

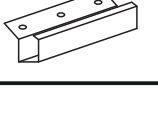

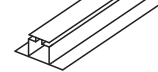

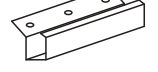


# CosyLifeStyle®

Manual  
for  
Orangery  
3,7x2,38x2,8m



# Aluminum Parts List

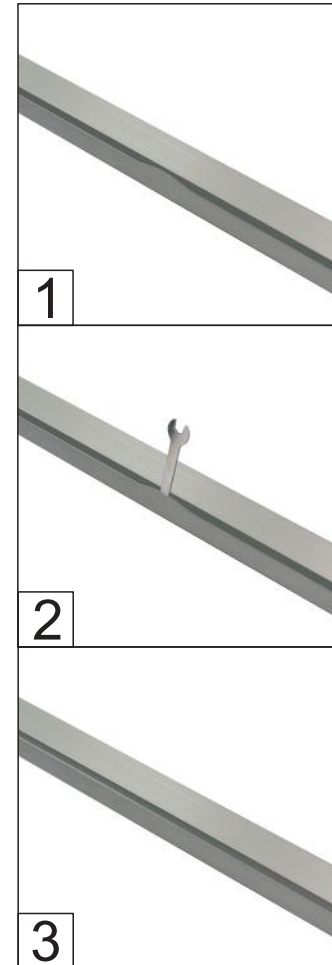
No.	Picture	Qty.	Size	No.	Picture	Qty.	Size	No.	Picture	Qty.	Size	No.	Picture	Qty.	Size	No.	Picture	Qty.	Size
1		1	180.3	6A		2	61.5	14B		4	61.5	21		2	58.2	27D		1	181.7
2		1	180.3	6B		2	61.5	14C		6	58.2	22A		2	174.5	28A		4	130.6
2A		4	61.5	8		3	129.8	15		1	131	22B		2	174.5	28B		2	66.6
3		3	116.1	9		3	129.8	16A		2	130.6	23A		2	174.5	28C		2	66.6
4		3	116.1	10		2	223.7	16B		2	130.6	23B		2	174.5	29A		4	131
5A		3	186.5	11		2	223.7	17		12	58.5	24		8	48.8	29B		2	65
5B		3	186.5	12		1	223.7	18		3	110	25		4	48.8	29C		2	65
5C		1	186.5	13		1	223.7	19		2	110	27A		2	61.5	30		2	169.5
5D		1	186.5	14		4	186.5	20		2	176.6	27B		2	61.5				
6		2	180.3	14A		1	186.5	20A		1	177.1	27C		1	181.7				

# Parts list

No.	Picture	Qty.	Size	No.	Picture	Qty.	Size	No.	Picture	Qty.	Size	No.	Picture	Qty.	Size
32		6		38		1		37		16	M6*7	48		1	
32A		1		39		1		40		8	M4*12	49		1	
32B		1						41		23	M6*9	50		1	
33A		3						41A		1	M6*26	52		2	
33B		3						42		182	M6*12	53		2	
33C		2						44		6	M6*26	54		1	
34		3						45		6	M6*35	55		2	
34A		1		30A		2	60	45A		6	M6*45	55A		3	
35		6		30B		2	60	46		6	26.6				
35A		1		30C		4	60.4	46A		3	50				

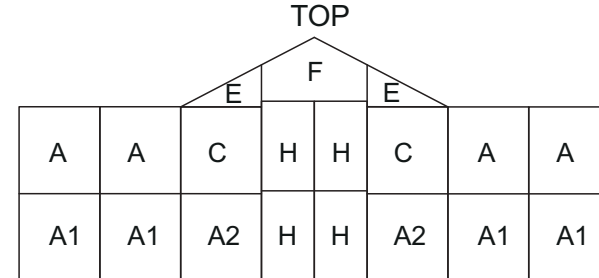
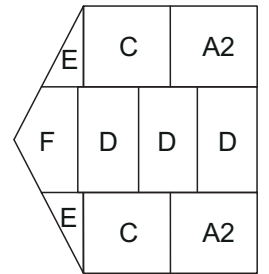
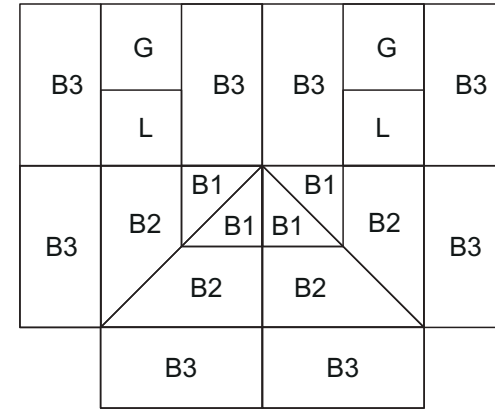
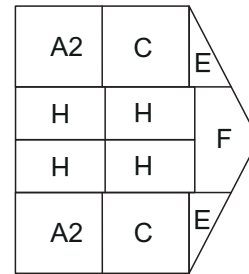
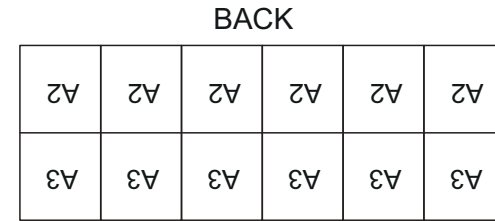
## Warning:

If the aluminum part curved as below pic, pls use the wrench to restore it.



# Glass panels

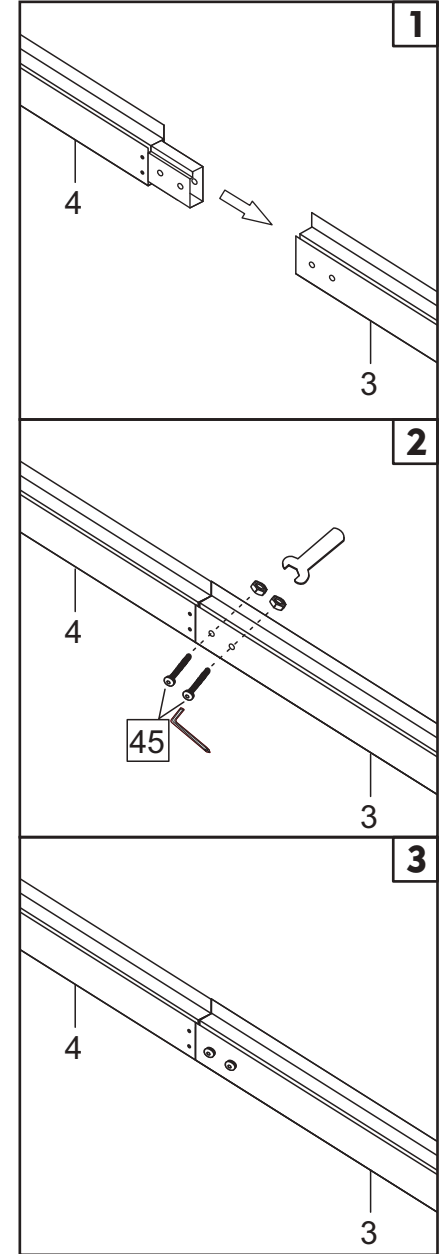
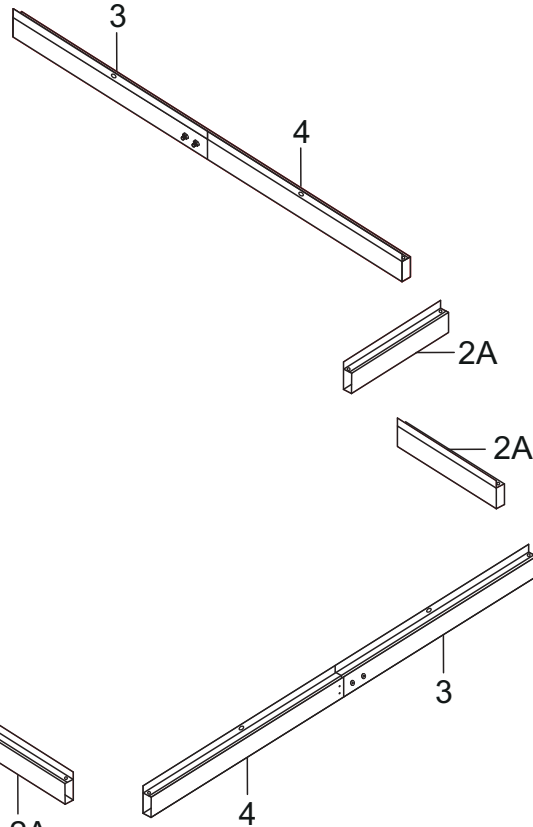
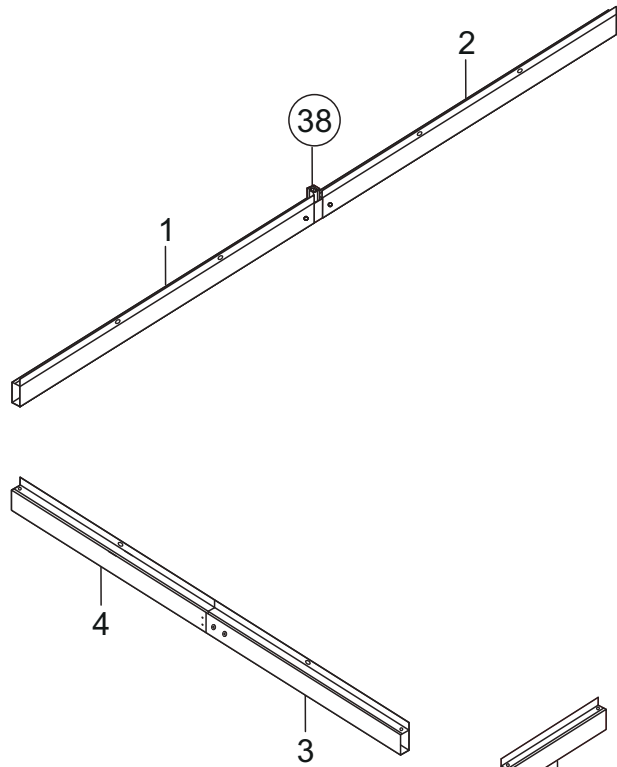
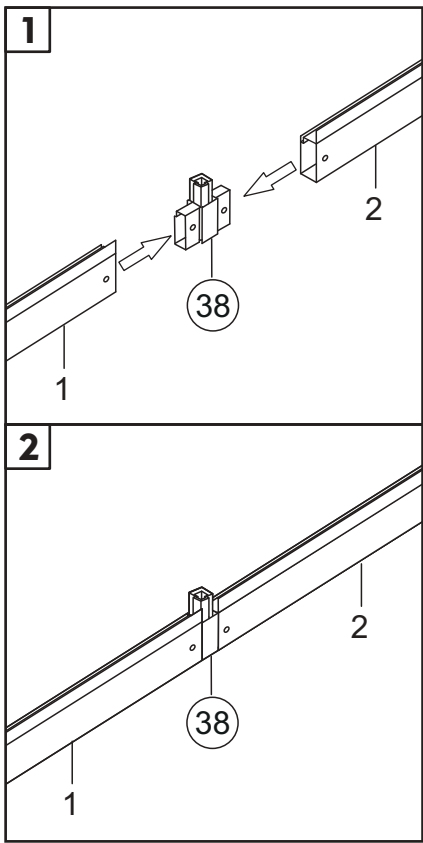
No.	Picture	Qty.	Size	No.	Picture	Qty.	Size
A		4	95.5*63	C		6	90.7*60
A1		4	93.5*63	D		3	111.5*62.9
A2		12	93.5*60	E		6	60/10 *36.94/4
A3		6	95.5*60	F		3	111.5/1 *63.5/32.5
B1		4	63.37/1 *56.12/1	G		2	71.3*60
B2		4	132*66 60*1.8	H		8	92*50.3
B3		8	132.7*60	L		2	57*60



**outside**

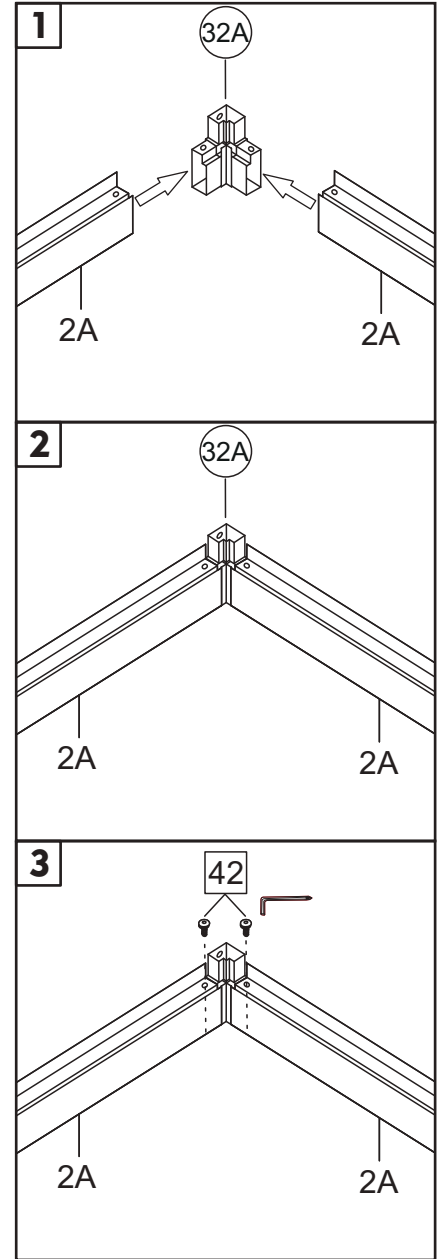
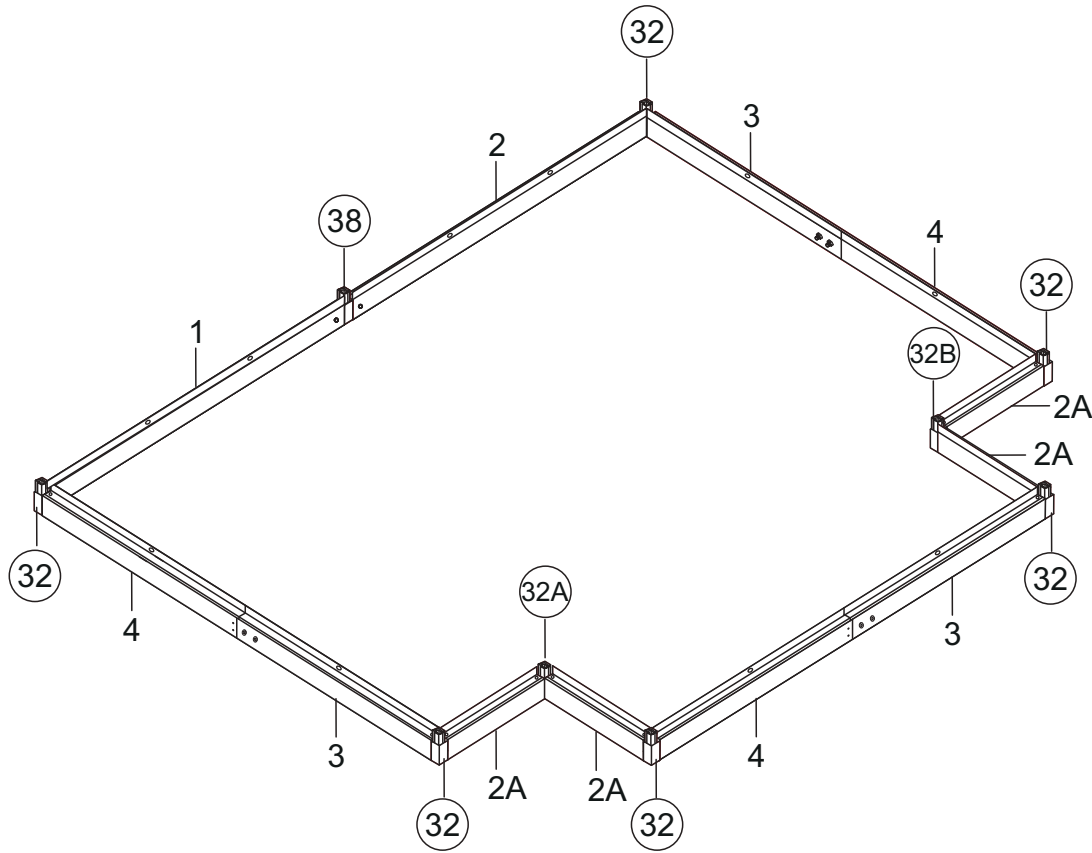
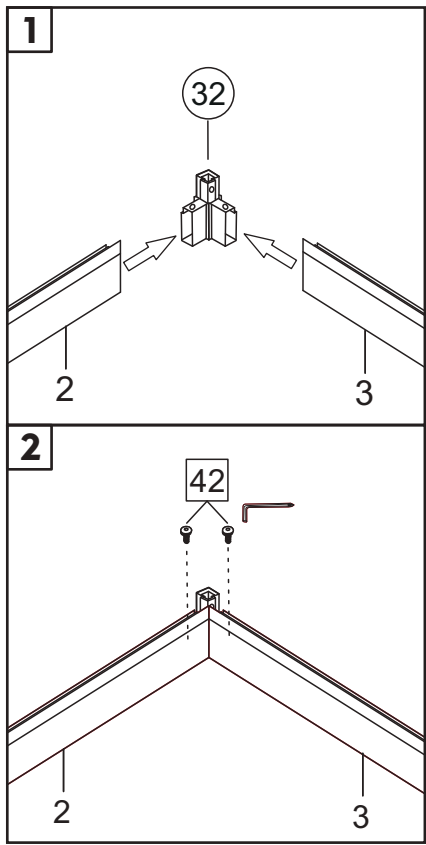
1. Prior to installing B1, B2, B3 and G glass, attach waterproof stickers around the glass as shown in the illustration.
2. When installing the glass, the side of the waterproof tape is facing outwards

# STEP 1



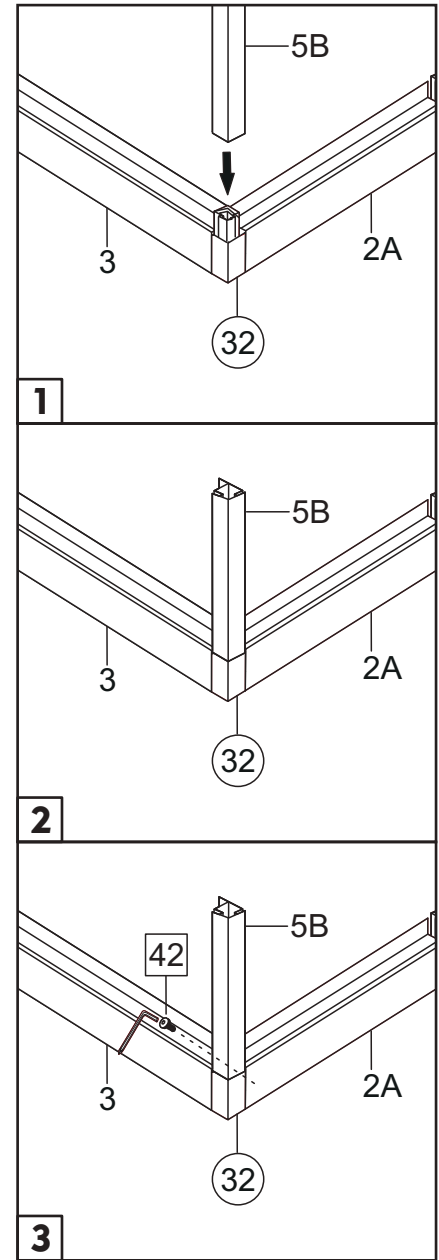
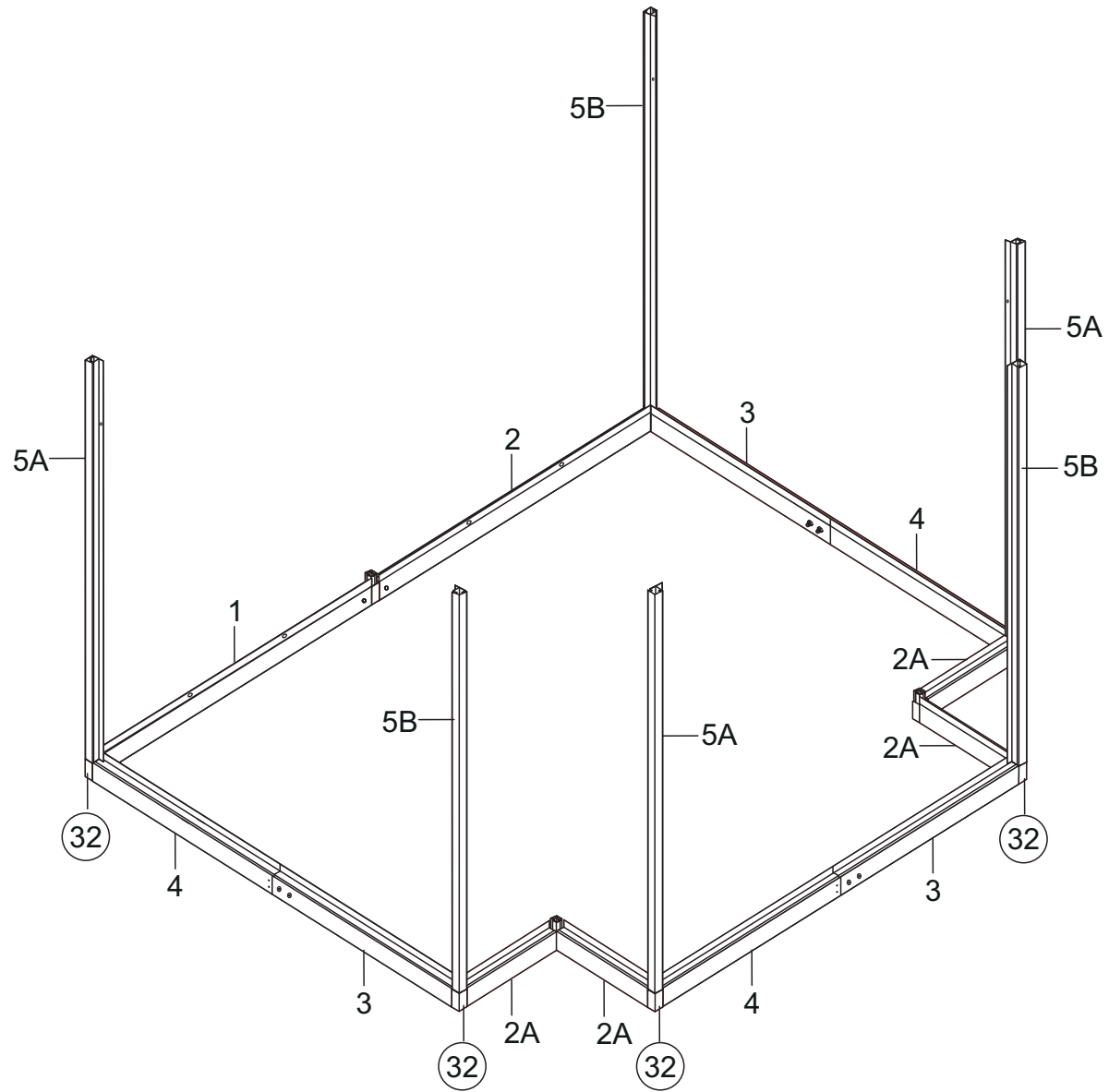
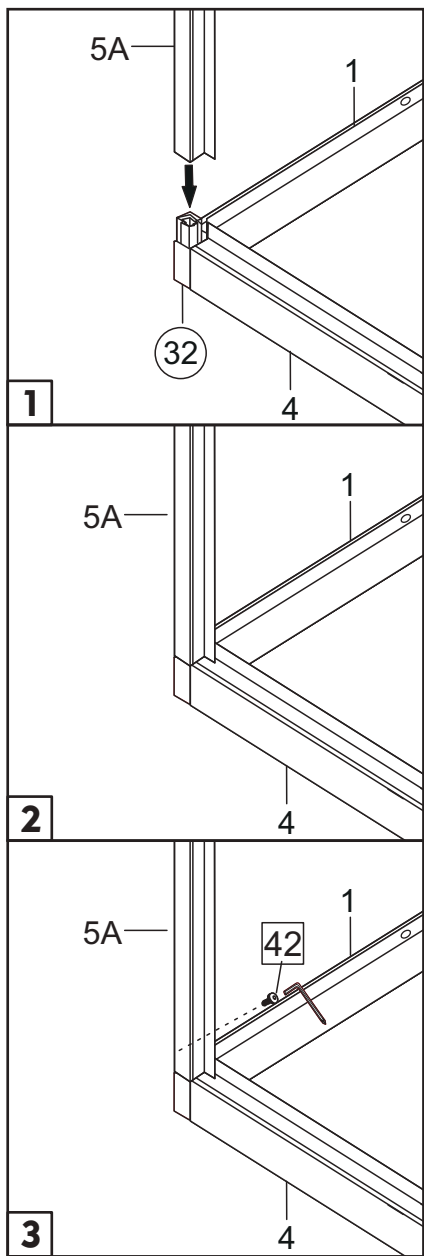
Picture	NO.	Qty.
	1	1
	2	1
	2A	4
	3	3
	4	3
	38	4
	45	6




# STEP 2



Picture	NO.	Qty.
	32	6
	32A	2
	42	16

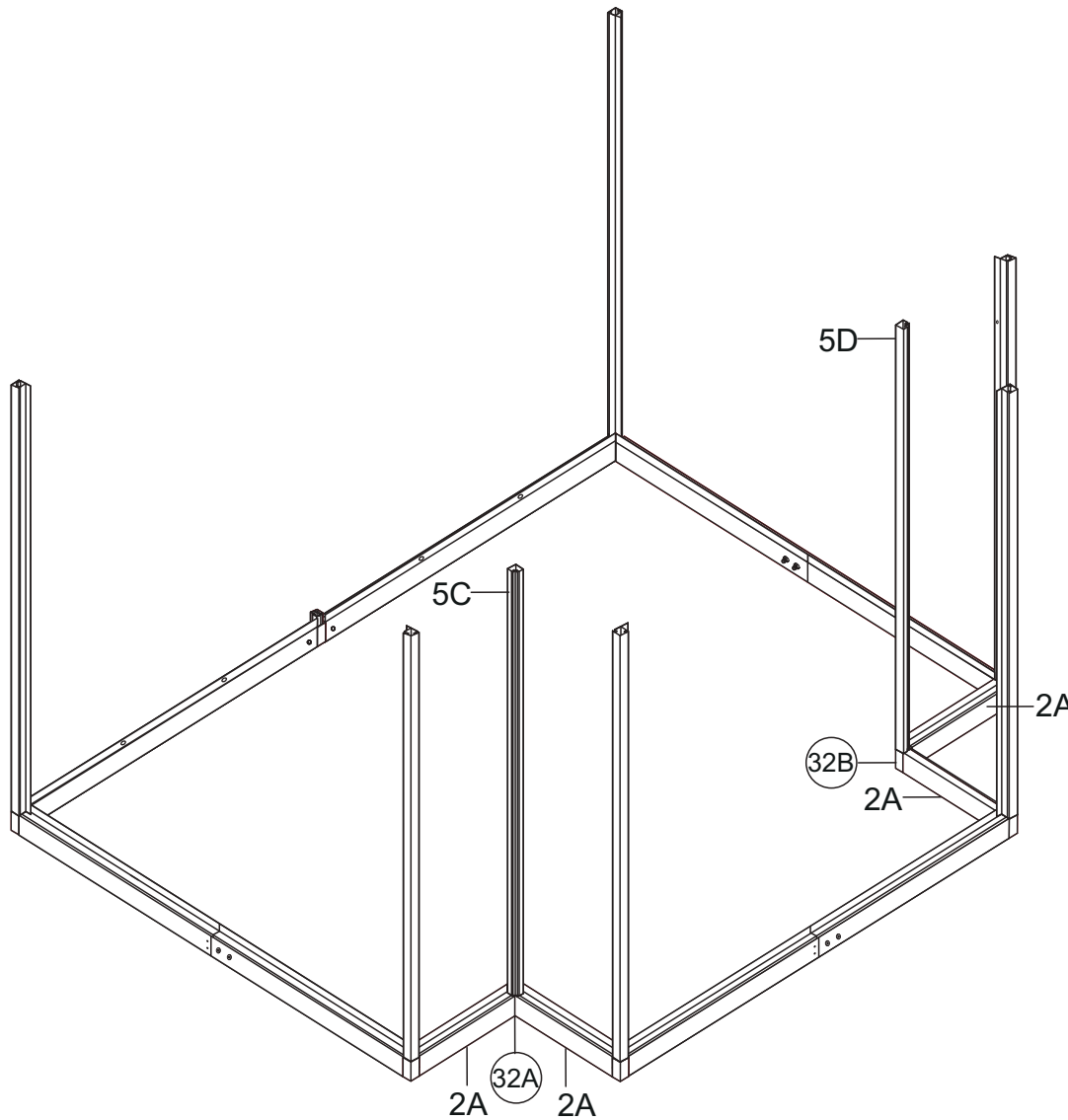
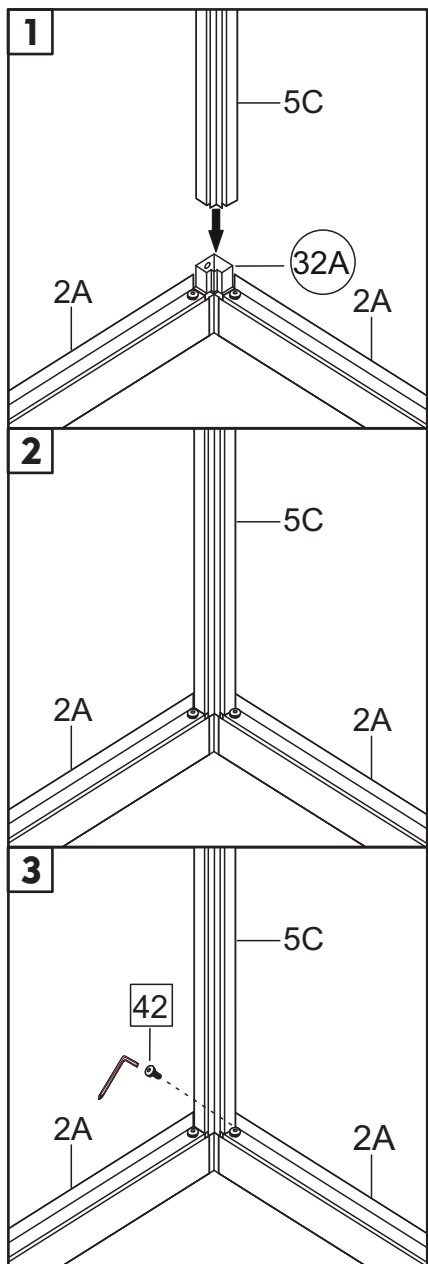
# STEP 3



Picture	NO.	Qty.
	5A	3
	5B	3
	42	6

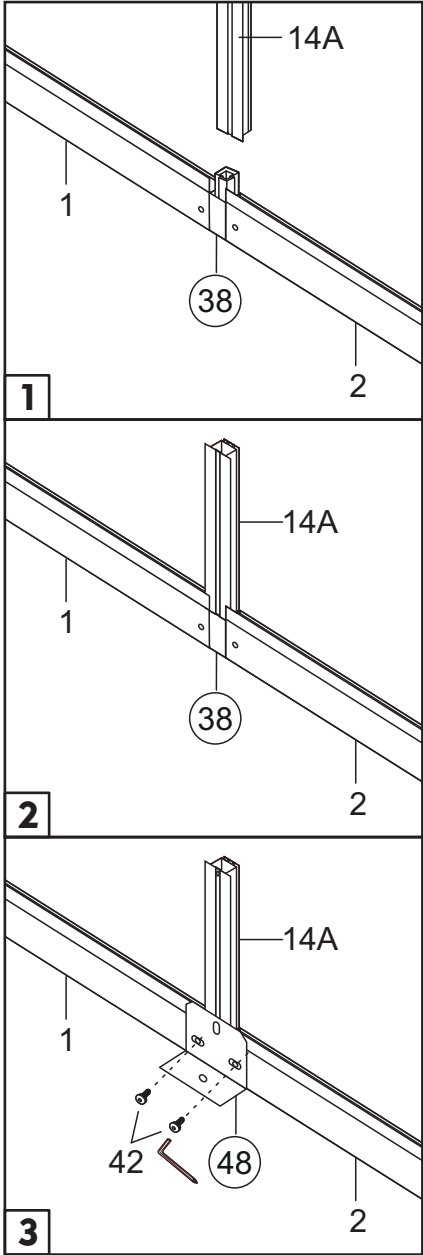
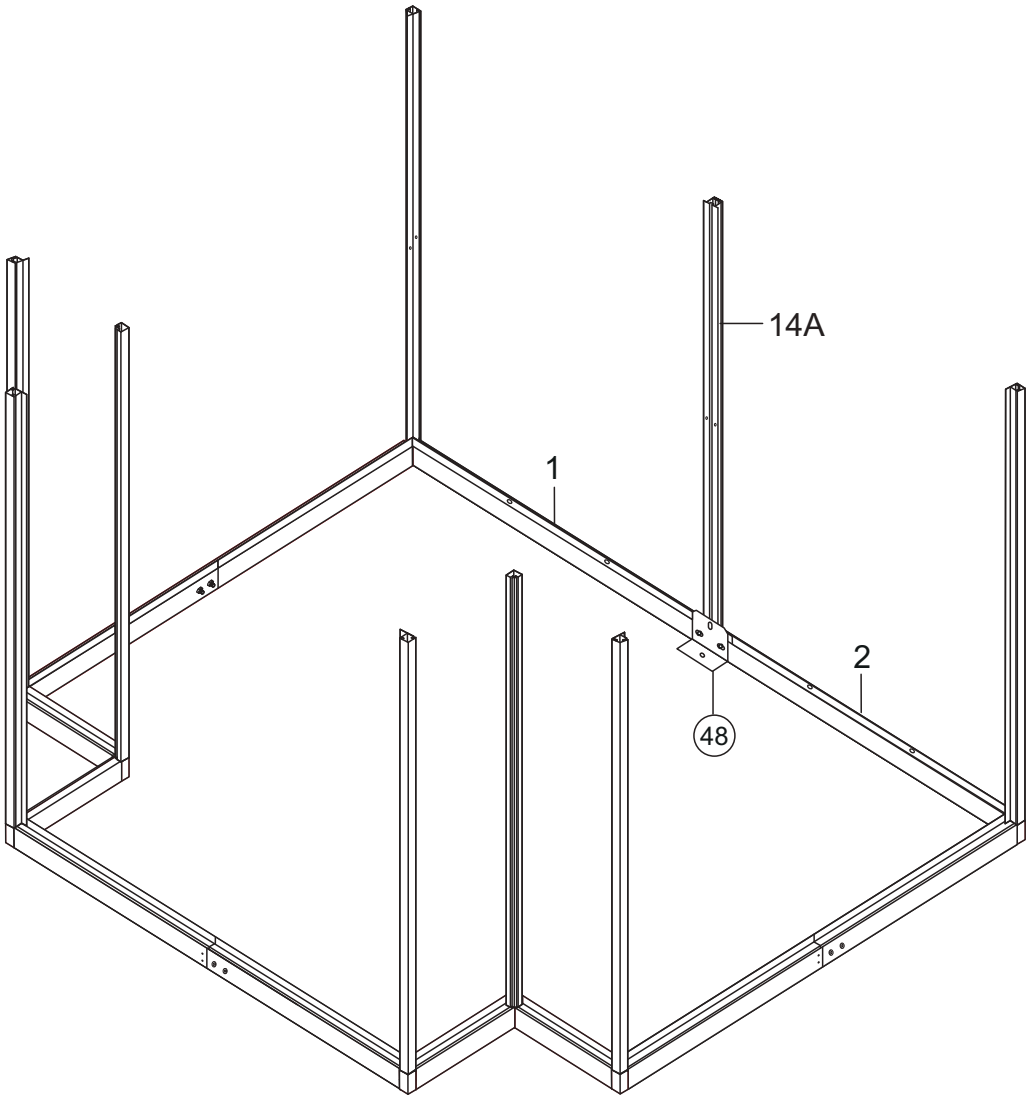


# STEP 4



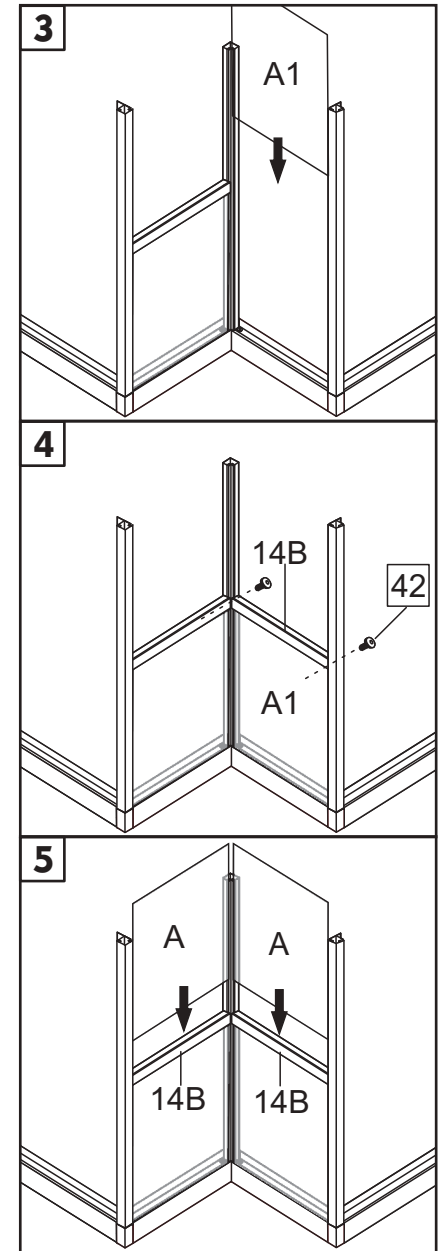
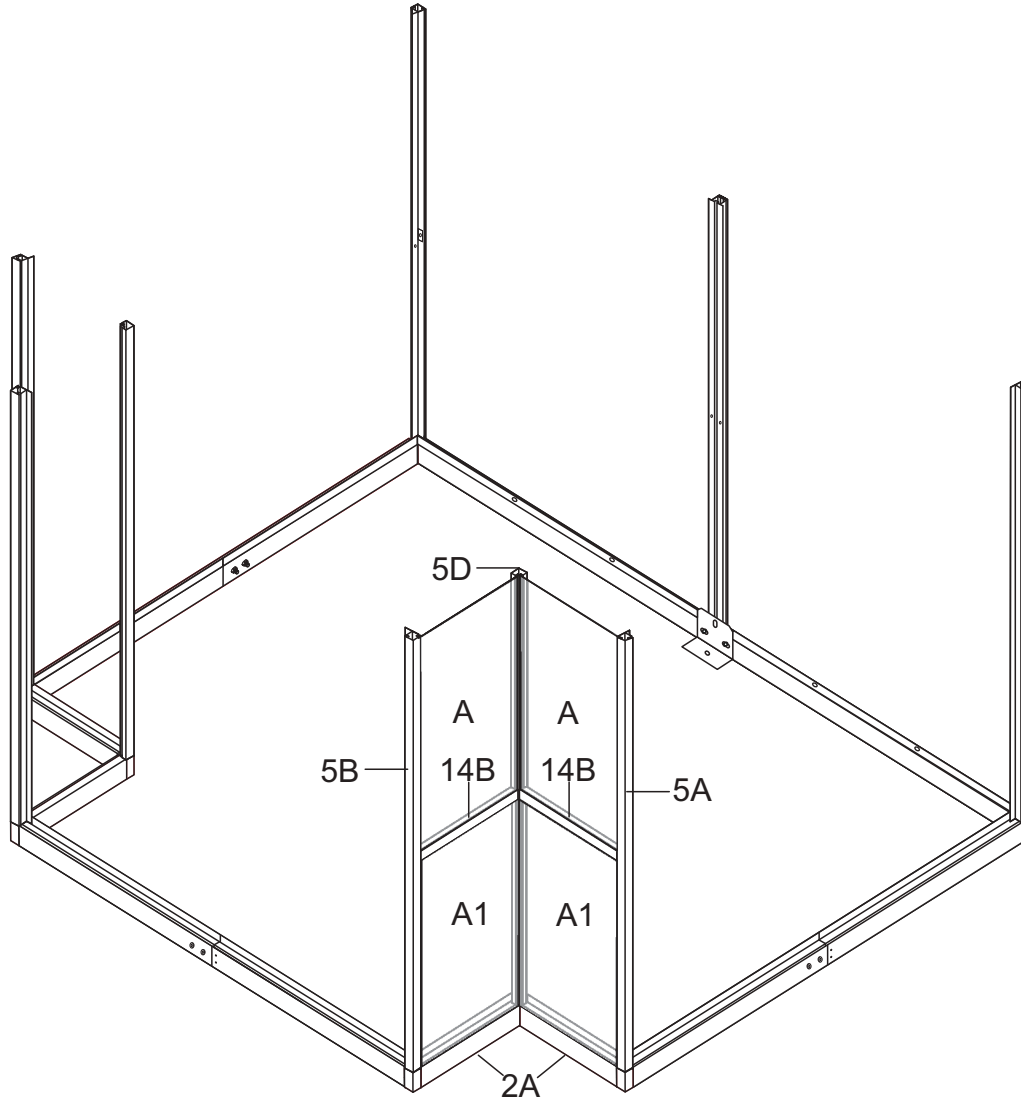
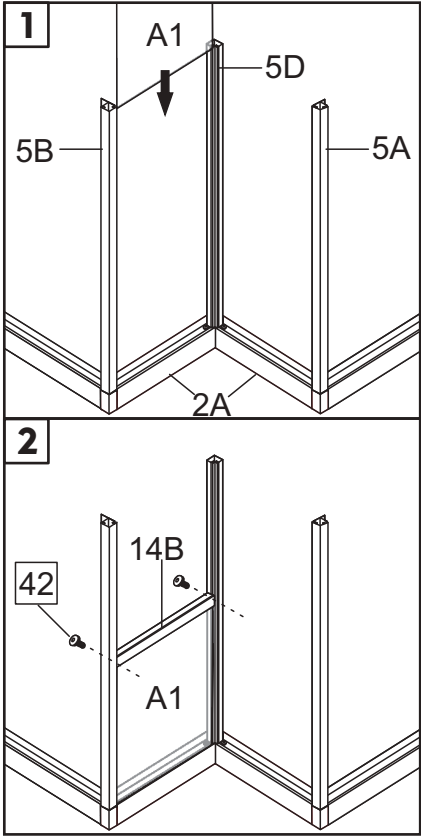
Picture	NO.	Qty.
	5C	1
	5D	1
	42	2





# STEP 5



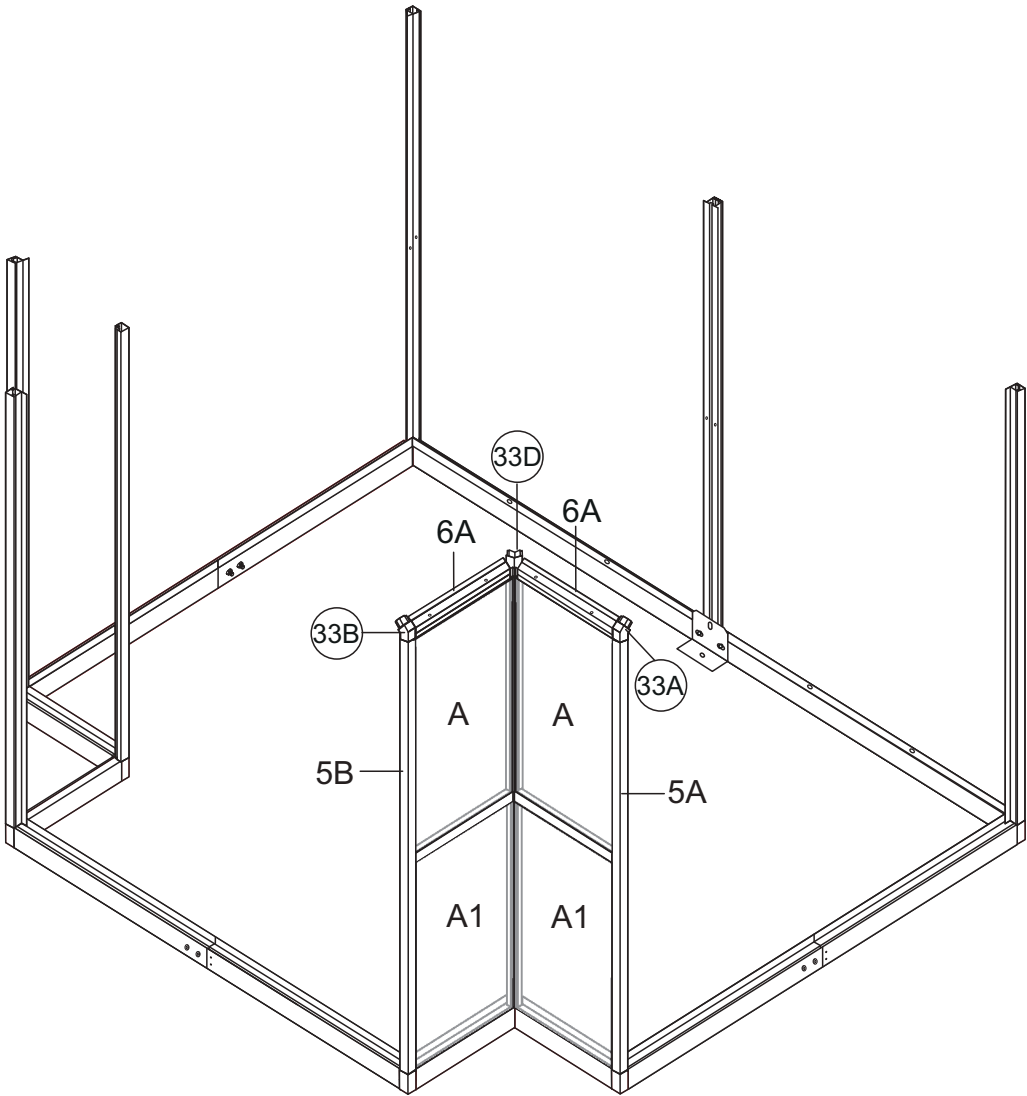
Picture	NO.	Qty.
	14A	1
	42	2
	48	1

# STEP 6

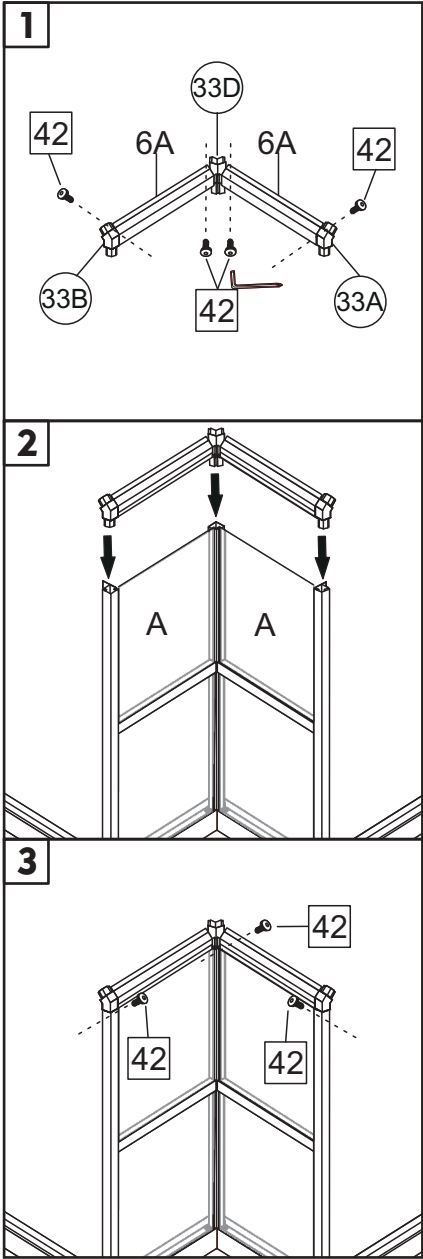


Picture	NO.	Qty.
	14B	2
	42	4
	A1	2
	A	2

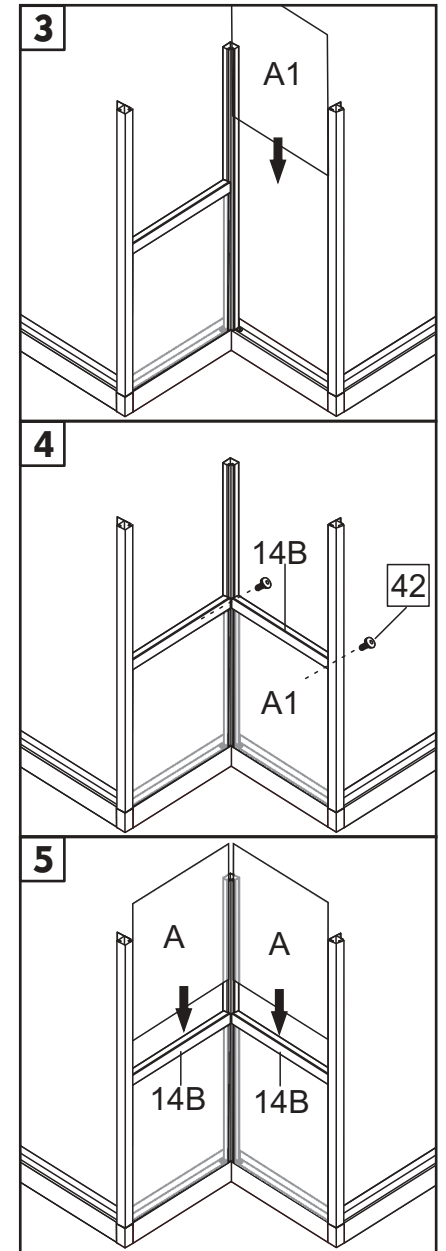
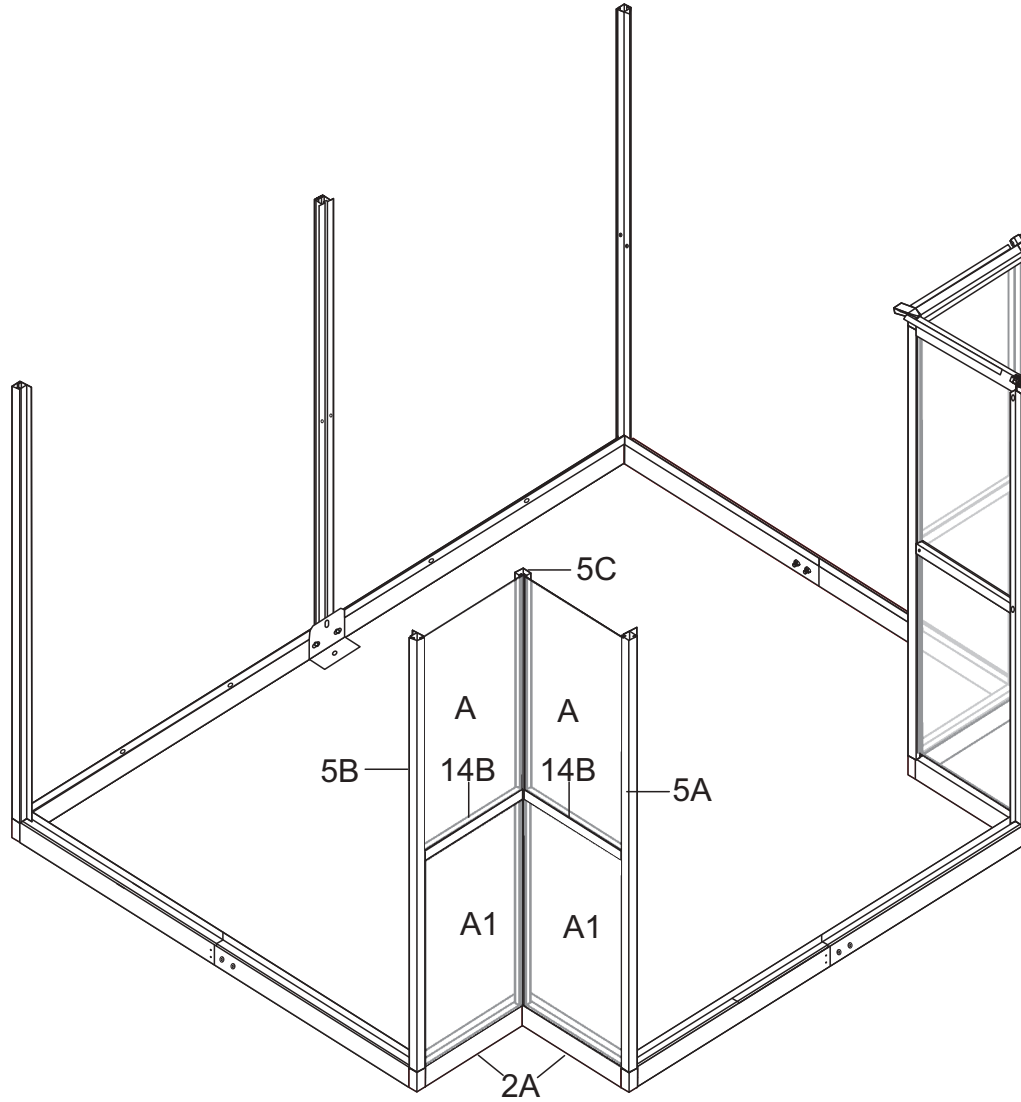
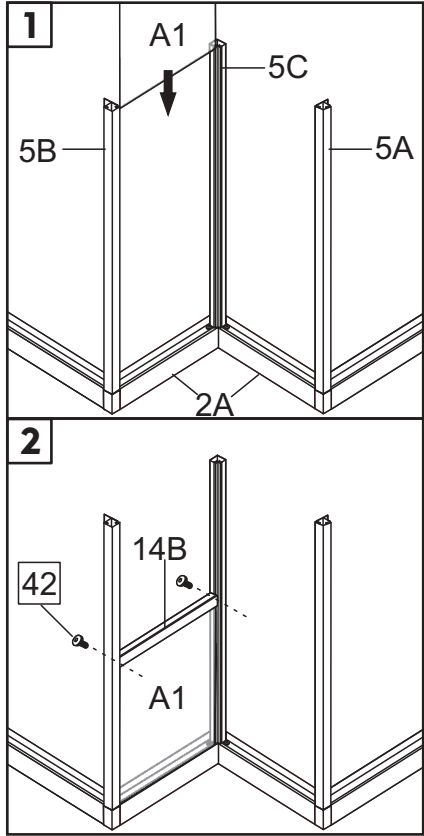
# STEP 7







Picture	NO.	Qty.
	6A	2
	33A	1
	33B	1
	33D	1
	42	7

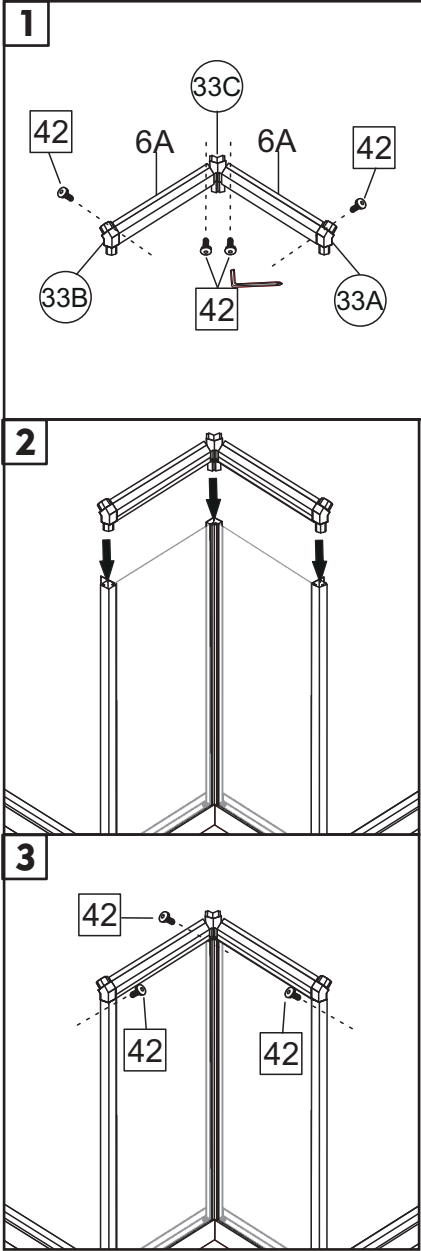
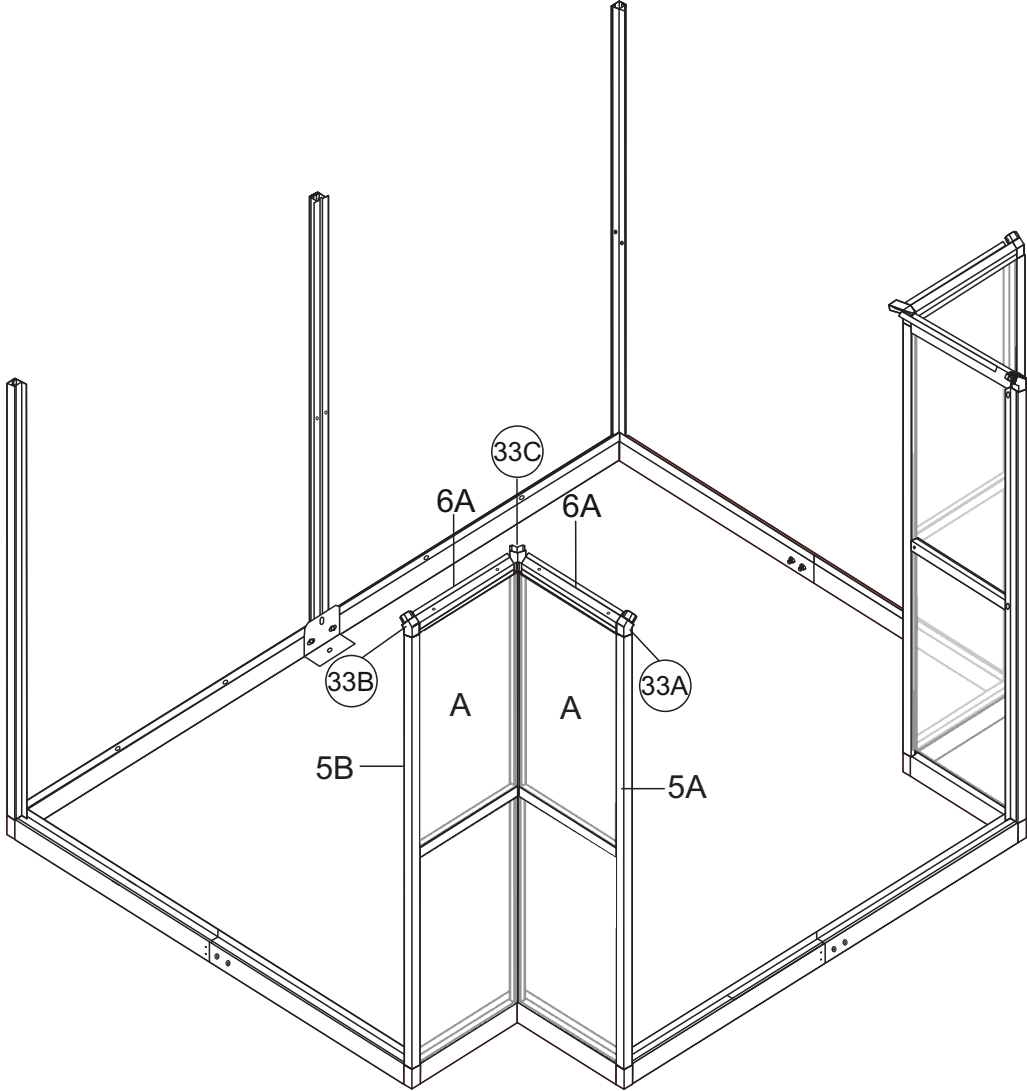


# STEP 8



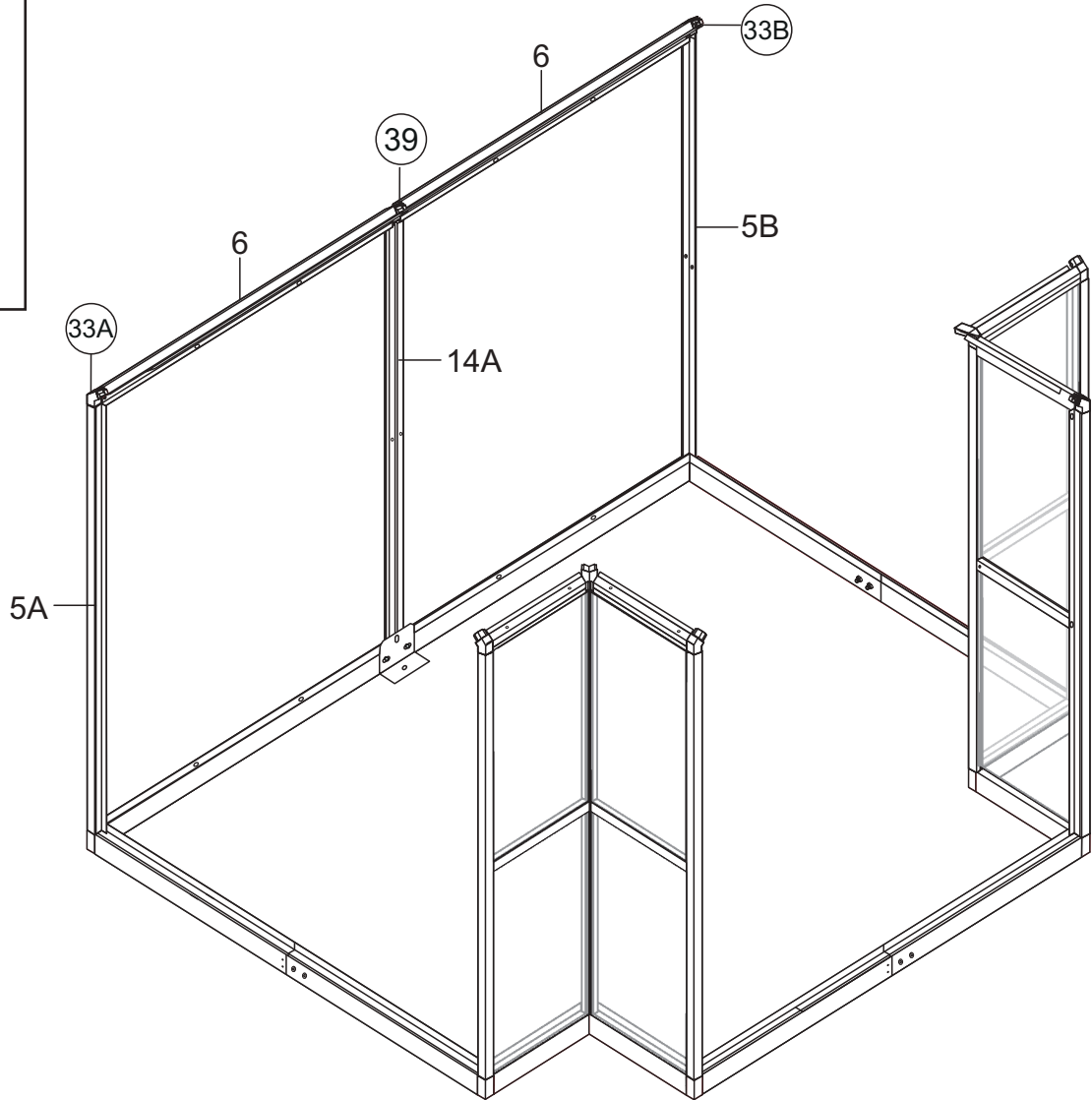
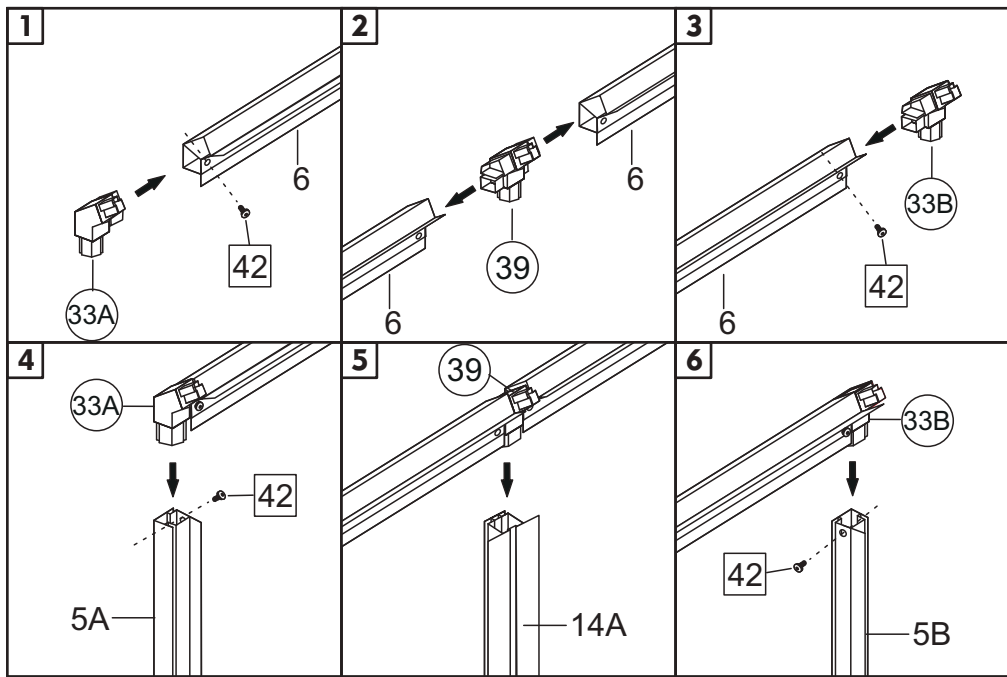
Picture	NO.	Qty.
	14B	2
	42	4
	A1	2
	A	2

# STEP 9



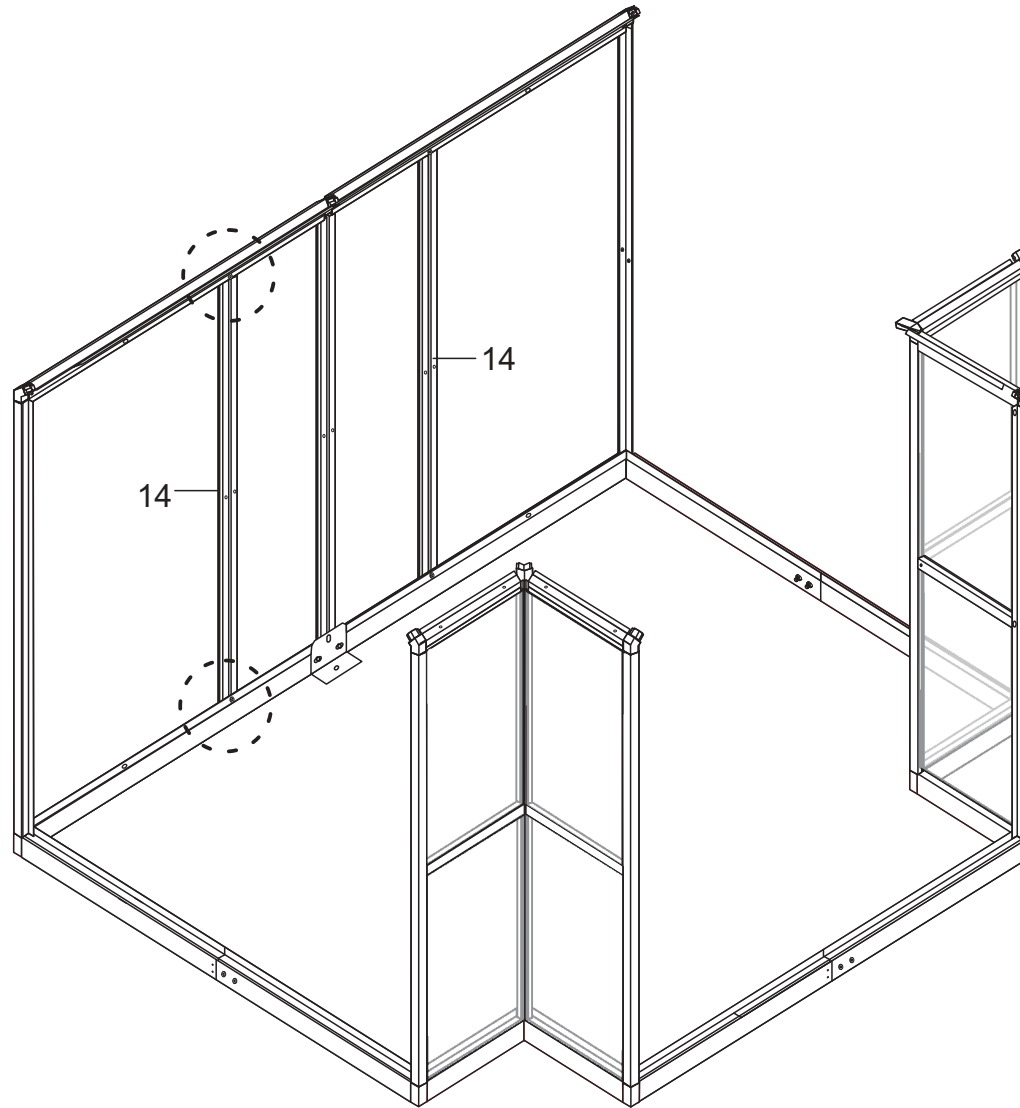
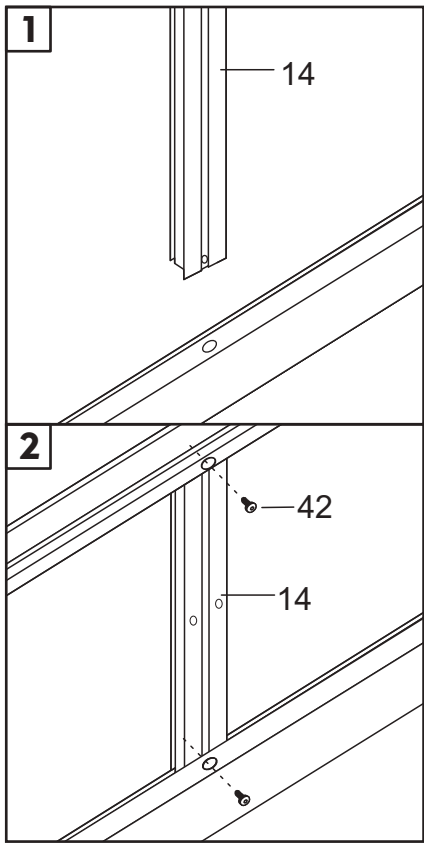
Picture	NO.	Qty.
	6A	2
	33A	1
	33B	1
	33C	1
	42	7



# STEP 10



Picture	NO.	Qty.
	6	2
	33A	1
	33B	1
	39	1
	42	4

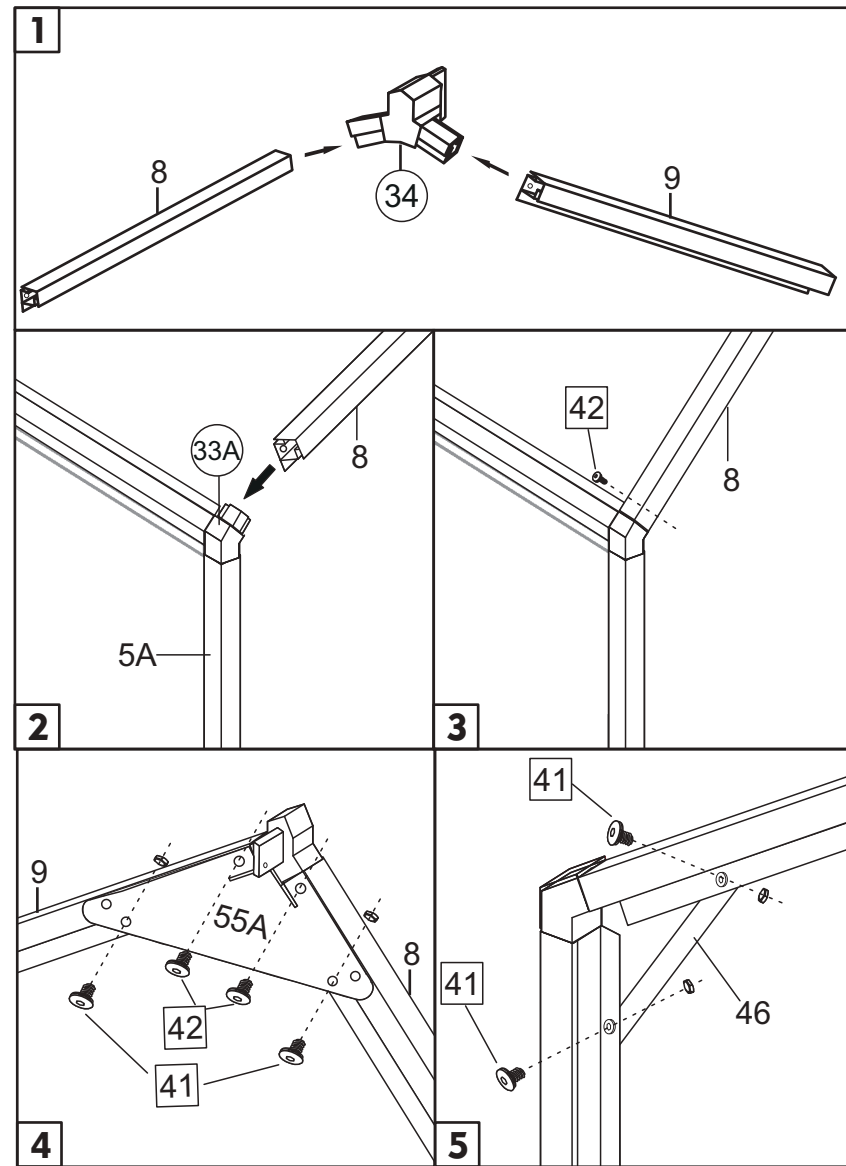
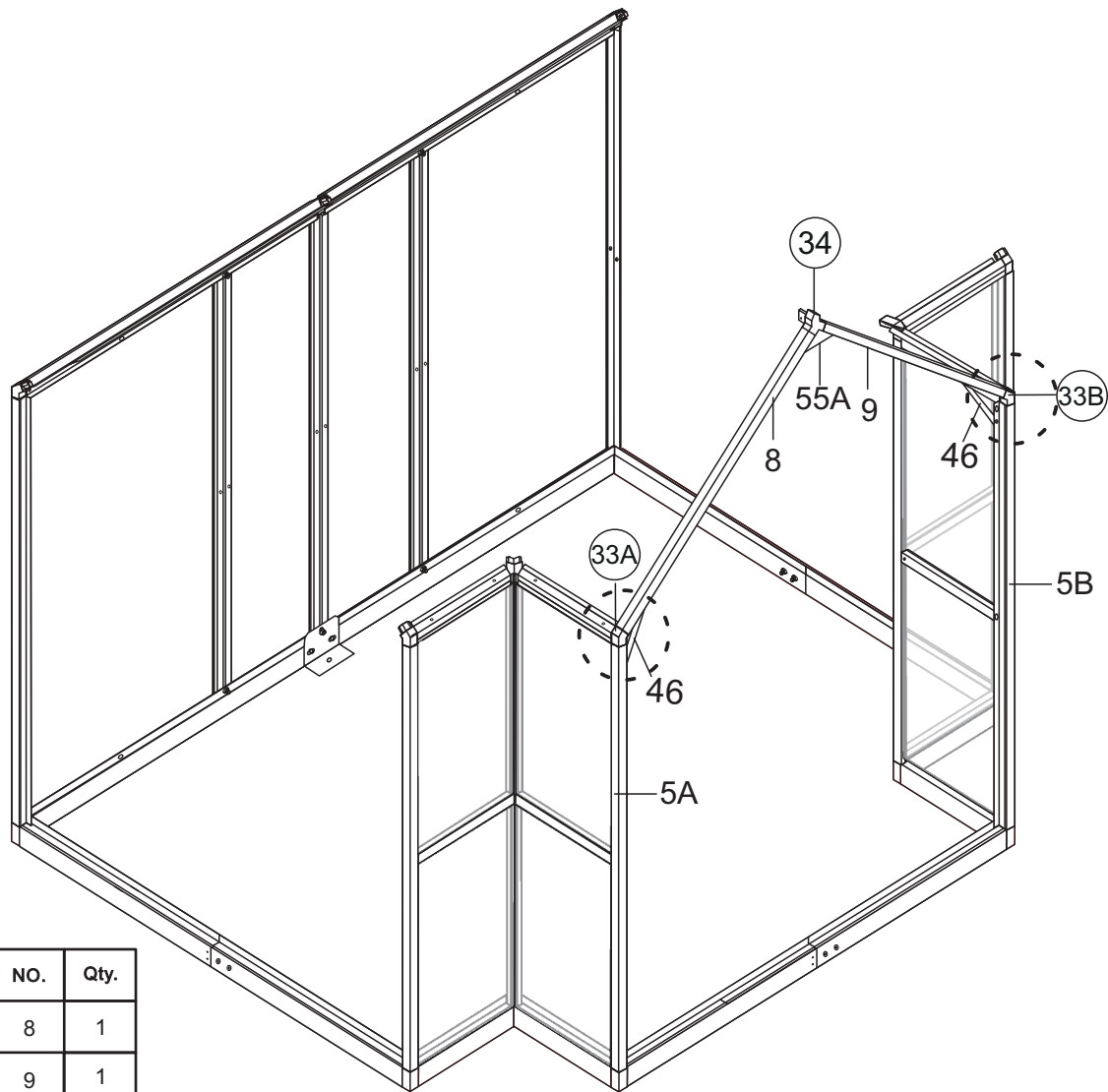
# STEP 11



Picture	NO.	Qty.
	14	2
	42	4

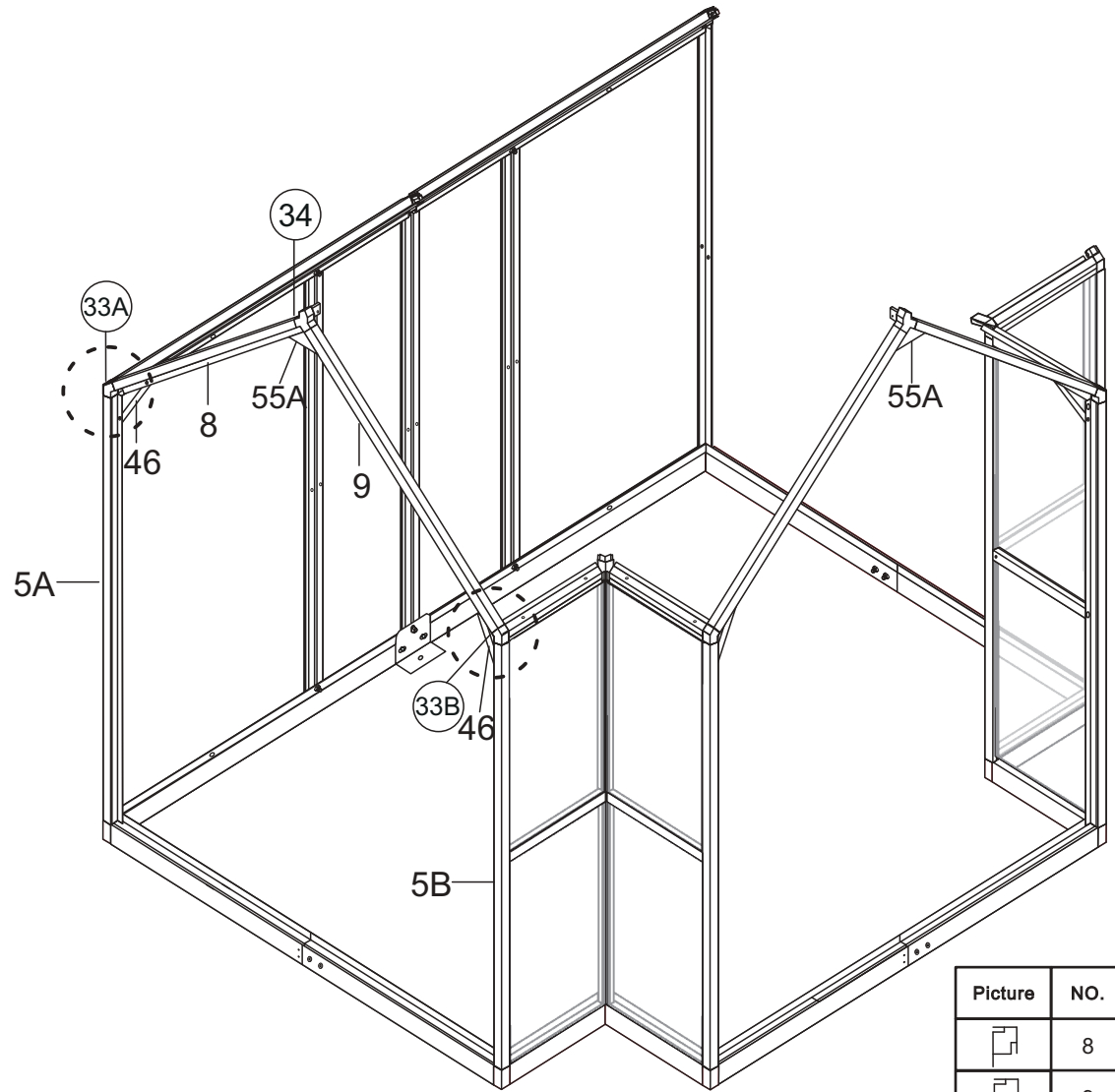
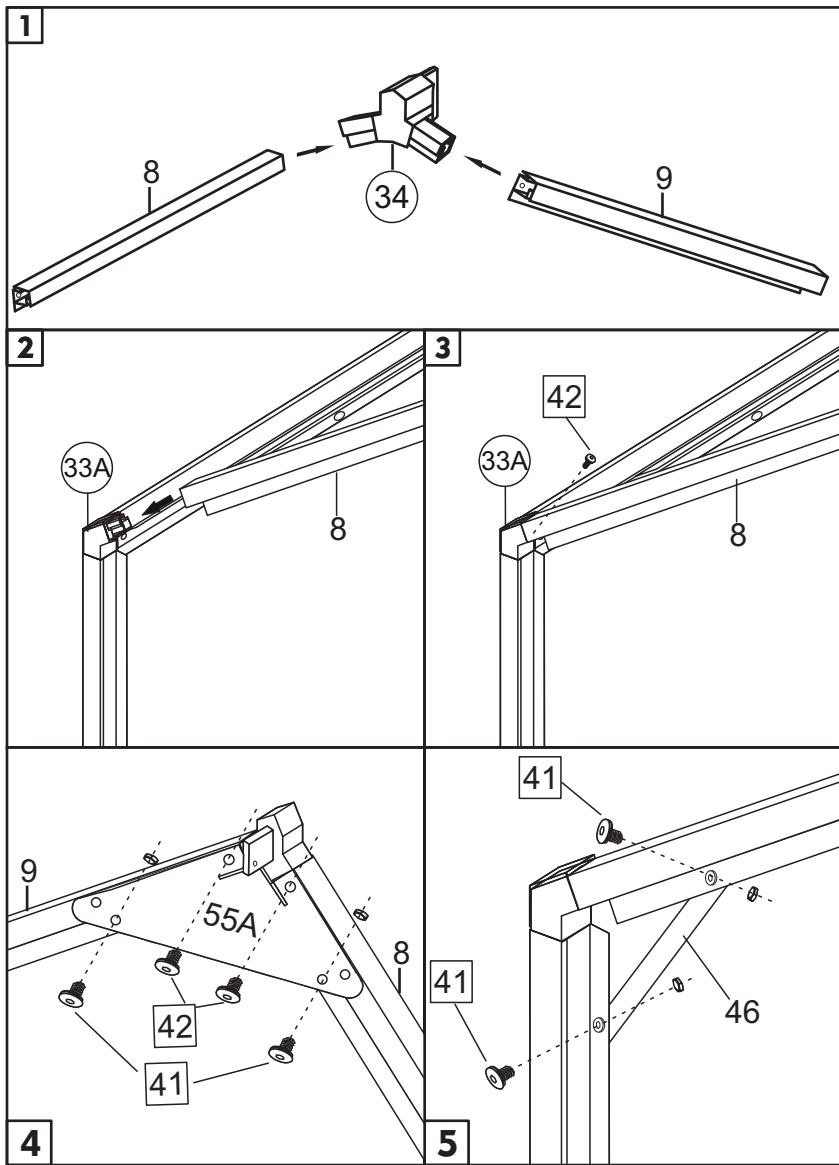


# STEP 12



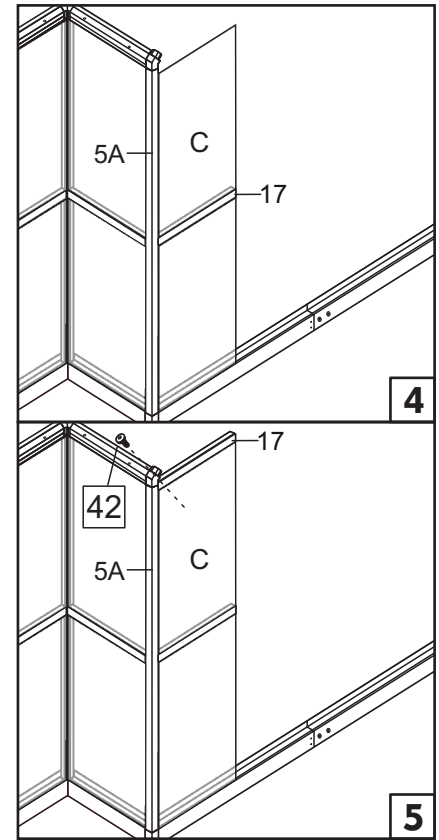
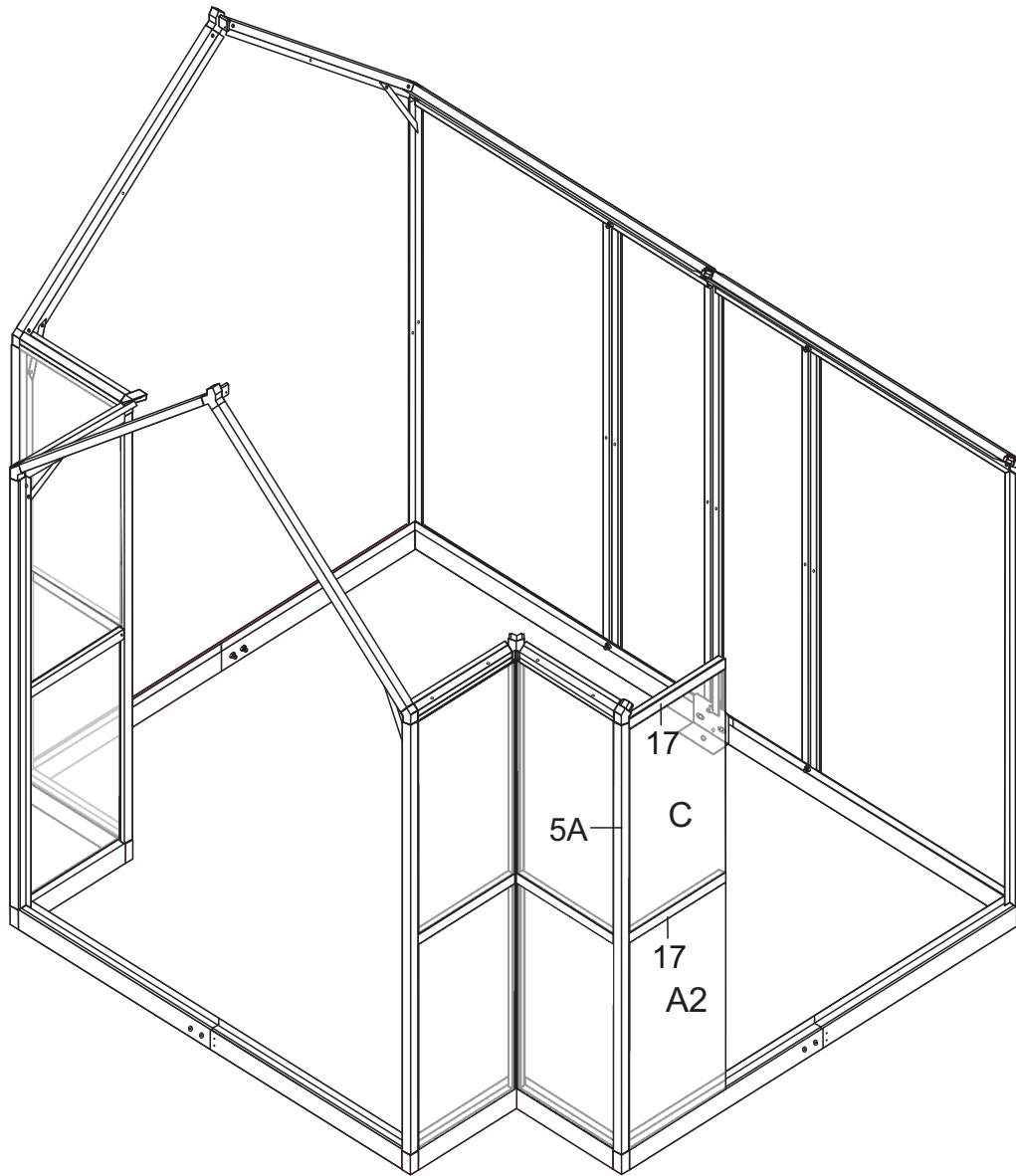
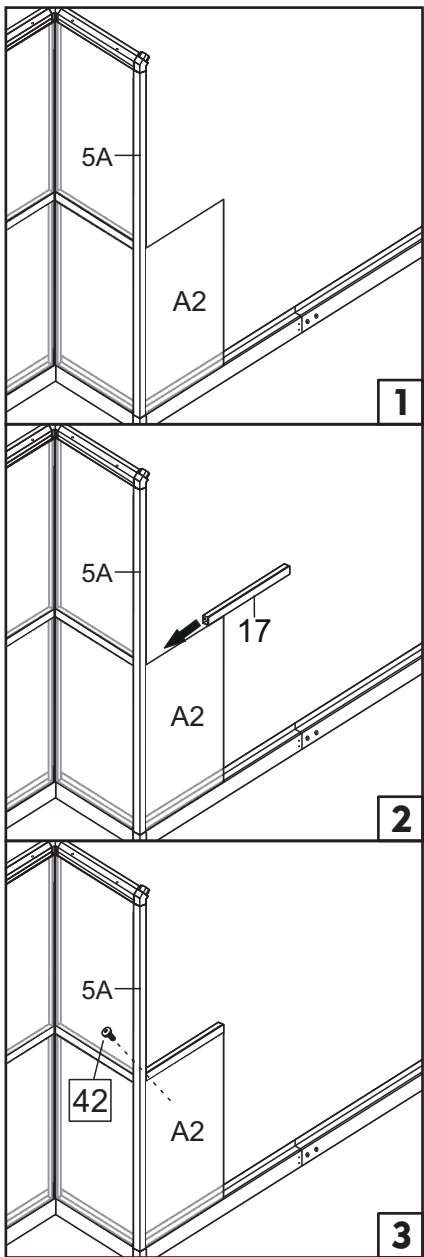
Picture	NO.	Qty.
	8	1
	9	1
	34	1
	42	4
	41	6
	46	2
	55A	1

# STEP 13



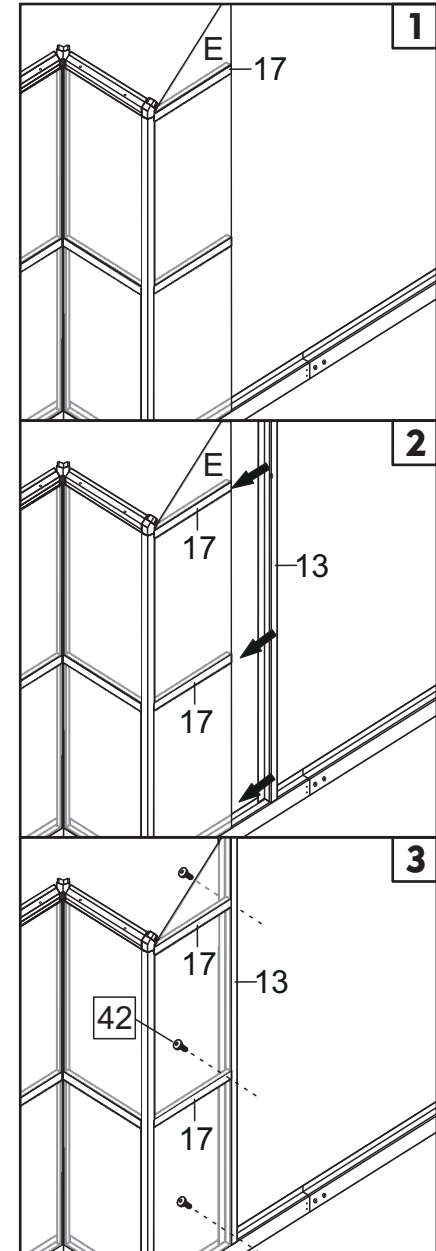
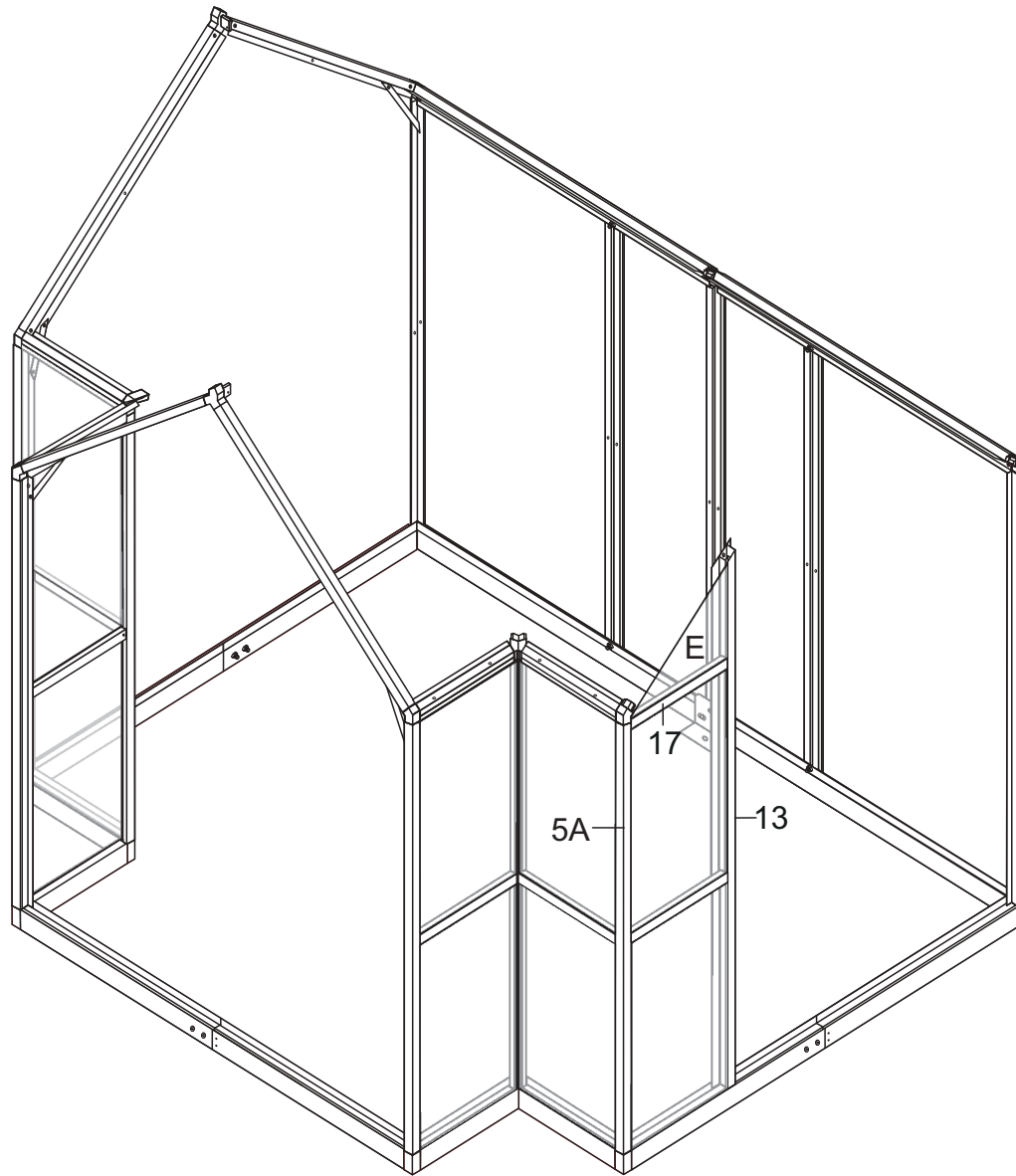
Picture	NO.	Qty.
	8	1
	9	1
	34	1
	46	2
	55A	1
	42	4
	41	6

# STEP 14



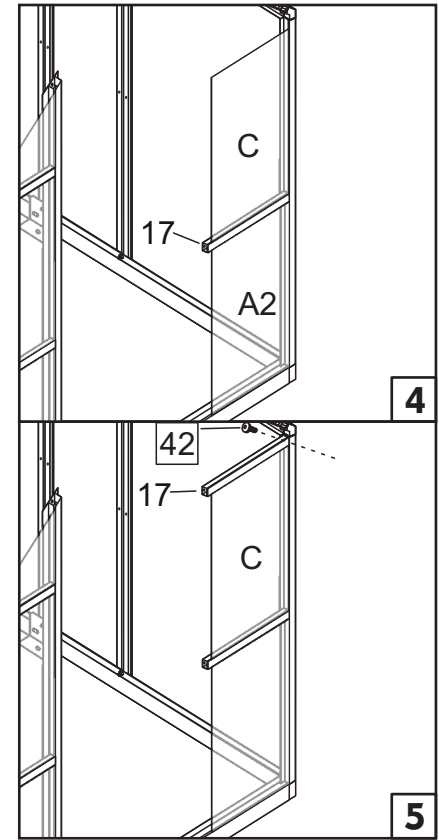
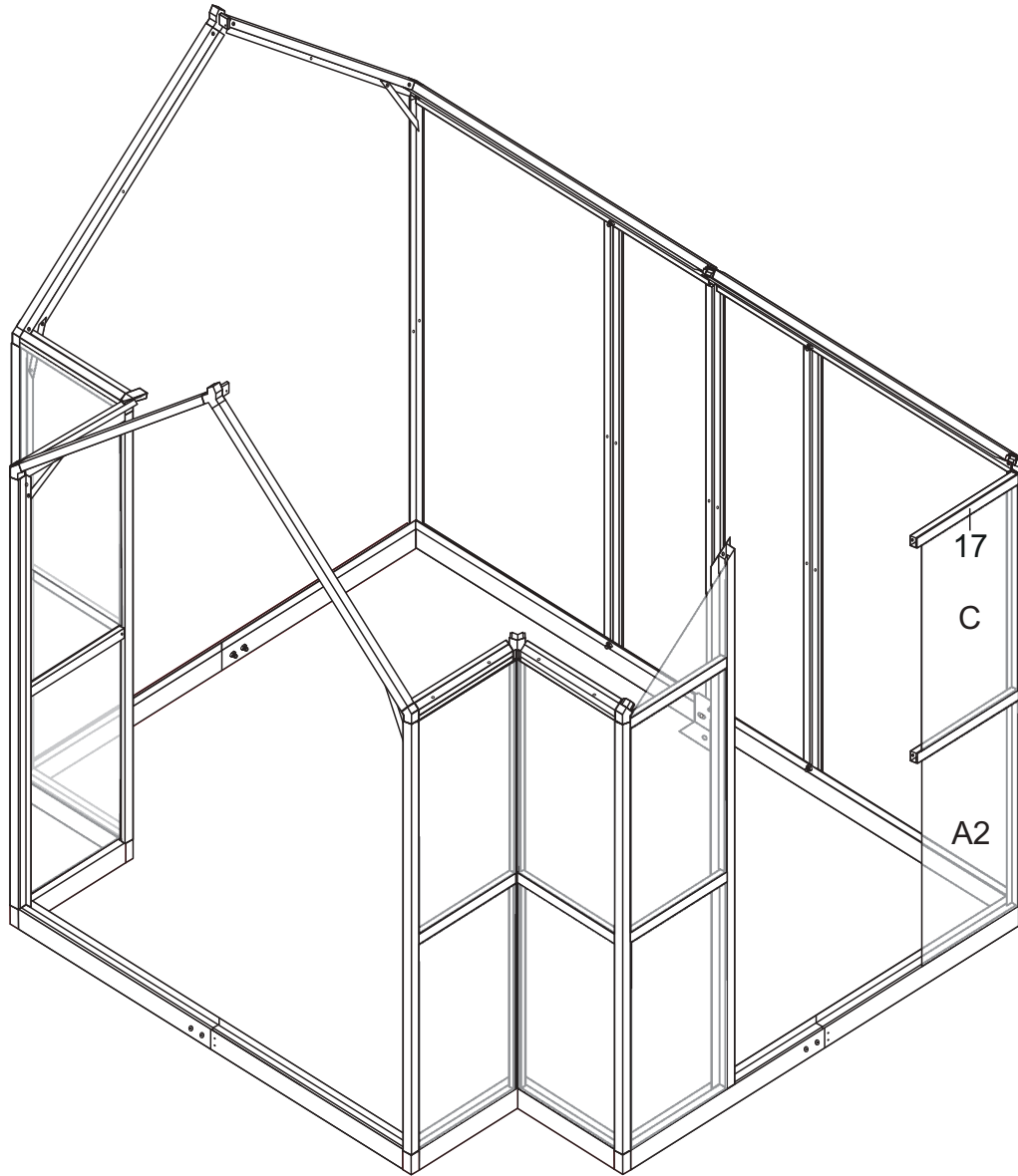
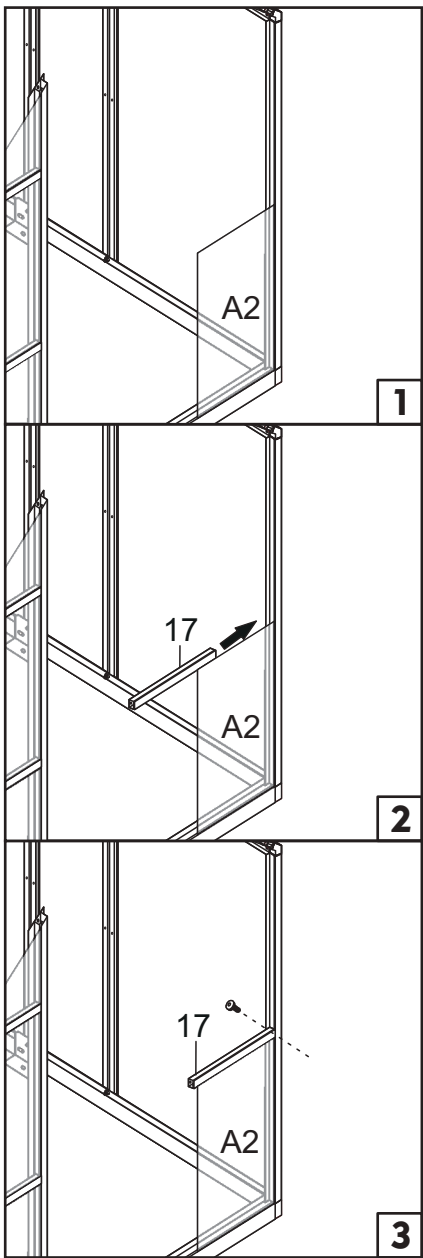
Picture	NO.	Qty.
	C	1
	A2	1
	17	2
	42	2





# STEP 15



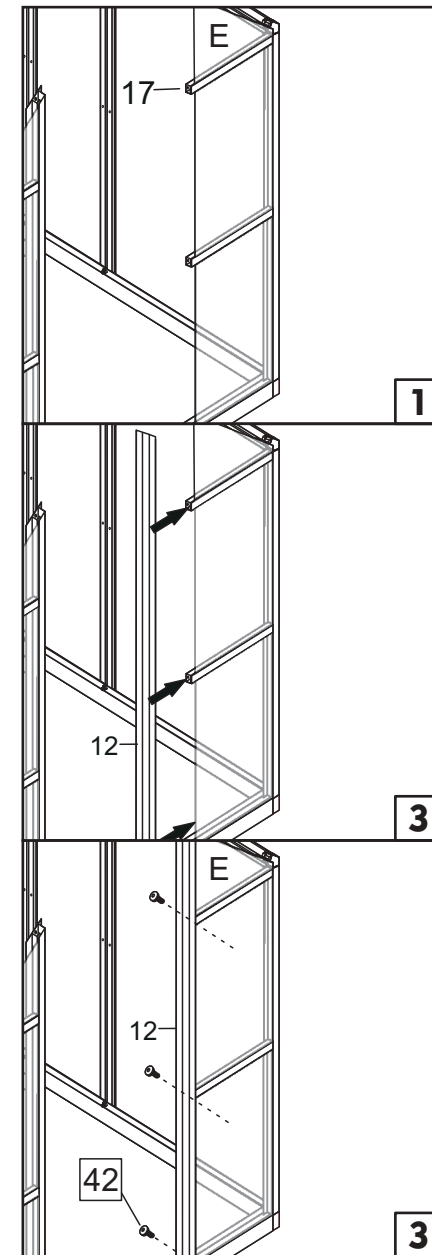
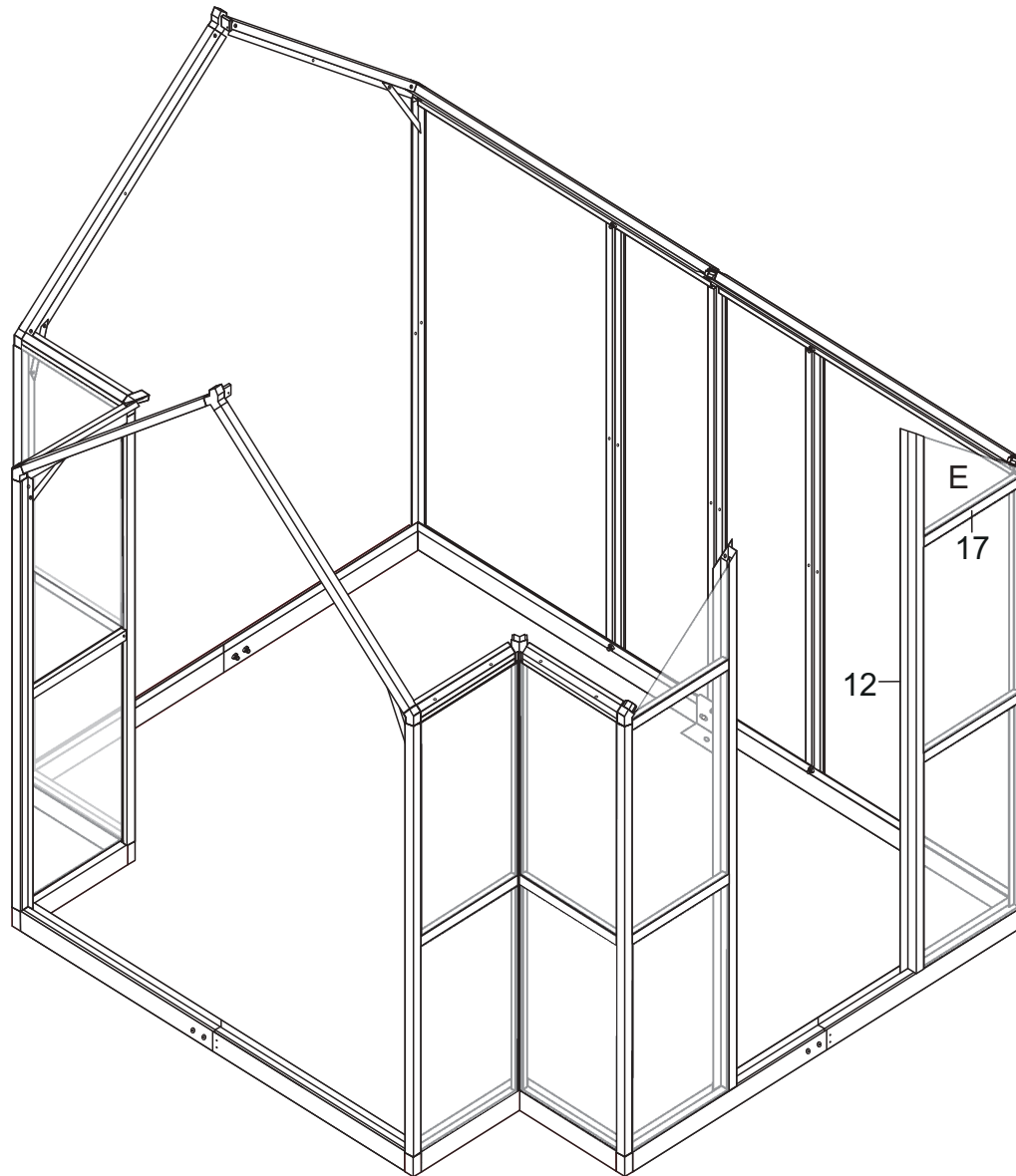
Picture	NO.	Qty.
	E	1
	13	1
	42	3




# STEP 16



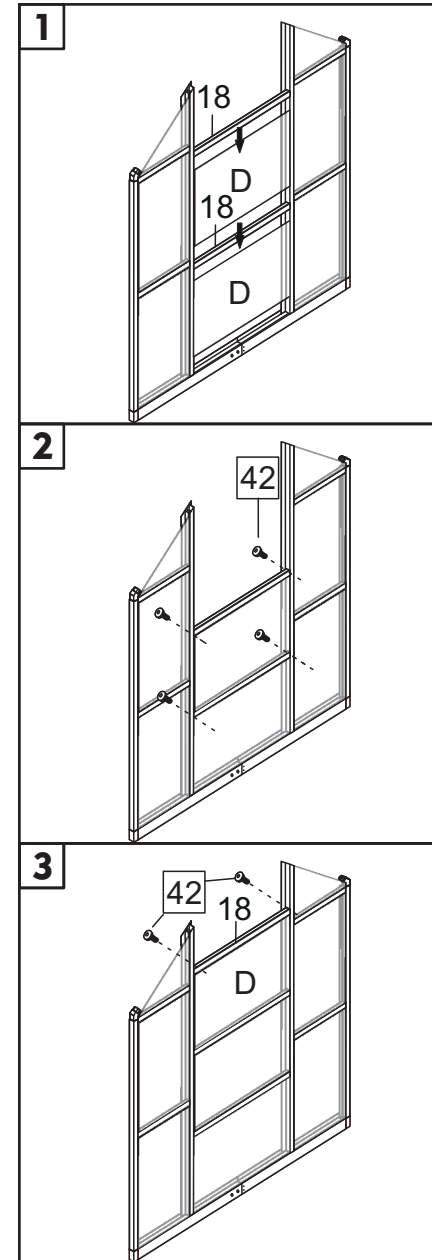
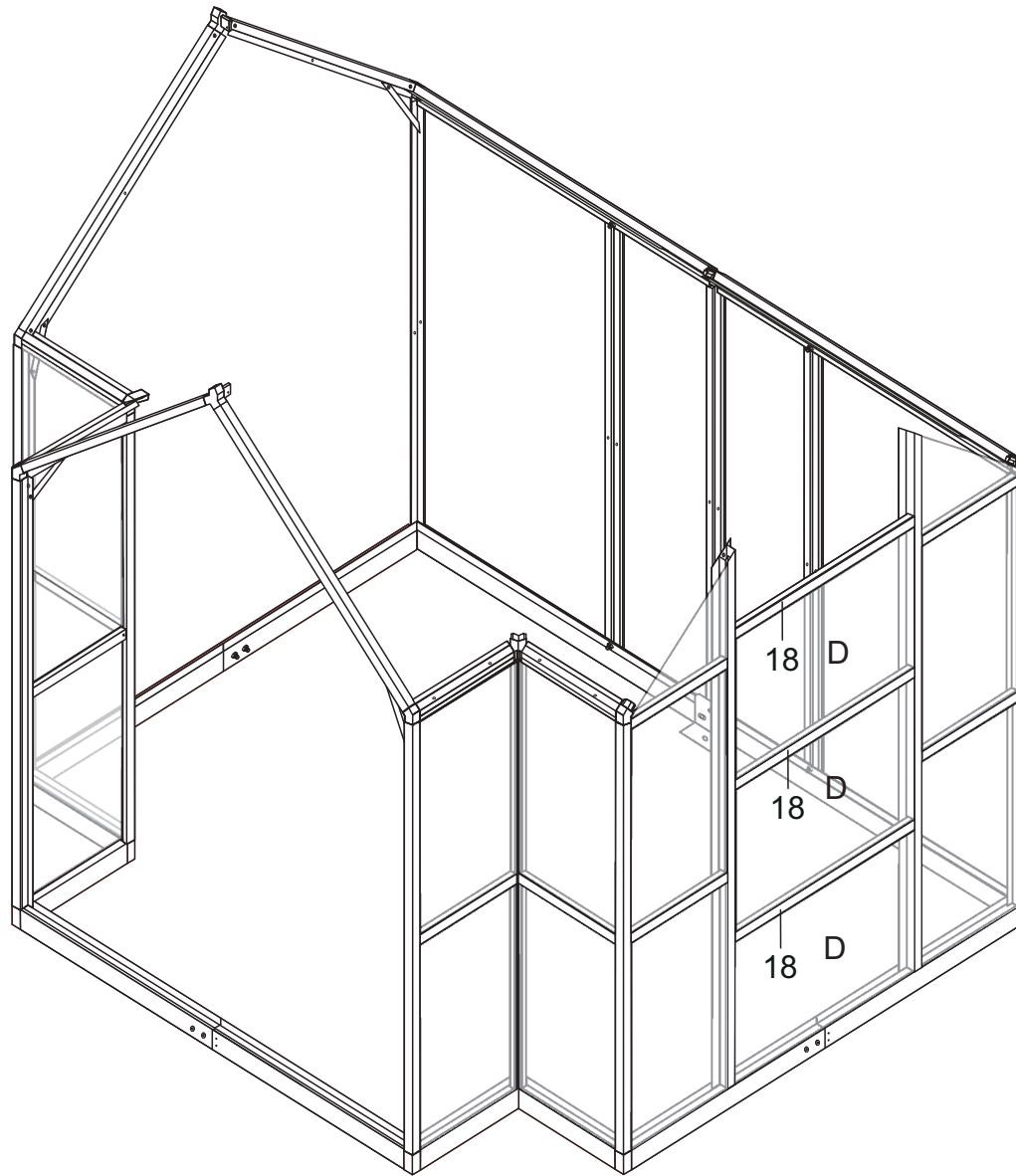
Picture	NO.	Qty.
	C	1
	A2	1
	17	2
	42	2

# STEP 17



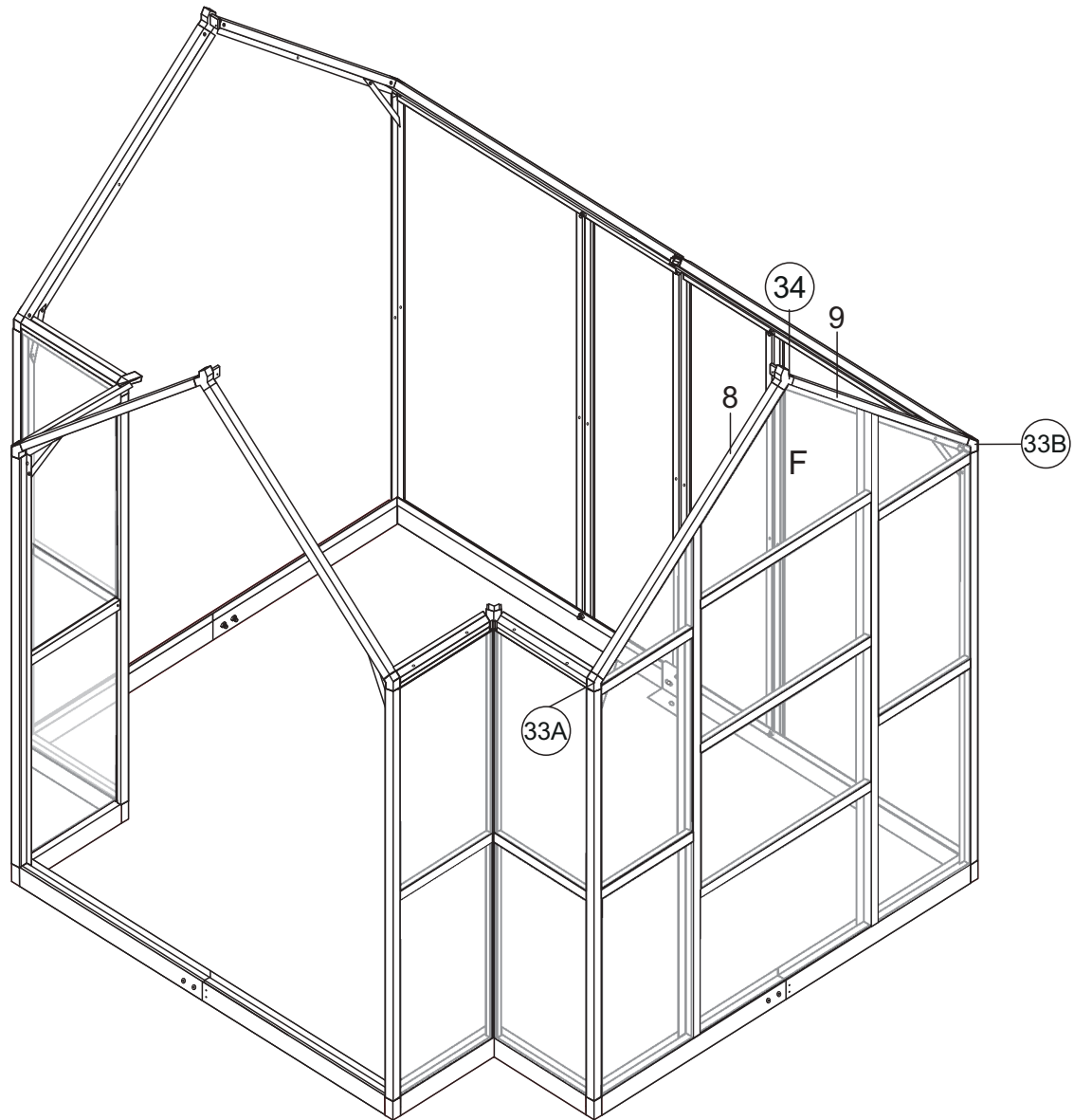
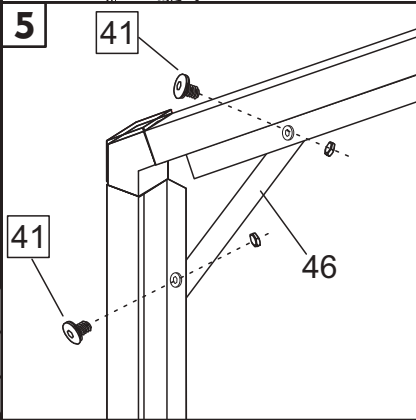
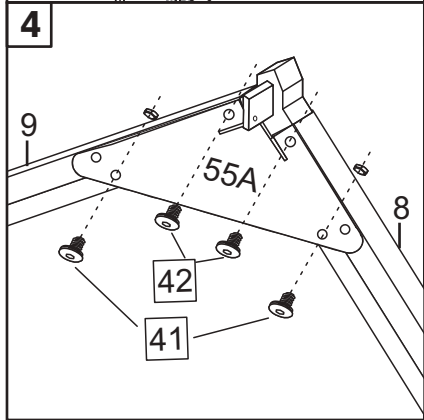
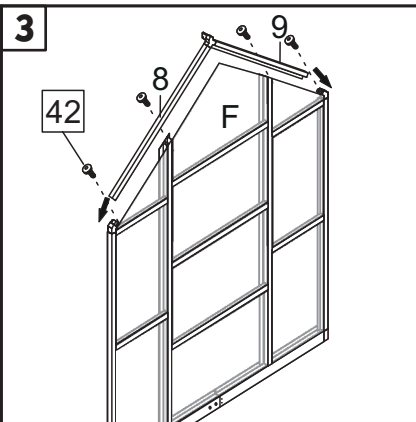
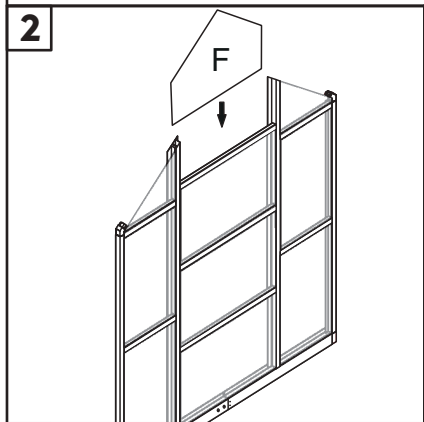
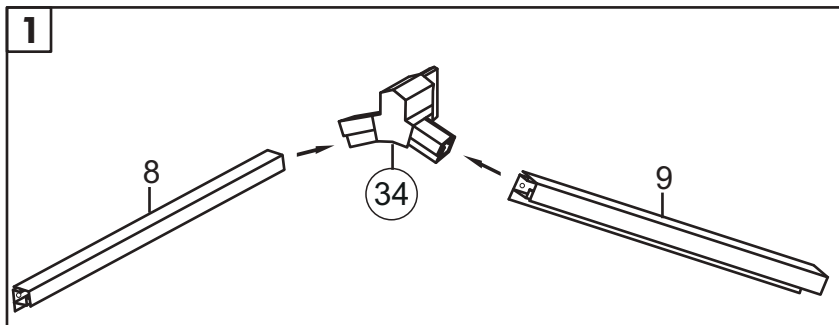
Picture	NO.	Qty.
	E	1
	12	1
	42	3

# STEP 18



Picture	NO.	Qty.
	D	3
	18	3
	42	6

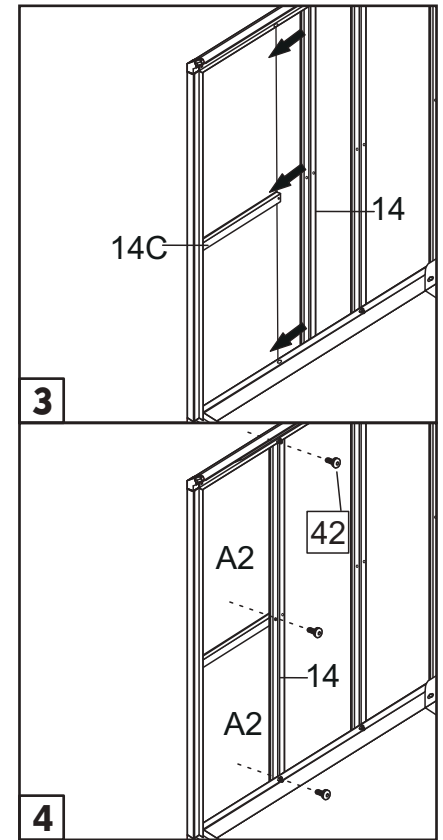
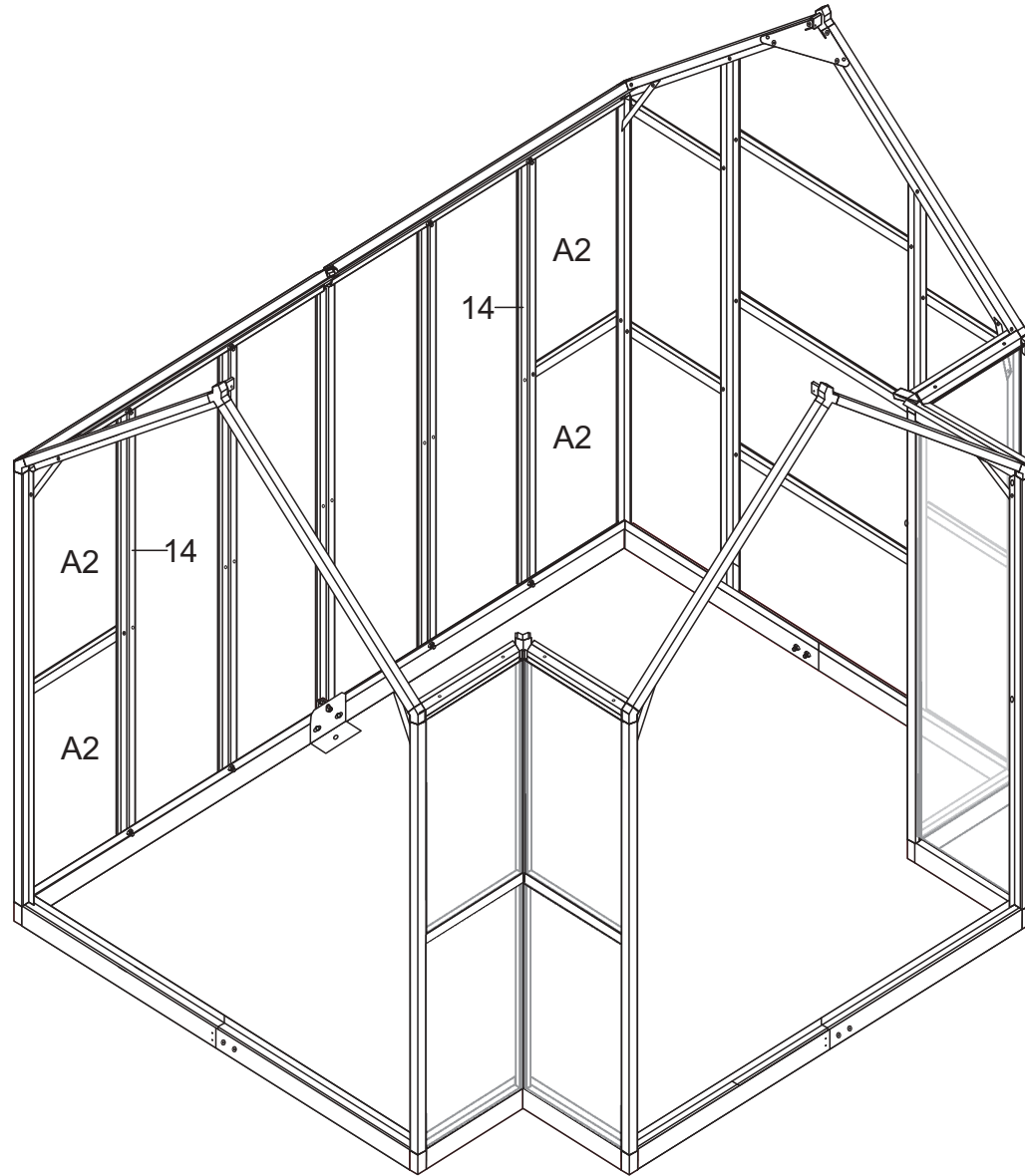
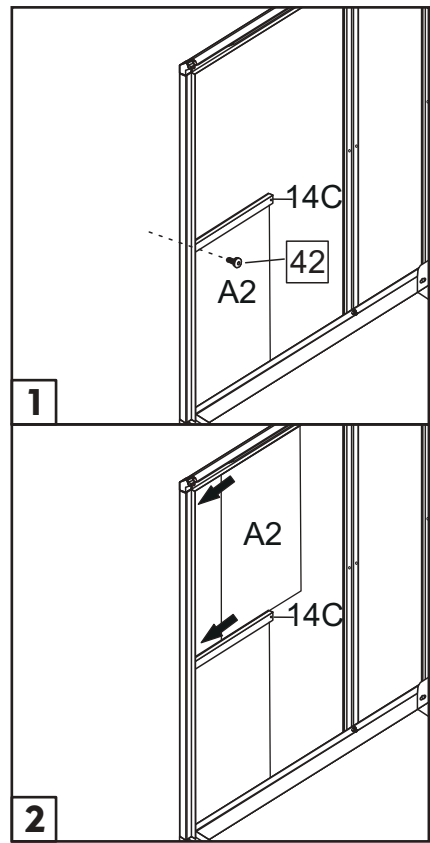
# STEP 19







Picture	NO.	Qty.				
	F	1				
	8	1				
	9	1		41	6	
	34	1		46	2	
	42	6		55A	1	

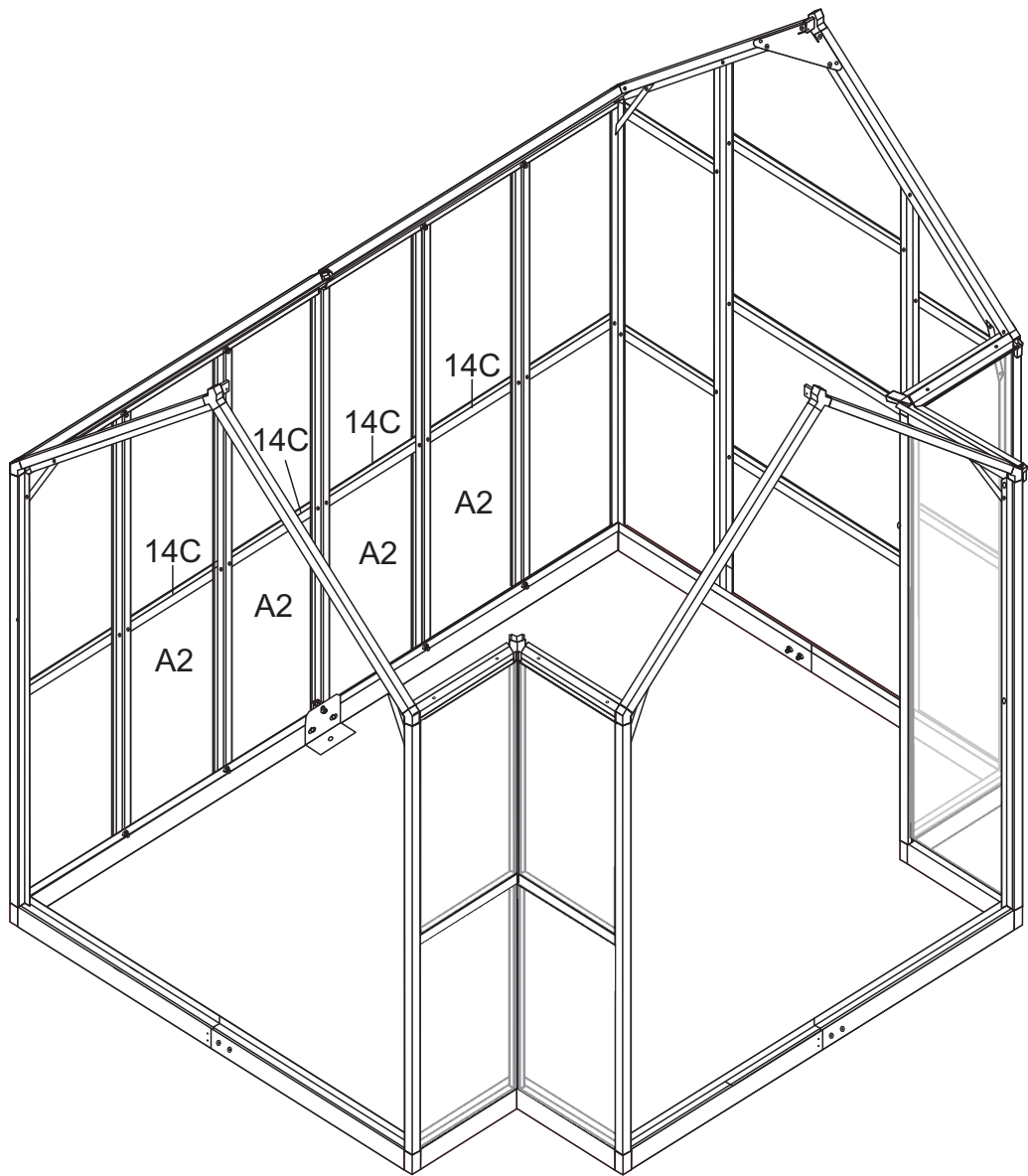


# STEP 20

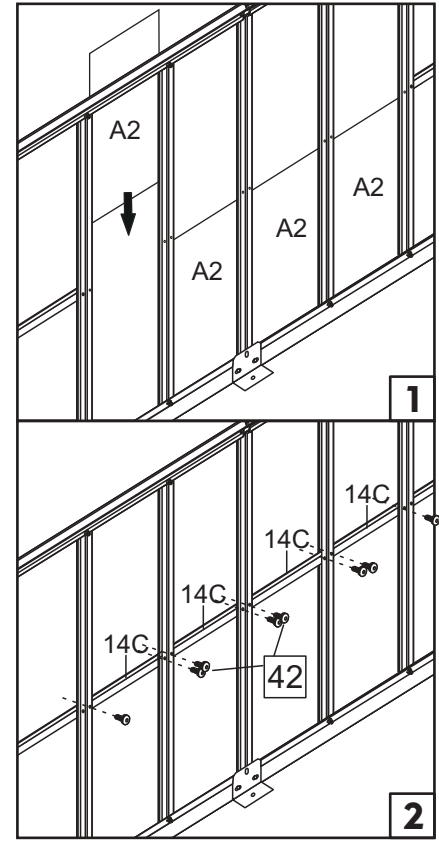


Picture	NO.	Qty.
	A2	4
	14	2
	14C	2
	42	8

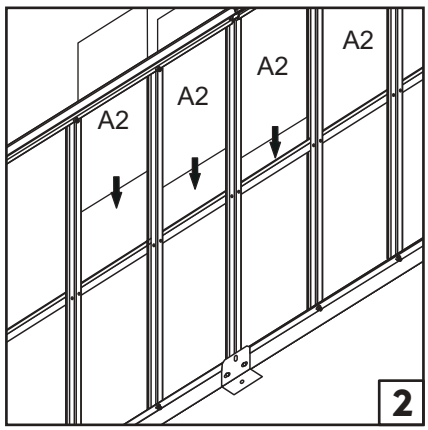
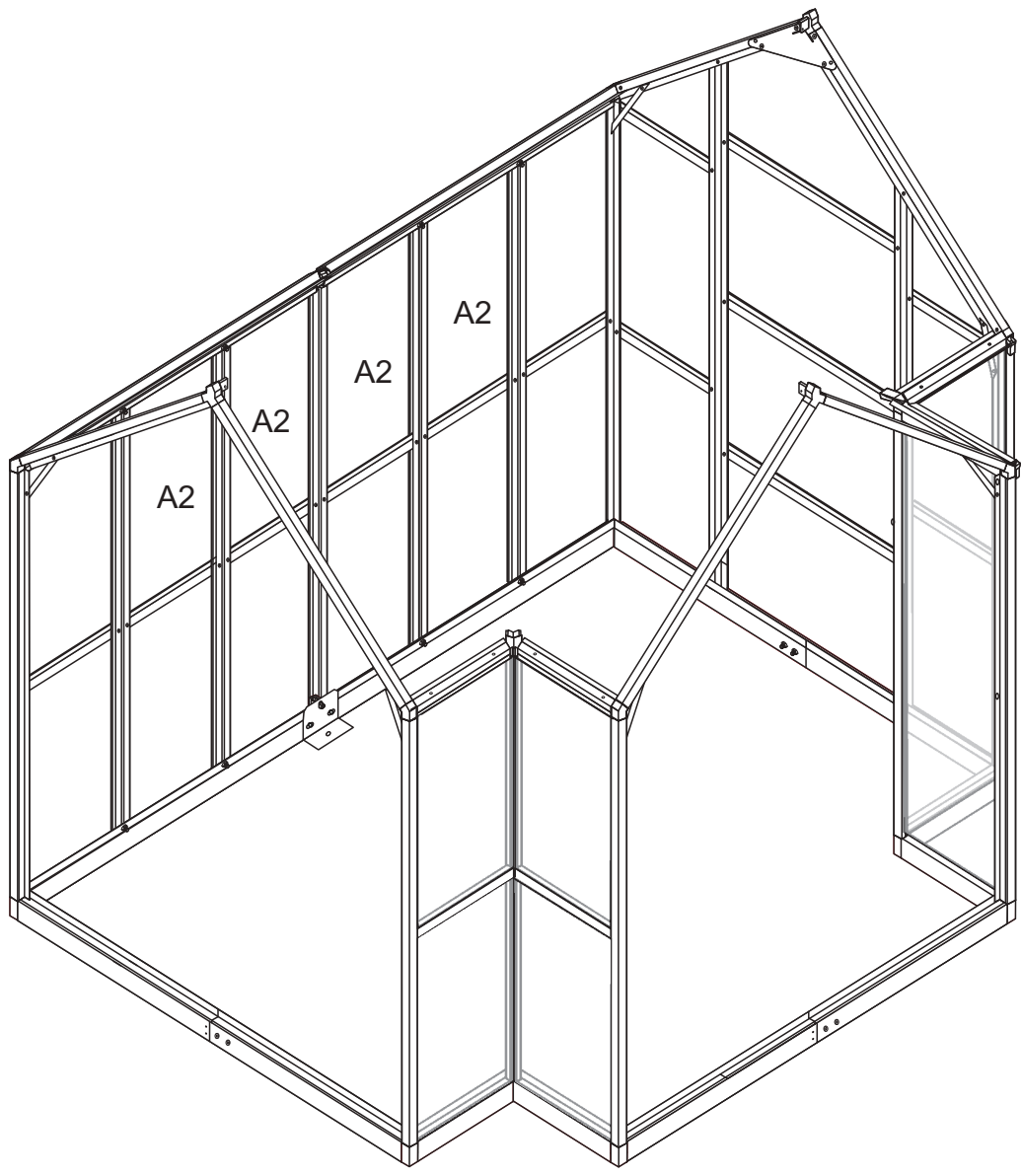
# STEP 21




Picture	NO.	Qty.
	A2	4
	14C	4
	42	8

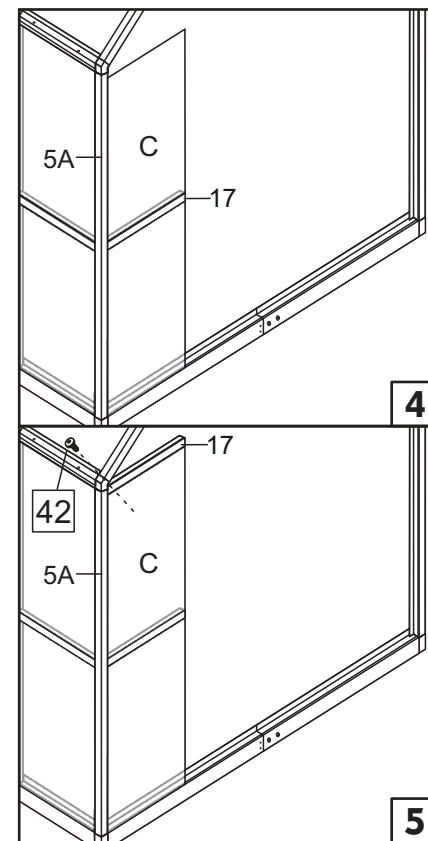
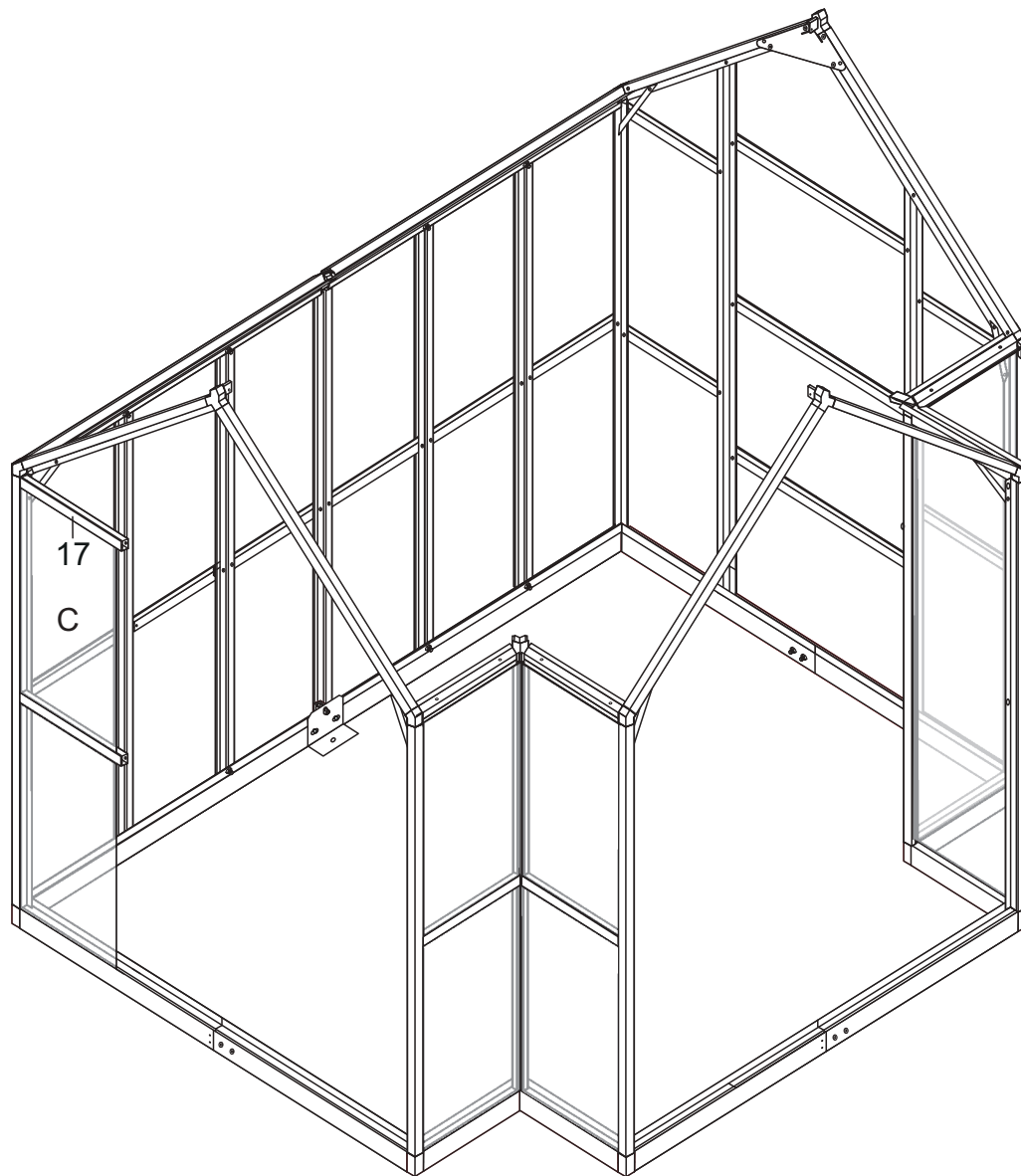
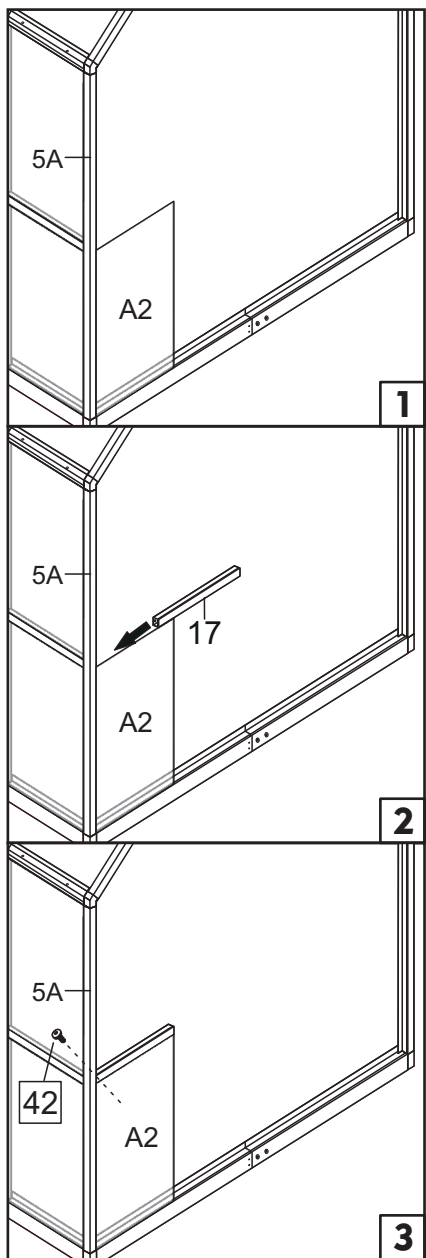


# STEP 22



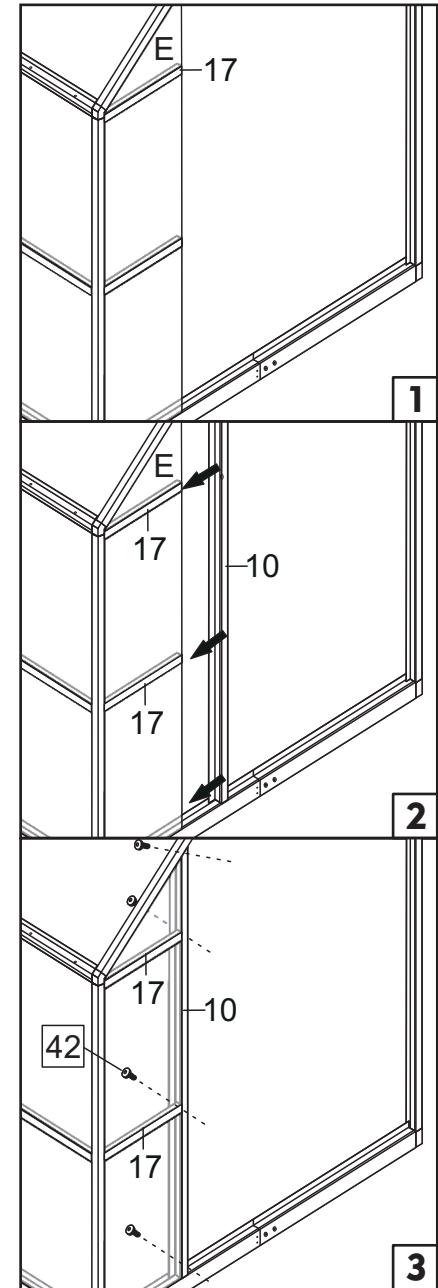
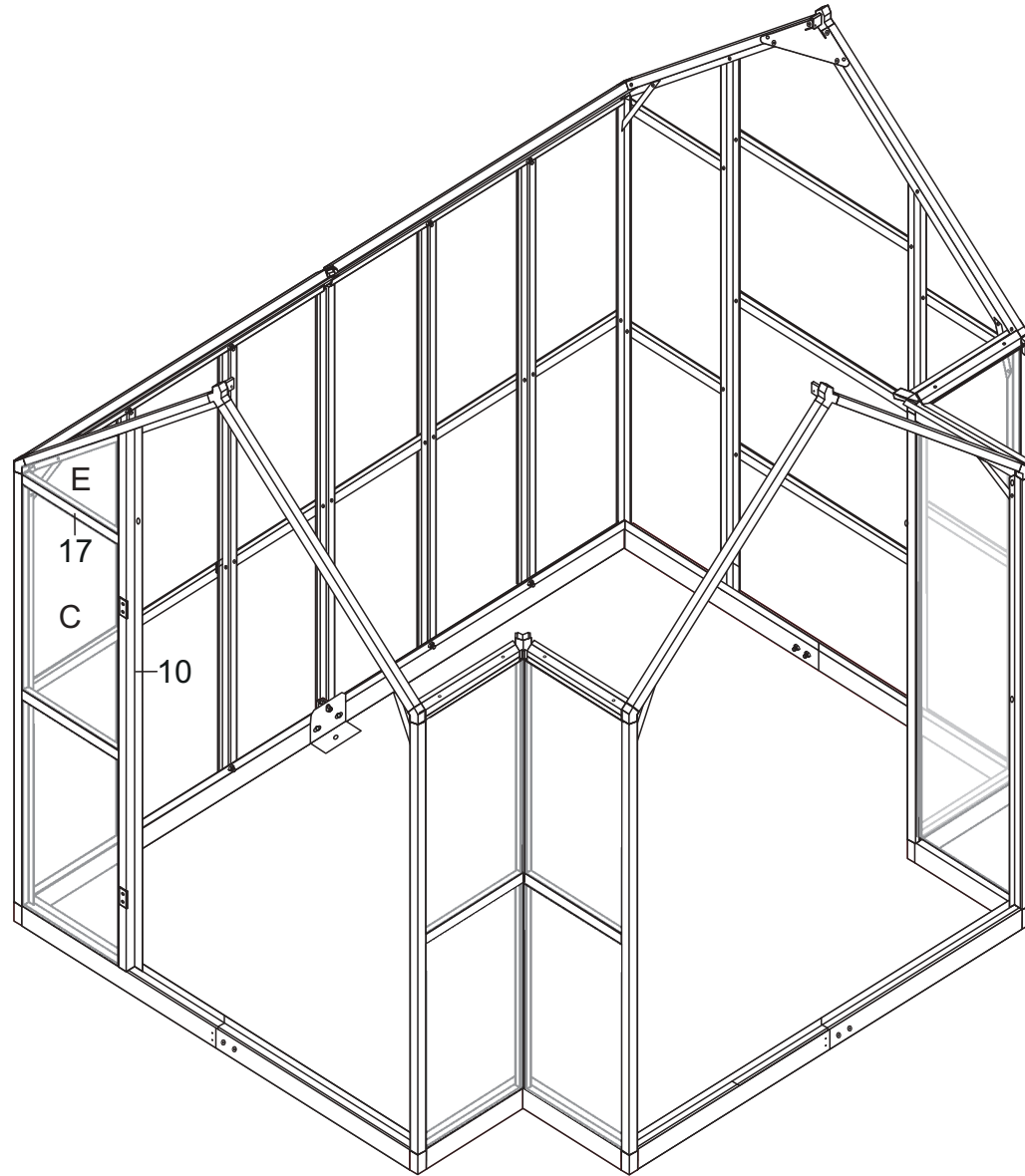
Picture	NO.	Qty.
	A2	4




# STEP 23



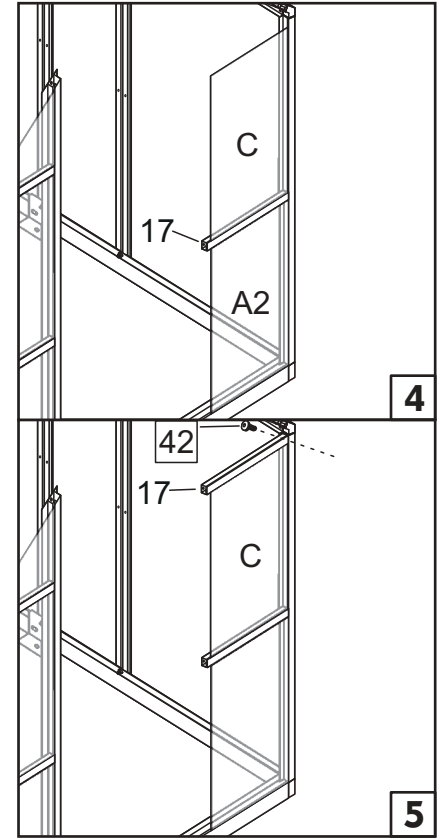
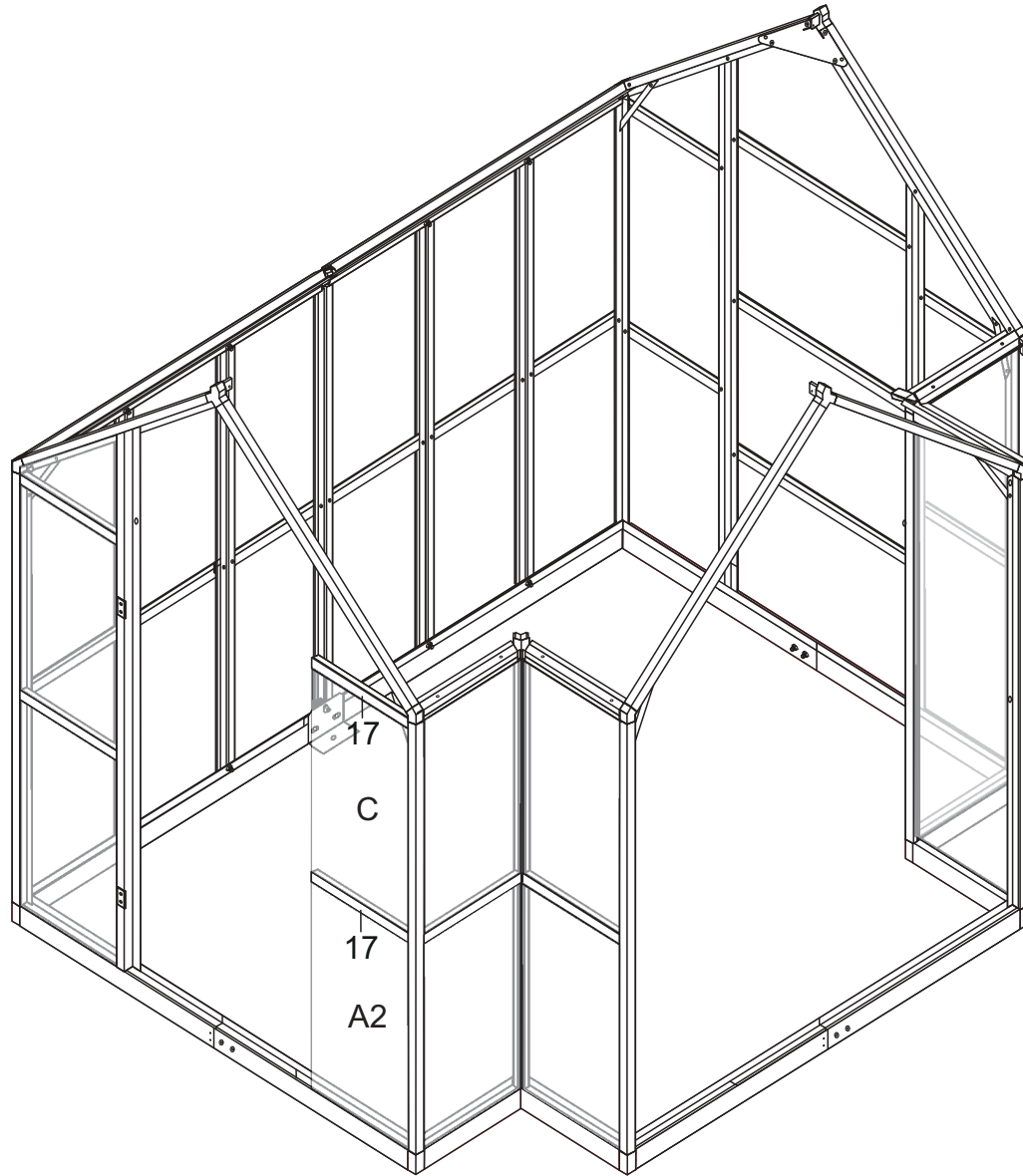
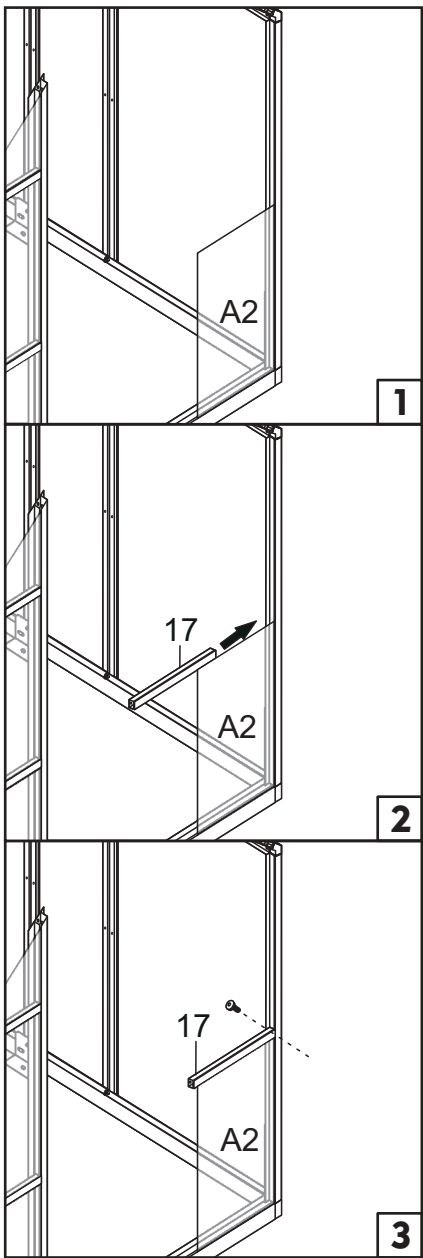
Picture	NO.	Qty.
	C	1
	A2	1
	17	2
	42	2

# STEP 24



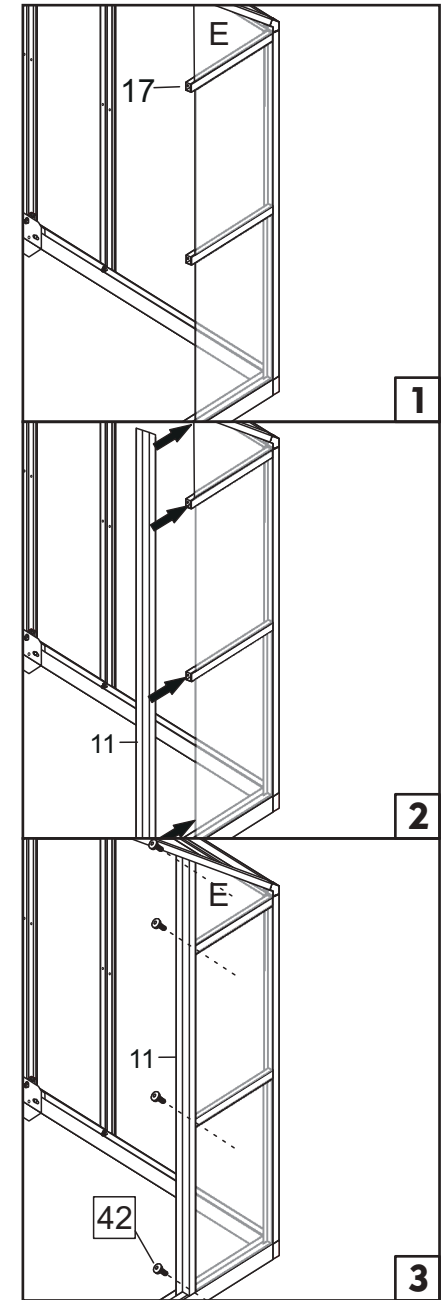
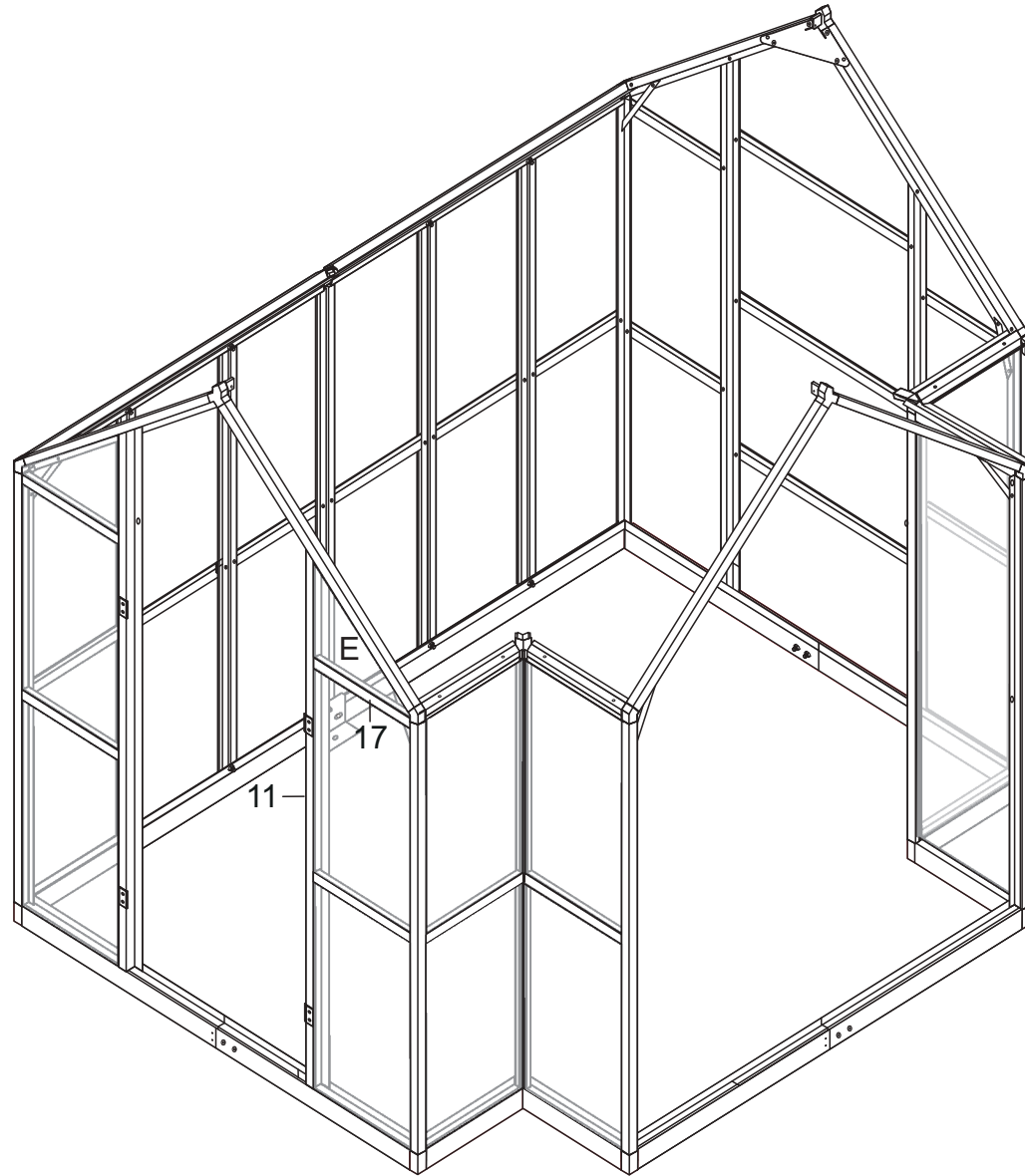
Picture	NO.	Qty.
	E	1
	10	1
	42	4




# STEP 25



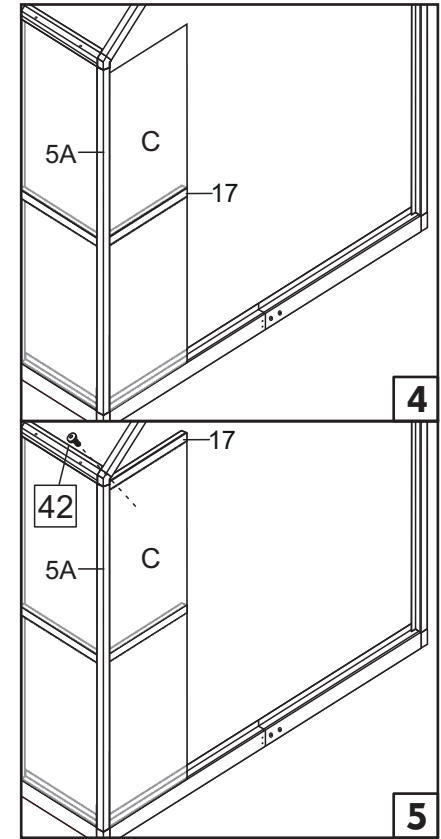
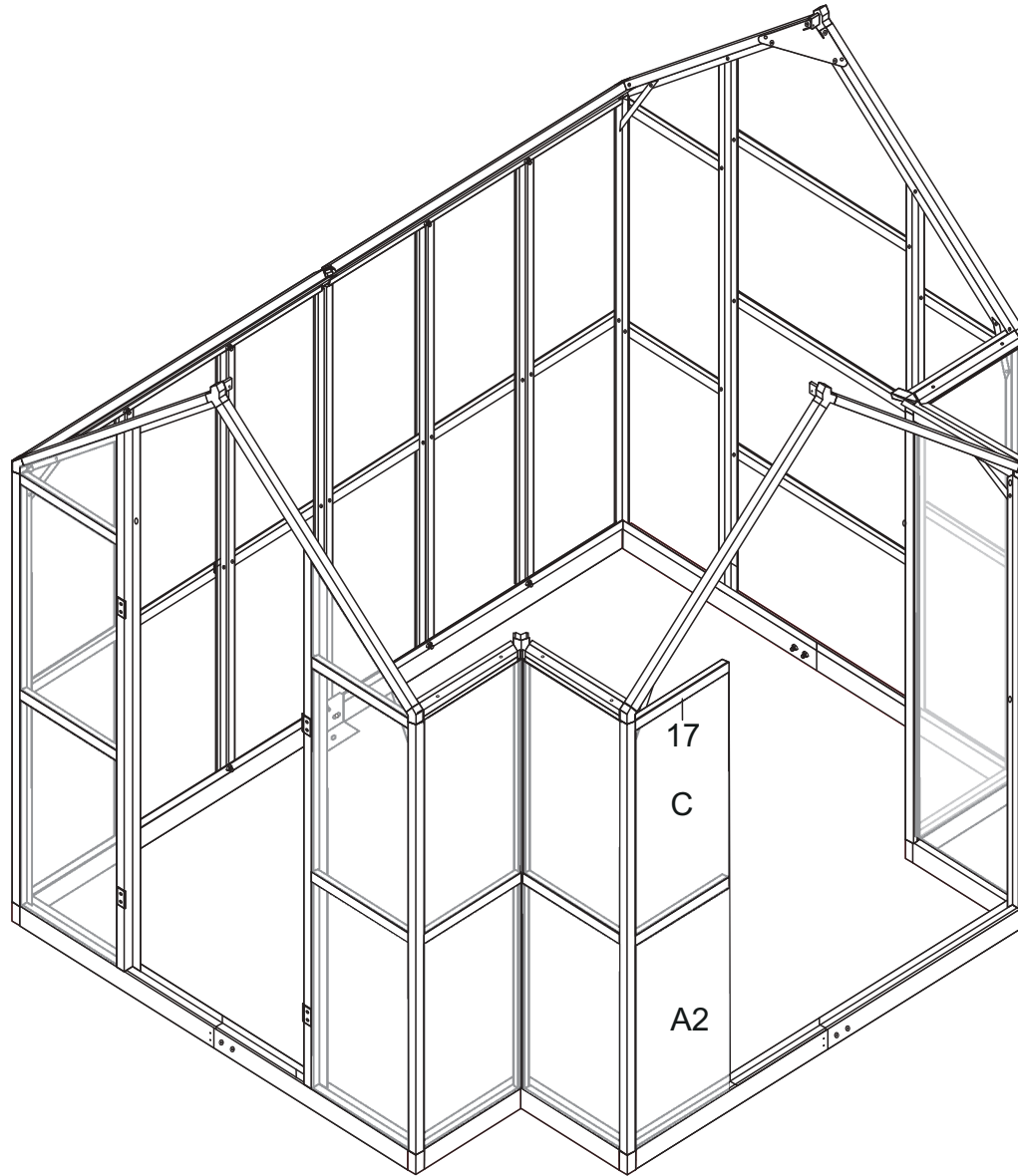
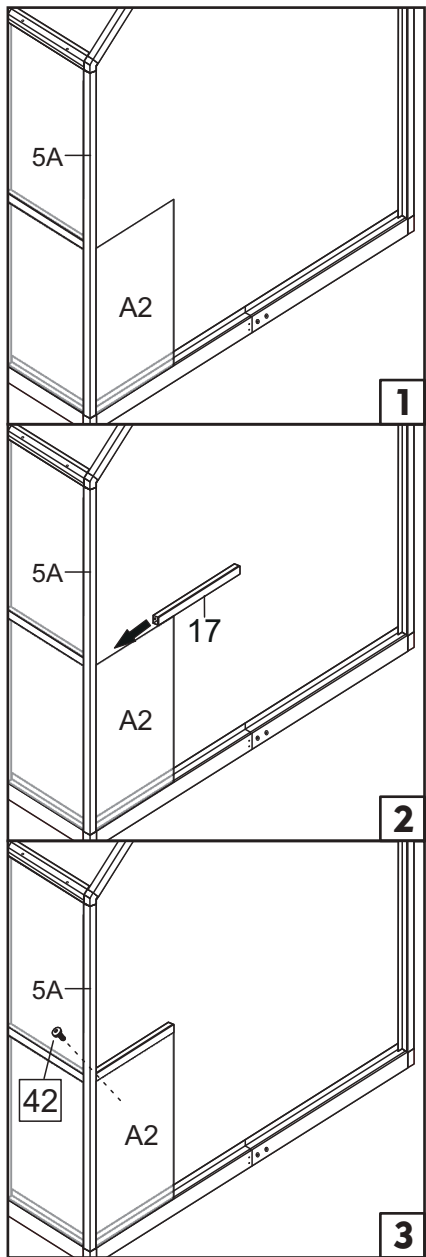
Picture	NO.	Qty.
	C	1
	A2	1
	17	2
	42	2





# STEP 26



Picture	NO.	Qty.
	E	1
	11	1
	42	4

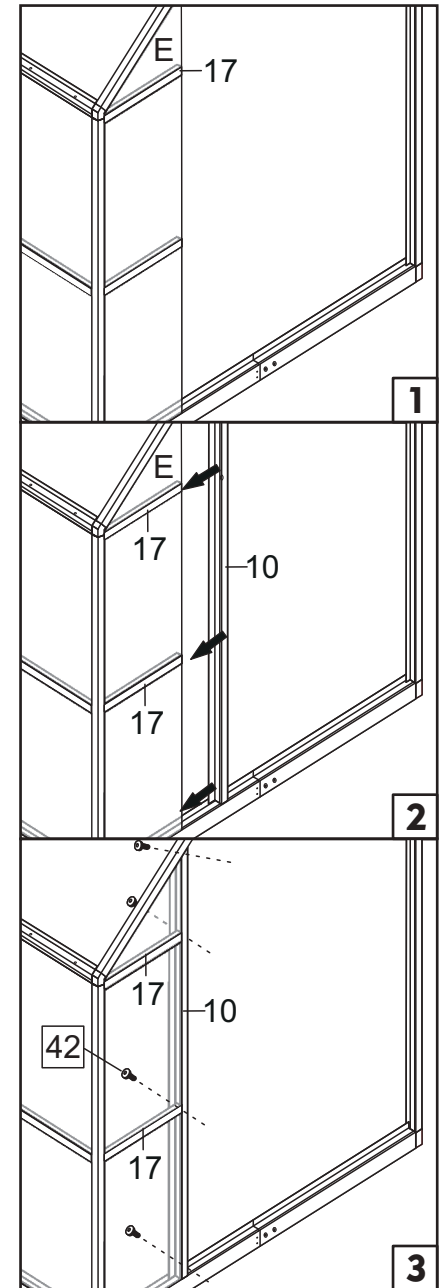
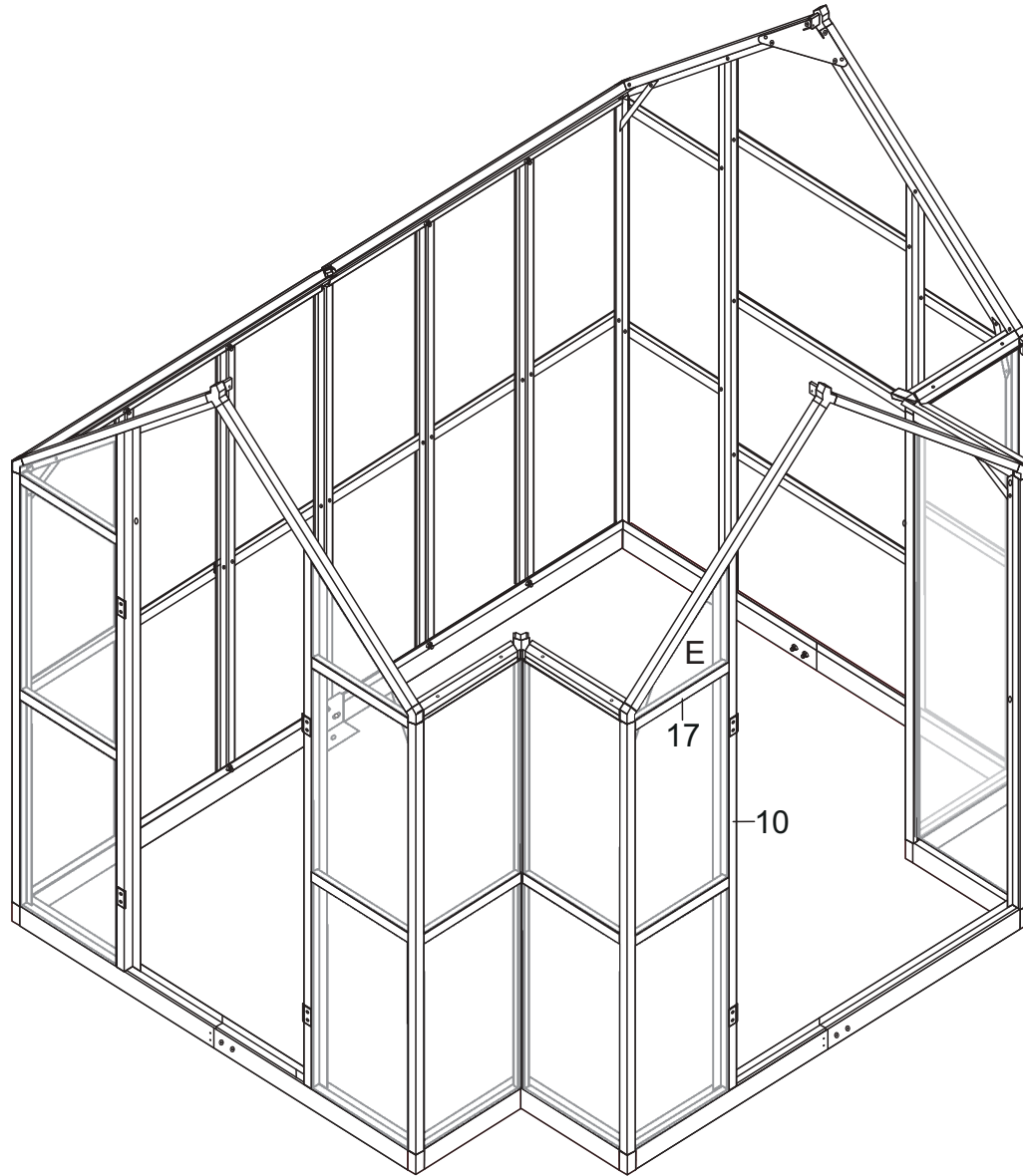
# STEP 27






Picture	NO.	Qty.
	C	1
	A2	1
	17	2
	42	2

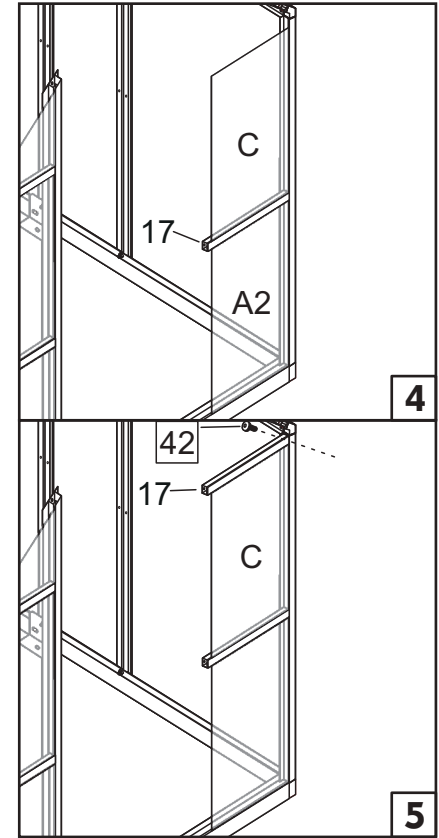
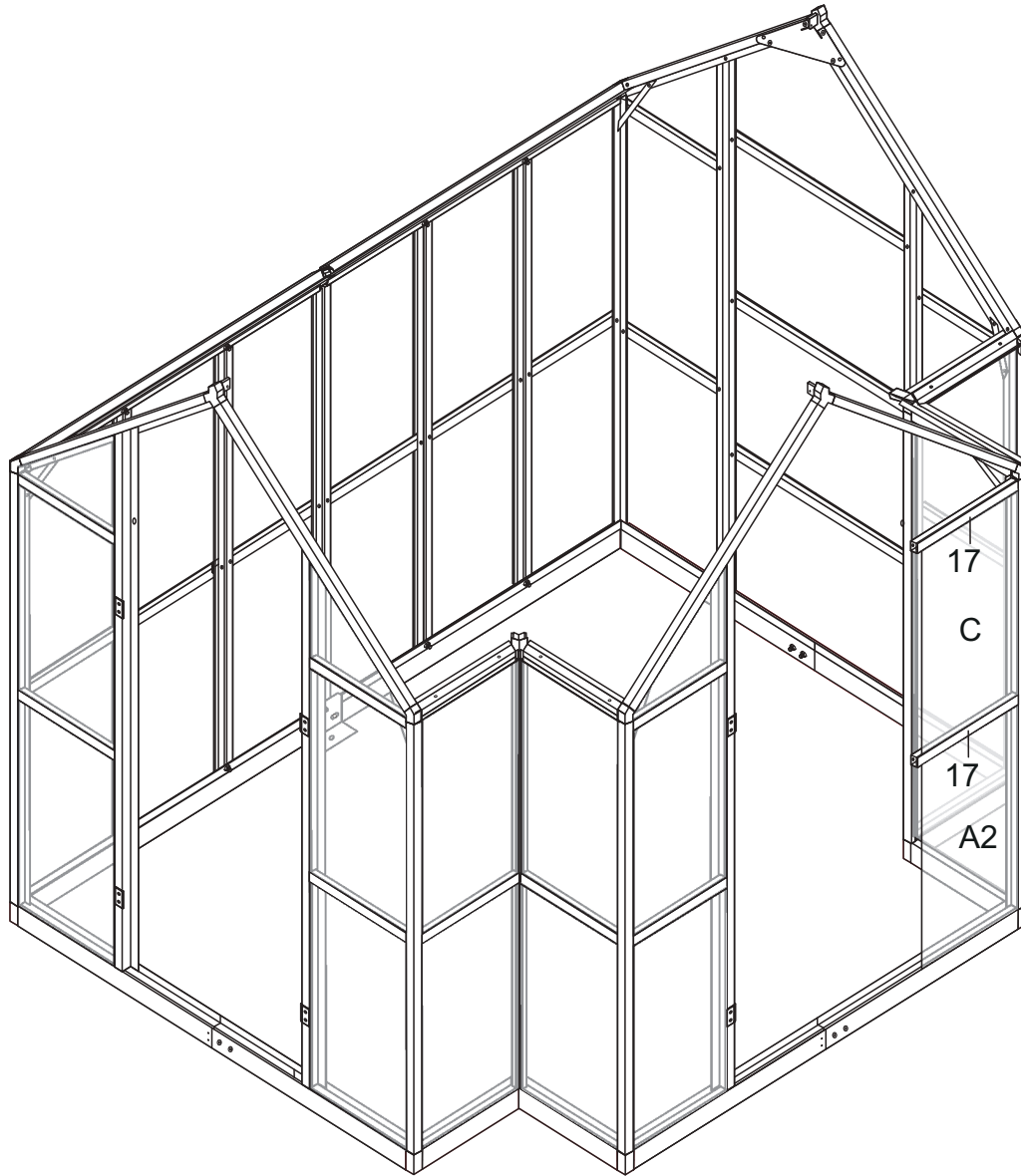
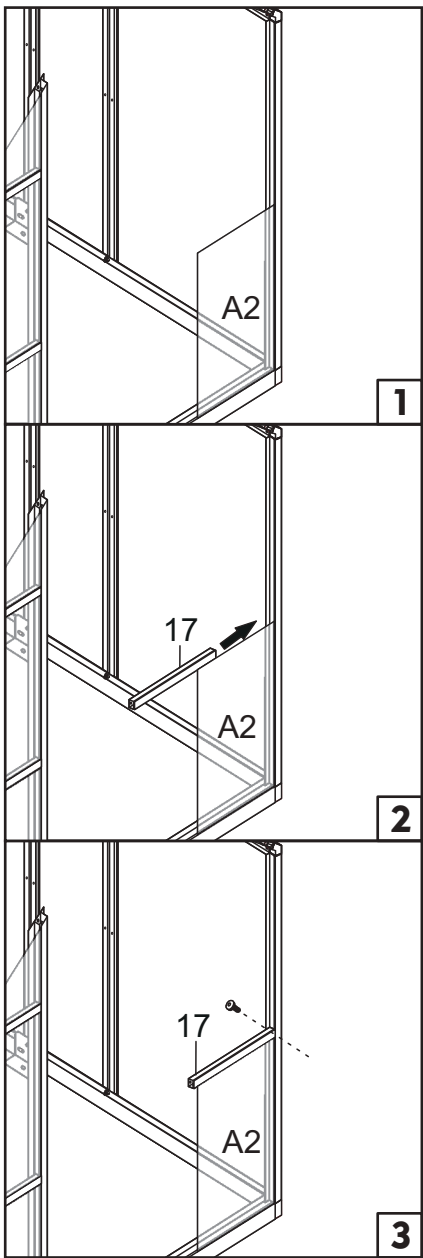


# STEP 28



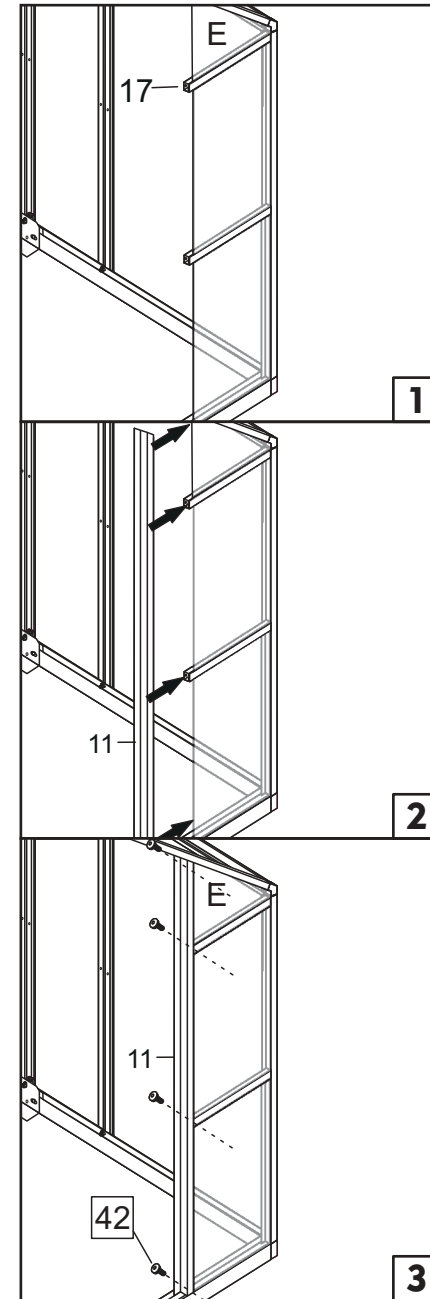
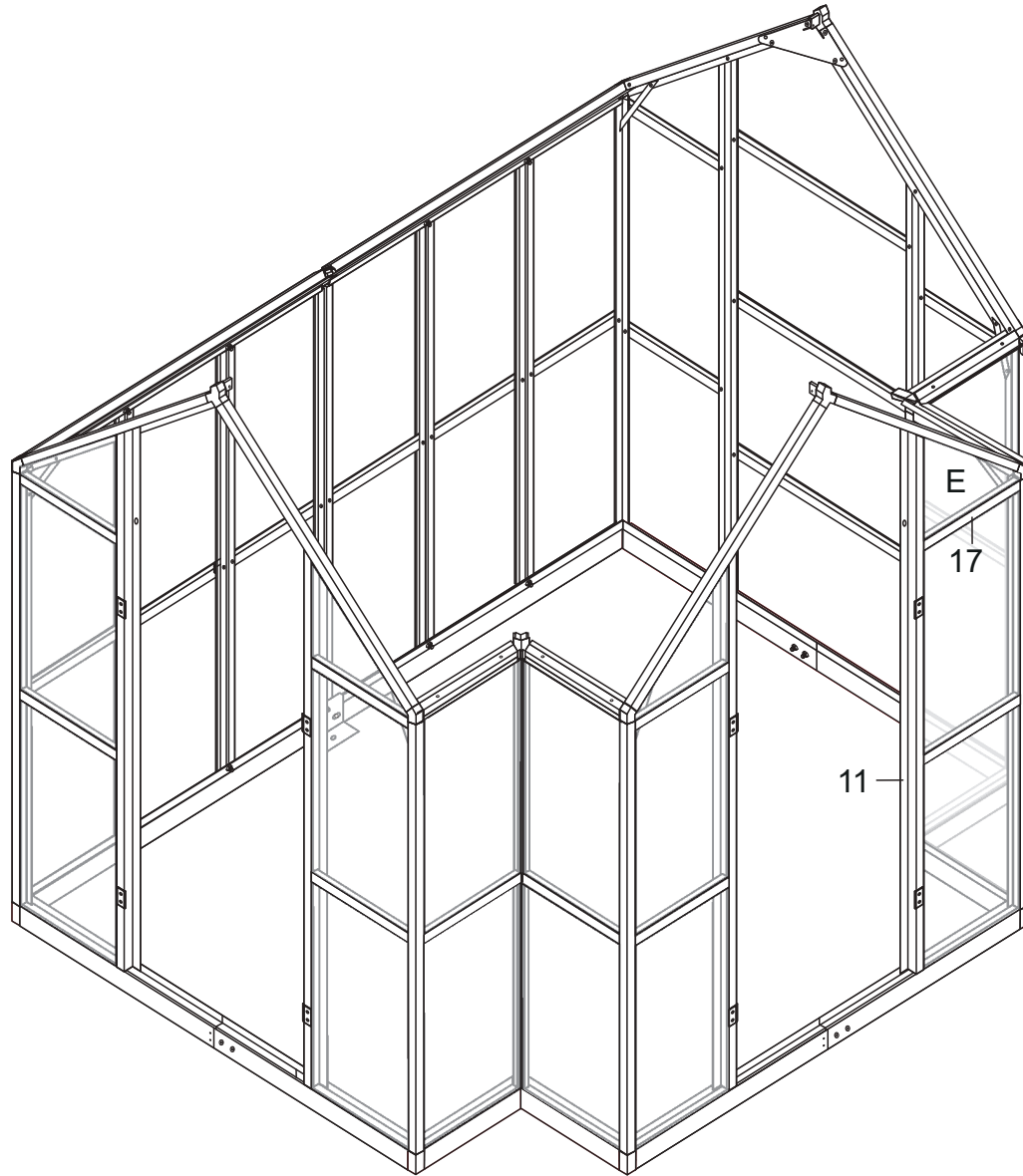
Picture	NO.	Qty.
	E	1
	10	1
	42	4




# STEP 29



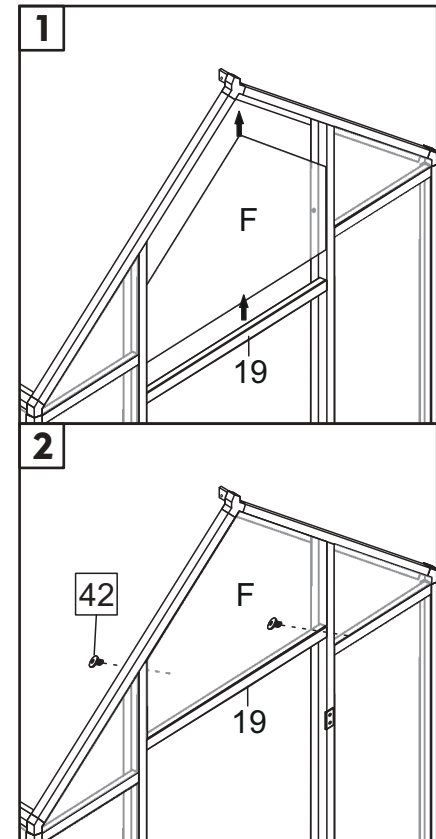
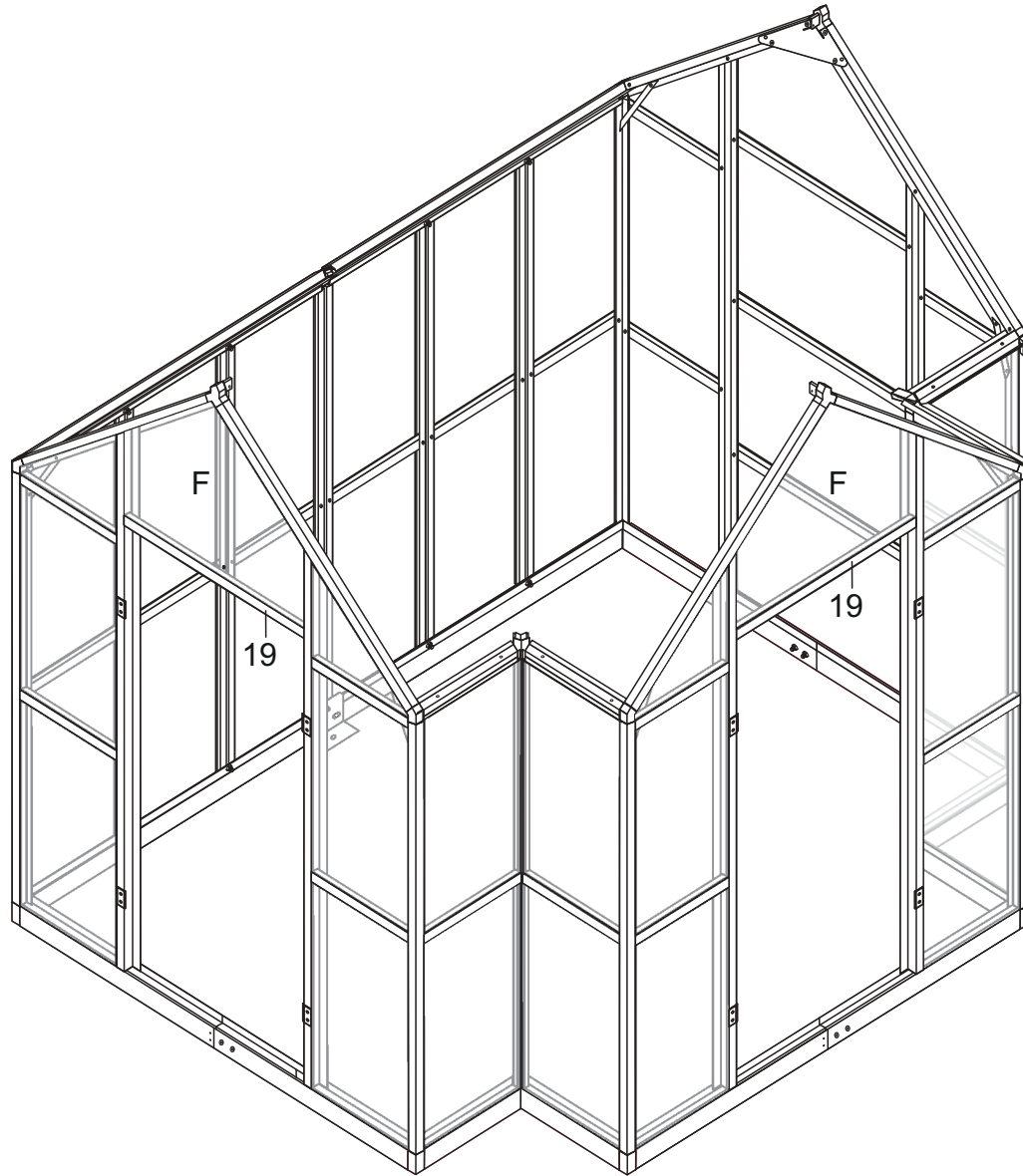
Picture	NO.	Qty.
	C	1
	A2	1
	17	2
	42	2




# STEP 30



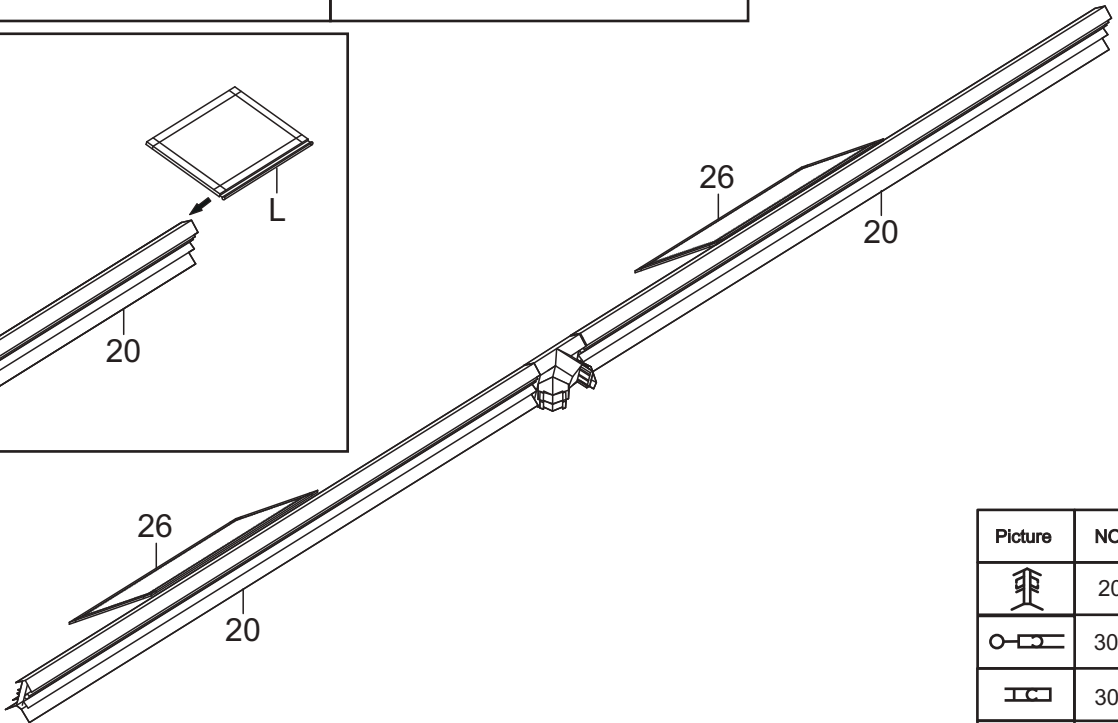
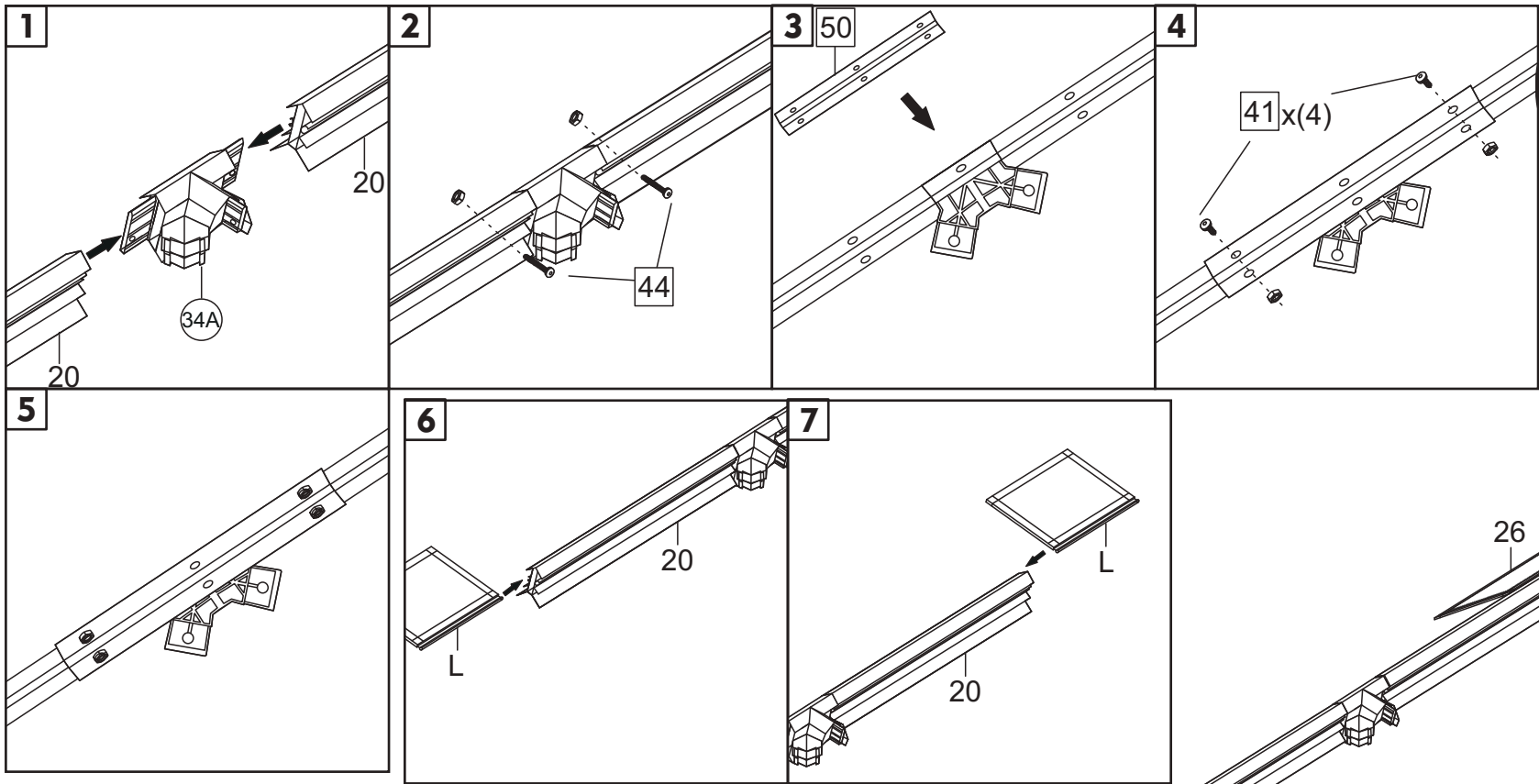
Picture	NO.	Qty.
	E	1
	11	1
	42	4

# STEP 31

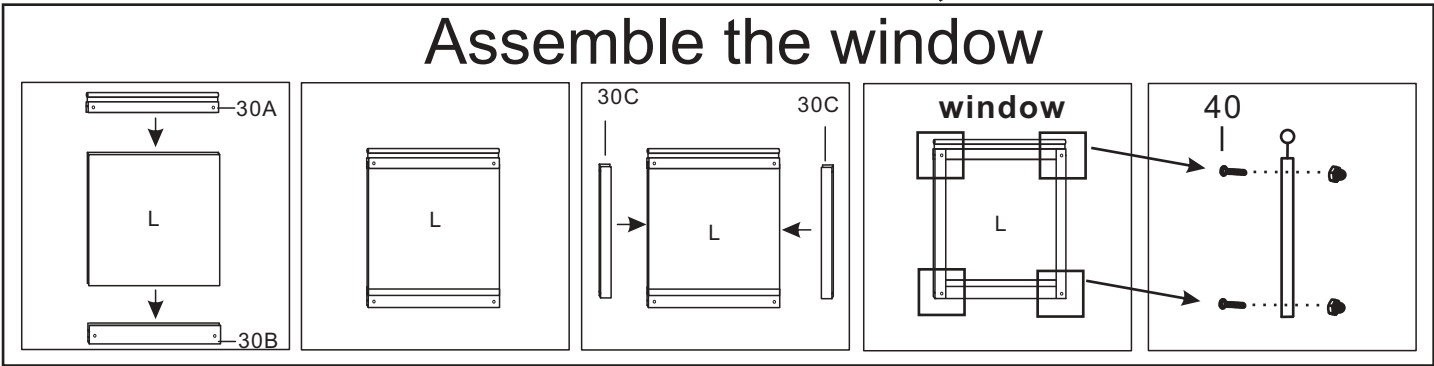


Picture	NO.	Qty.
	19	2
	F	2
	42	4

# STEP 32

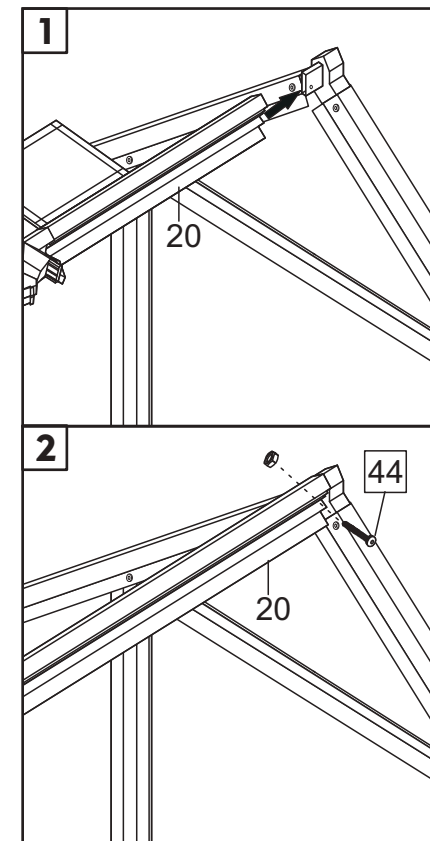
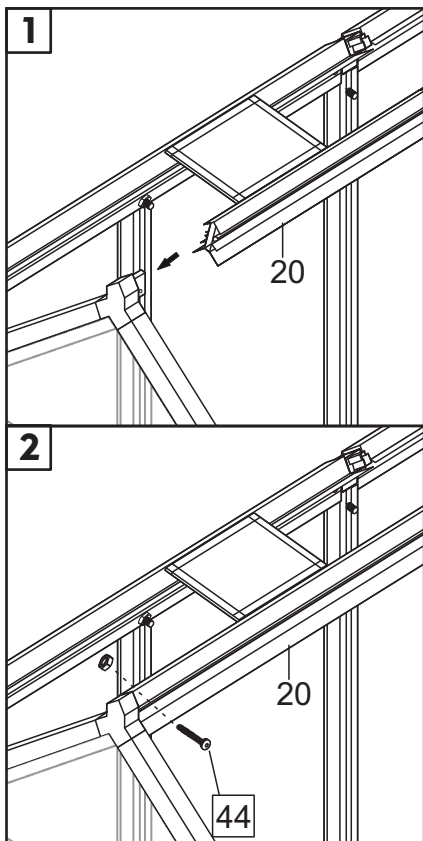
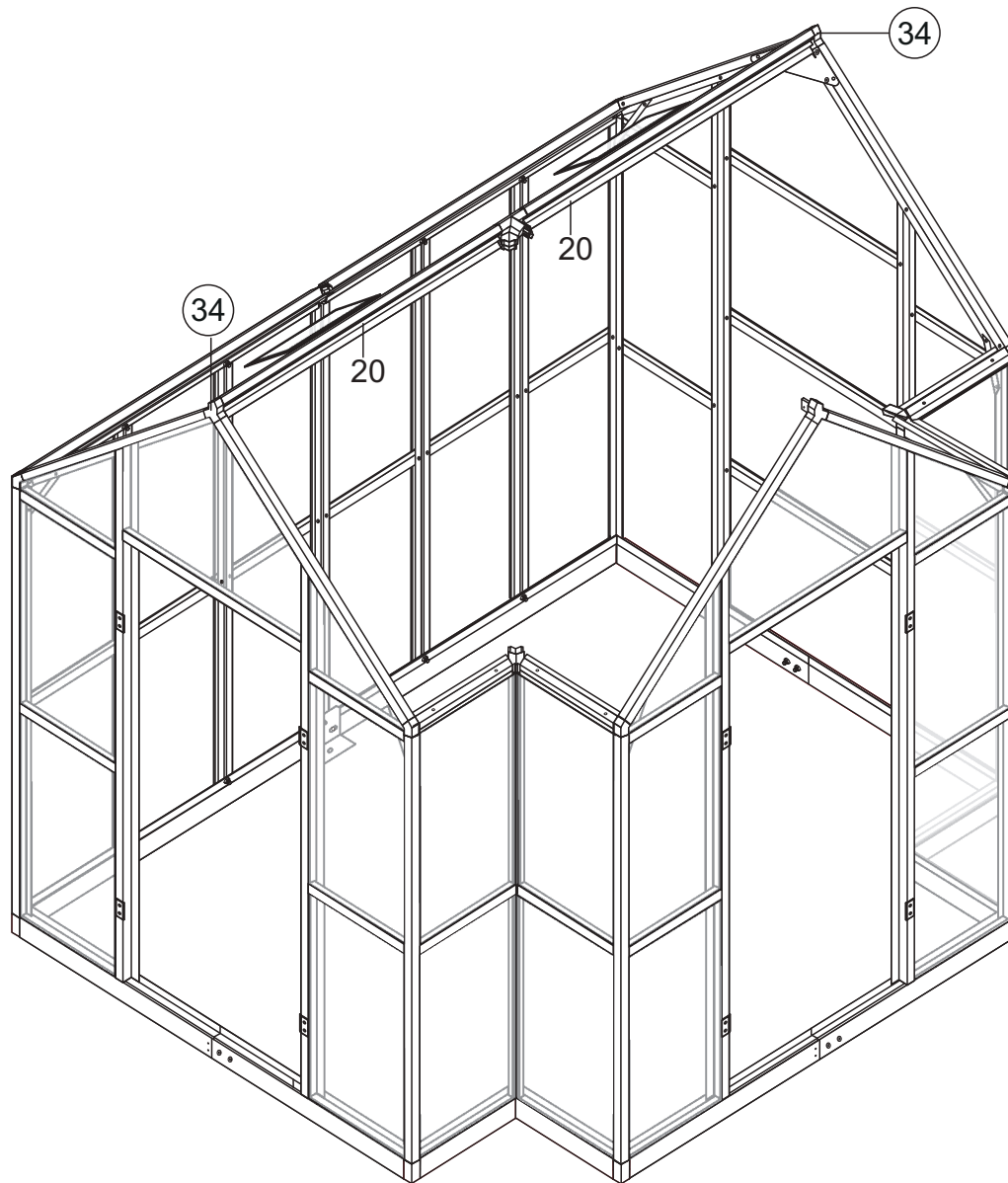



## Assemble the window



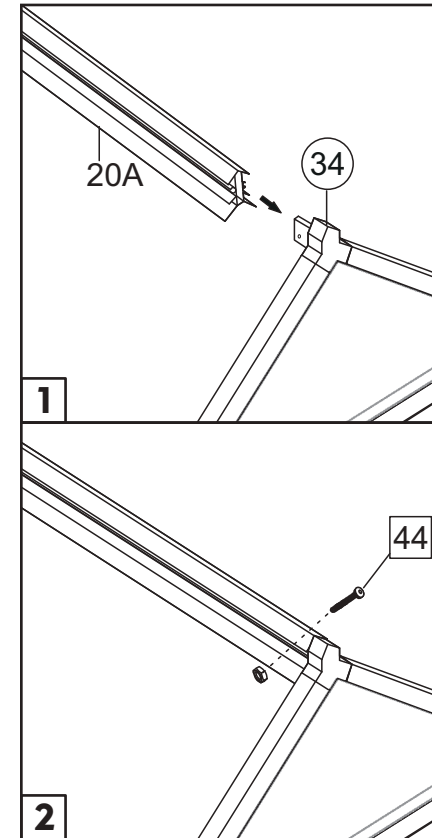
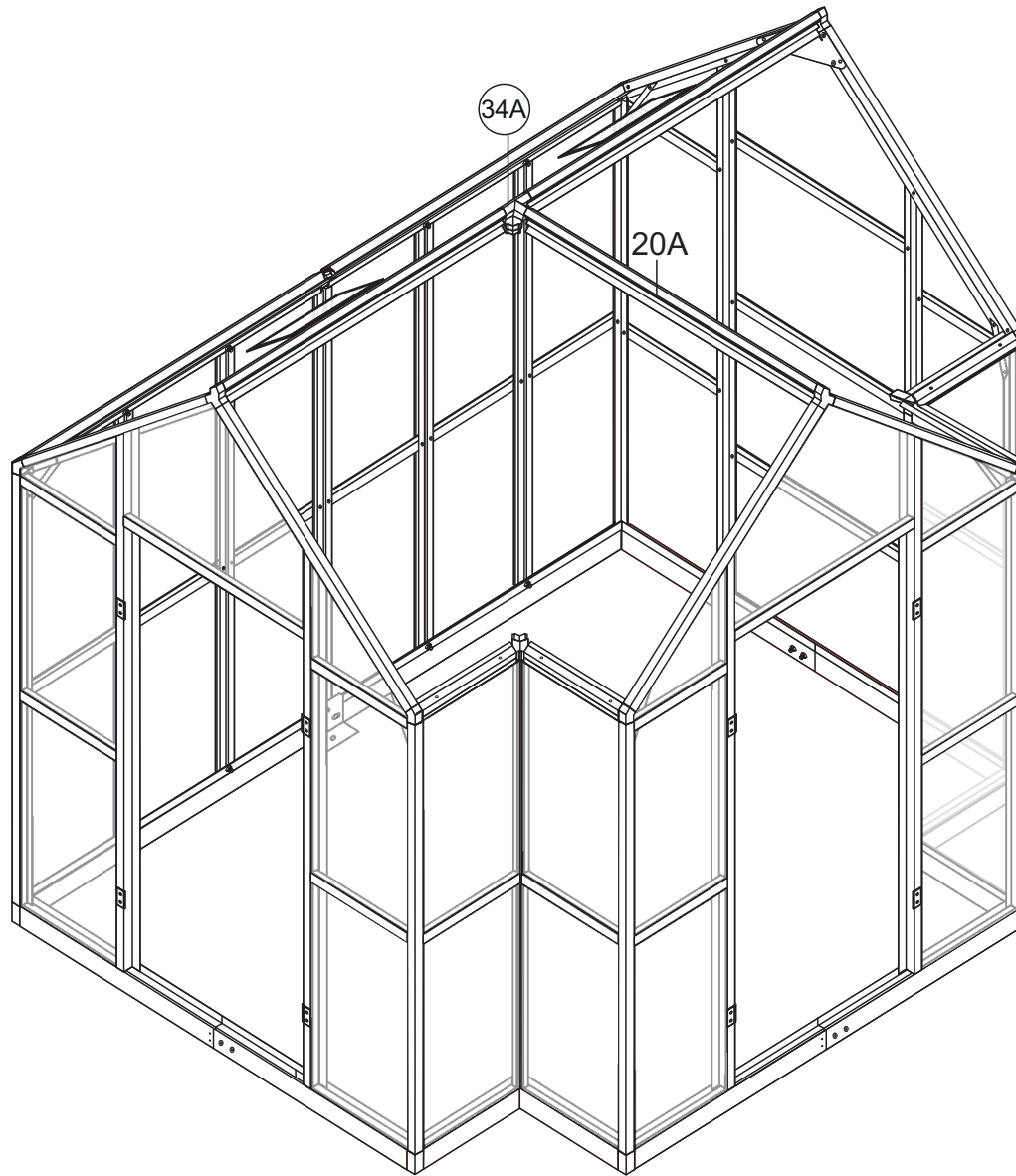
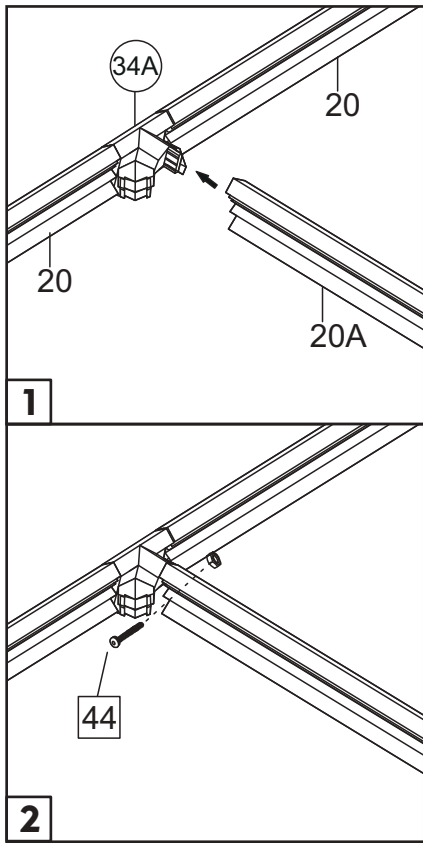
Picture	NO.	Qty.
	20	2
	30A	2
	30B	2
	30C	4
	L	2
	40	8
	34A	1
	41	4
	44	2
	50	1



# STEP 33



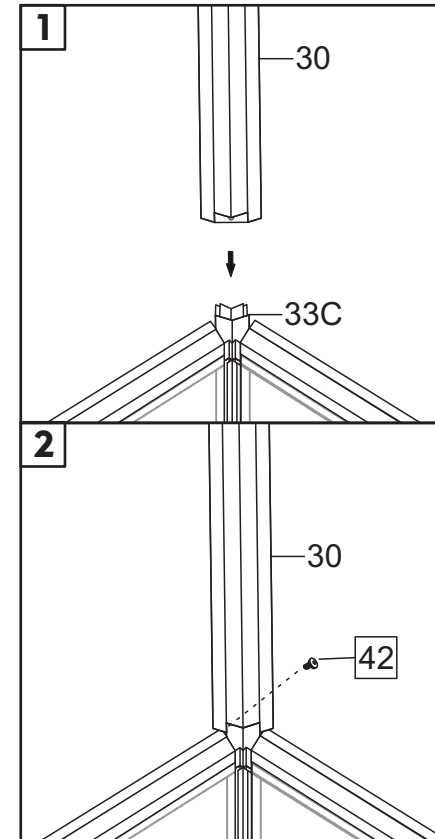
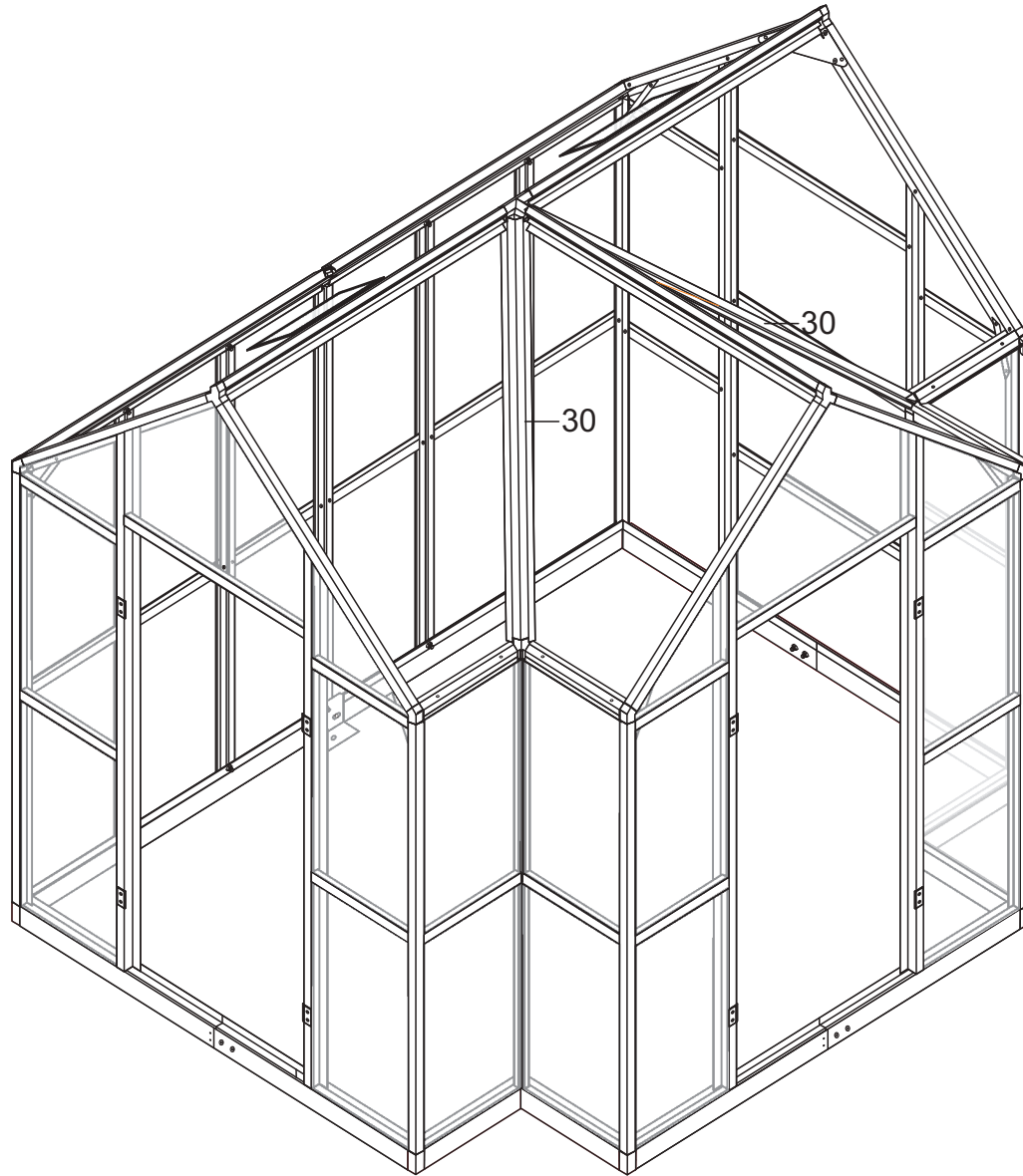
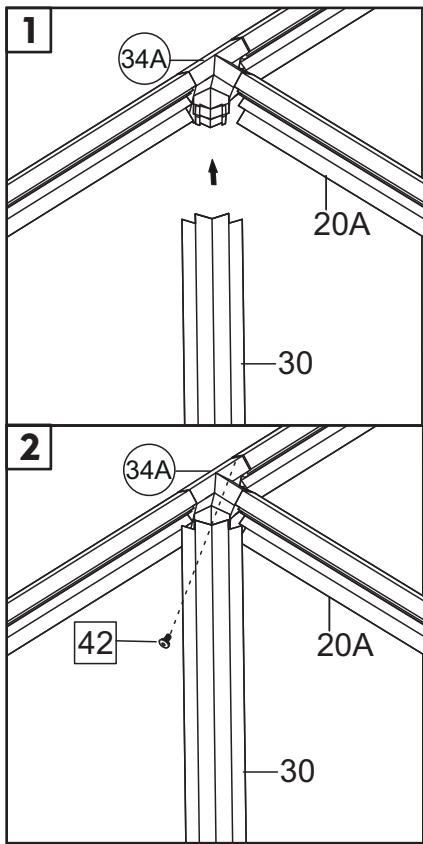
Picture	NO.	Qty.
	44	2

# STEP 34



Picture	NO.	Qty.
	20A	1
	44	2

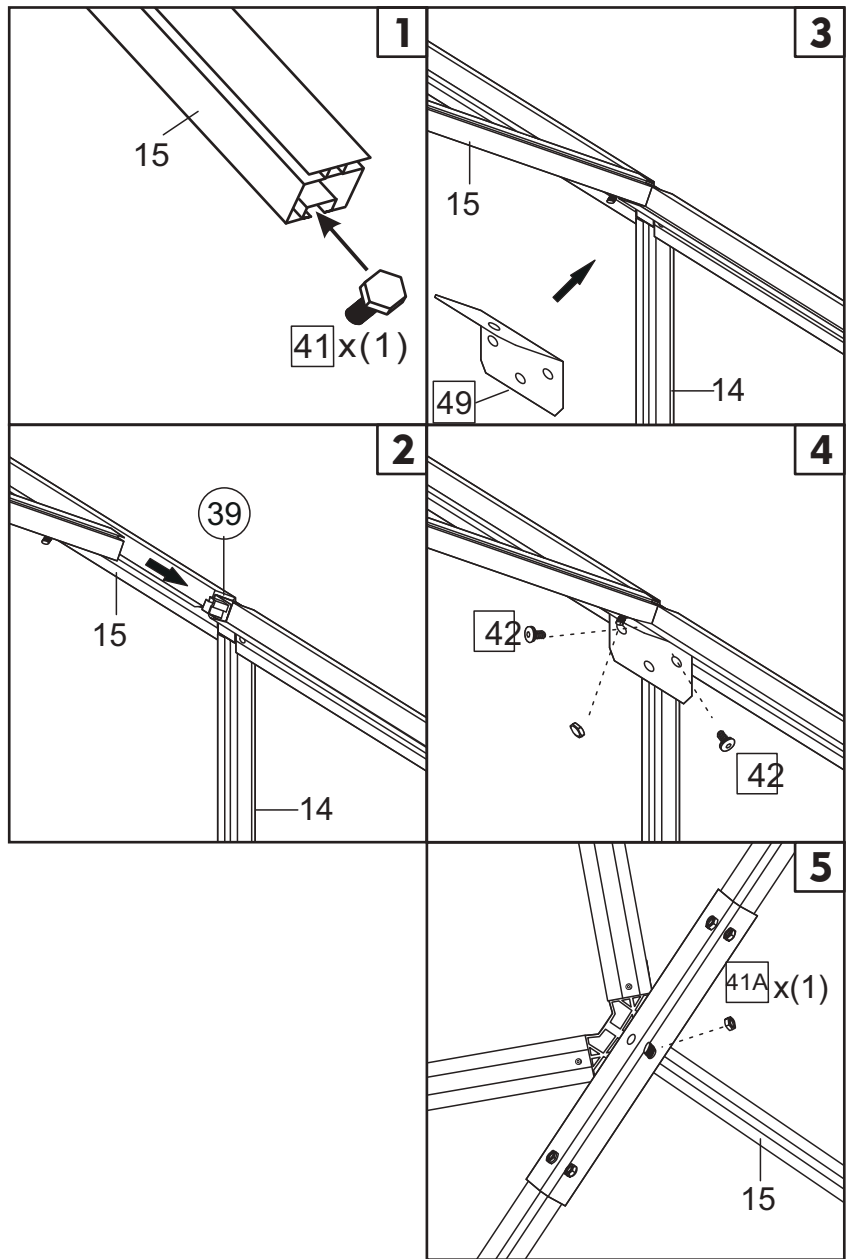
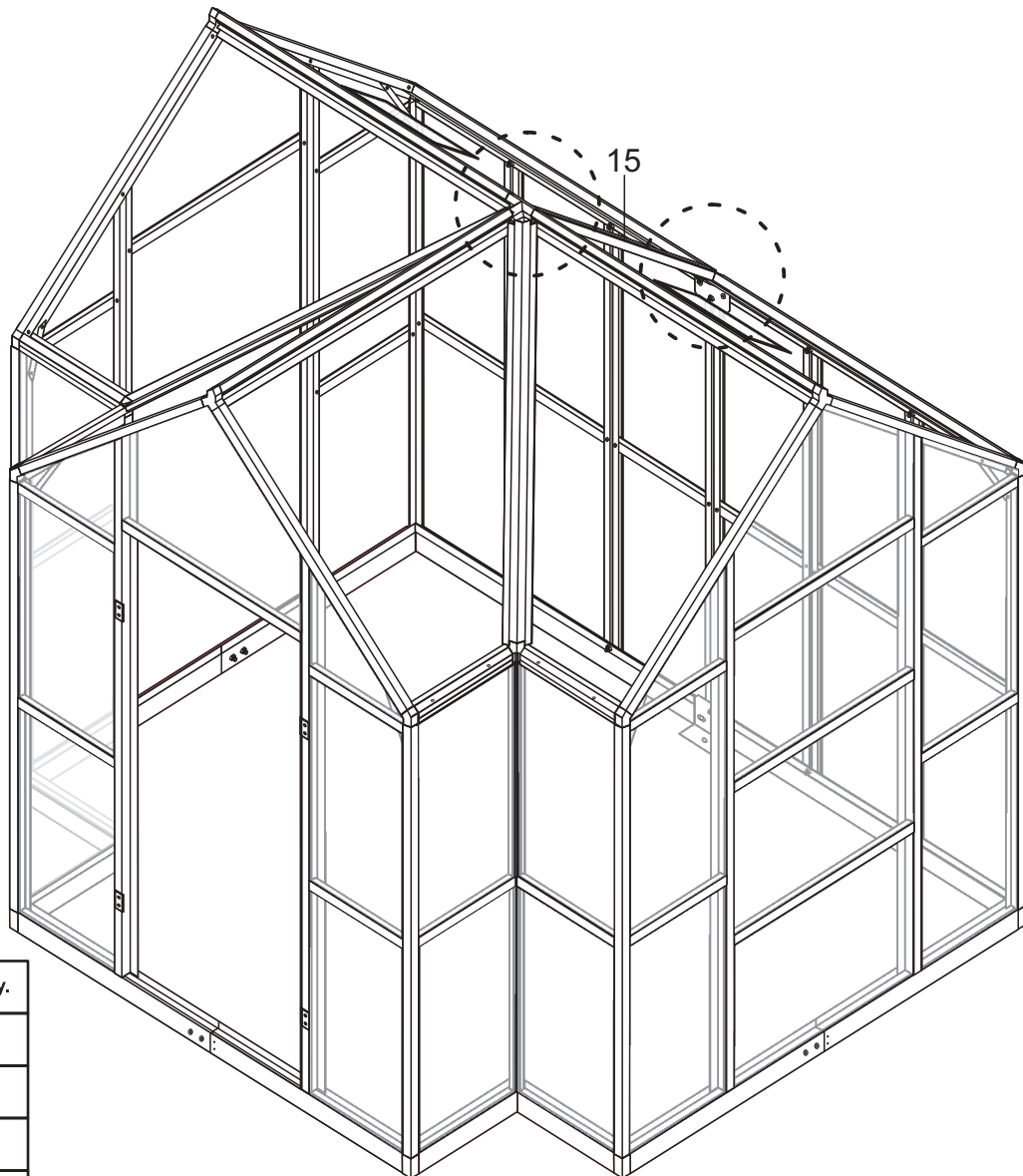
# STEP 35



Picture	NO.	Qty.
	30	2
	42	4

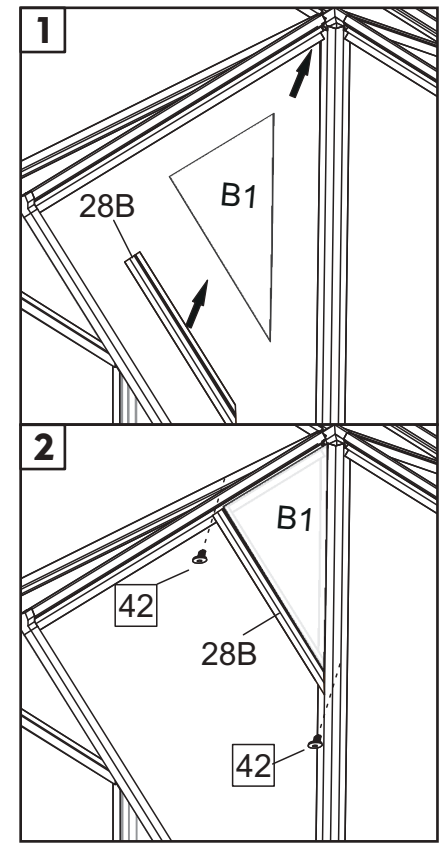
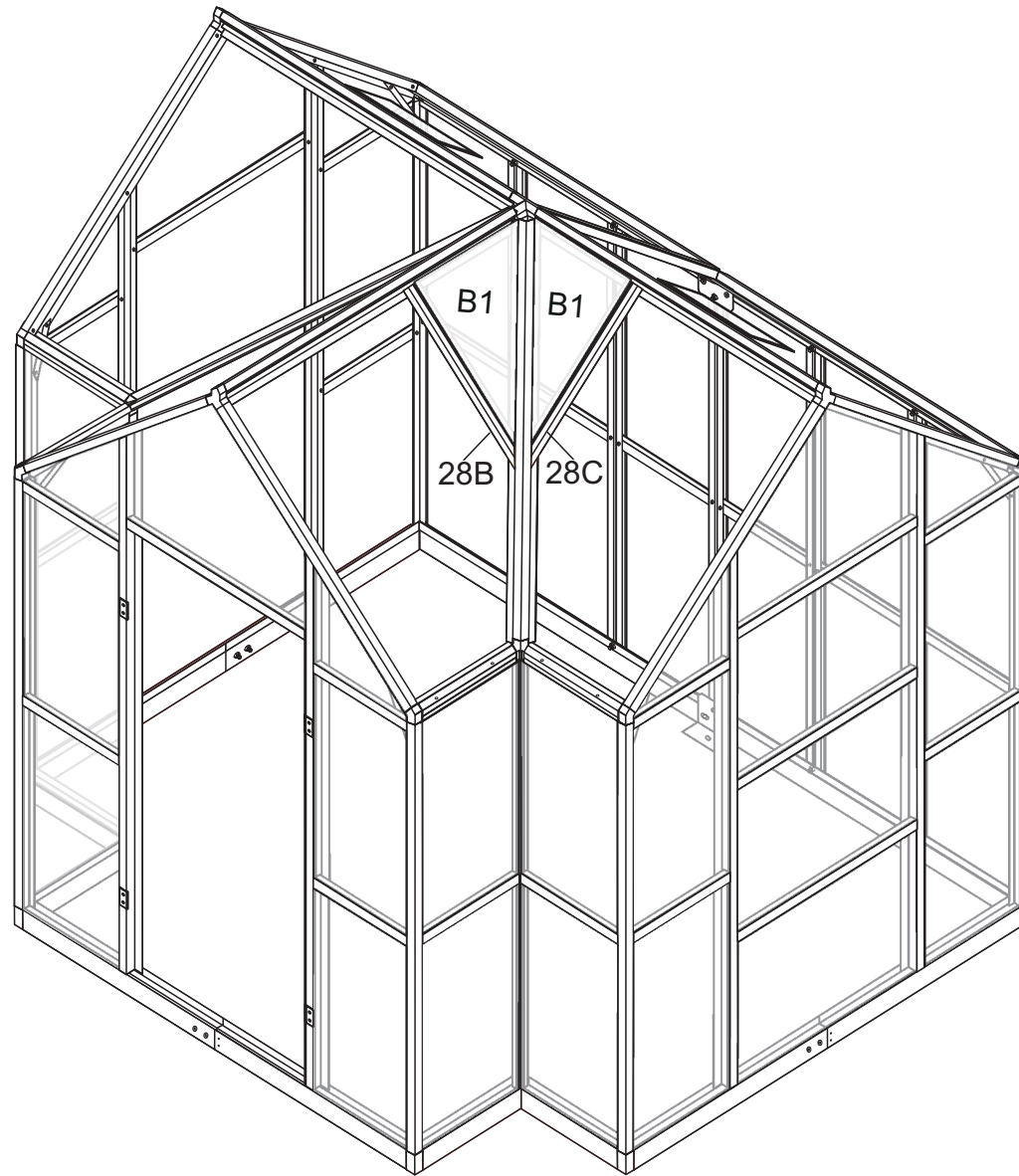






# STEP 36



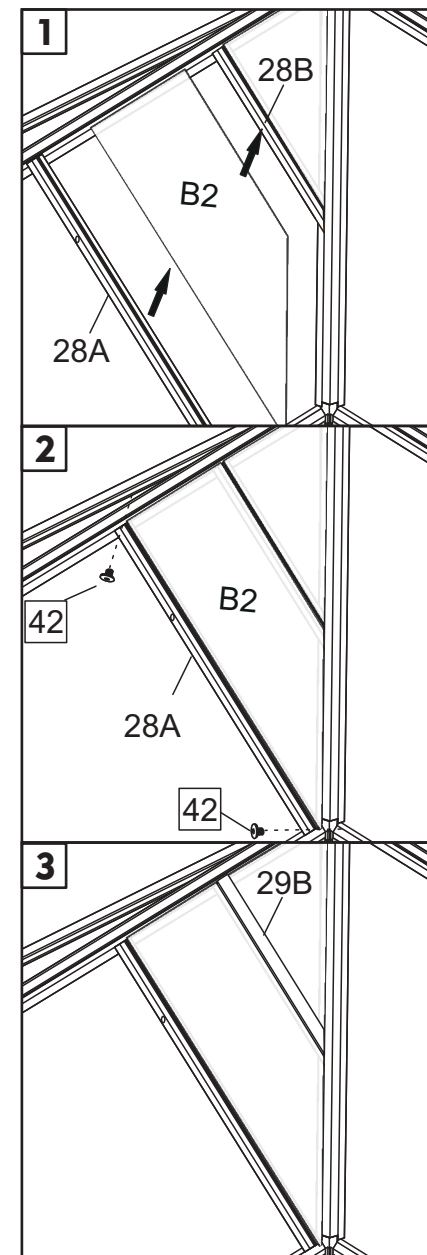
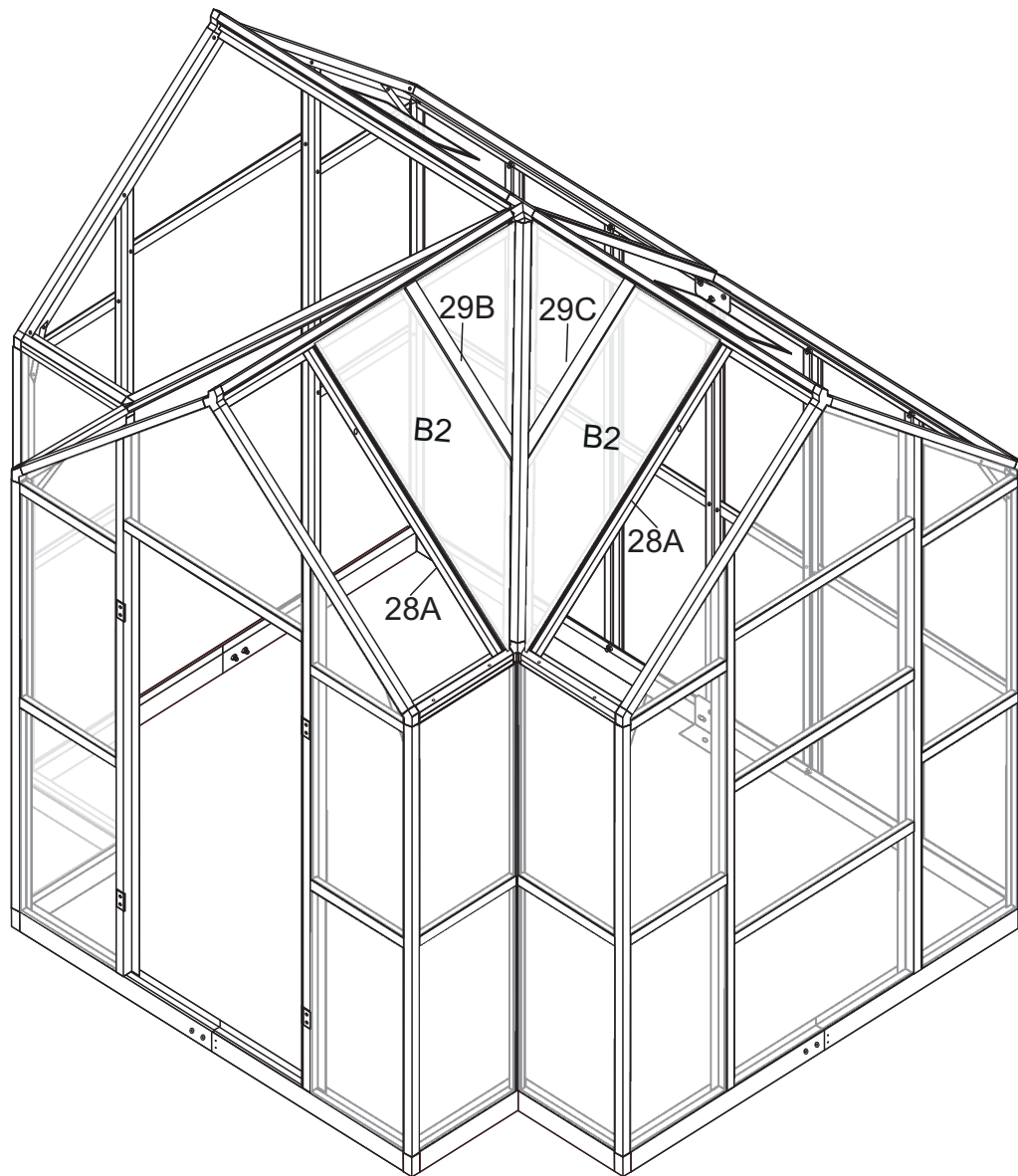
Picture	NO.	Qty.
	15	1
	41	1
	41A	1
	42	2
	49	1





# STEP 37



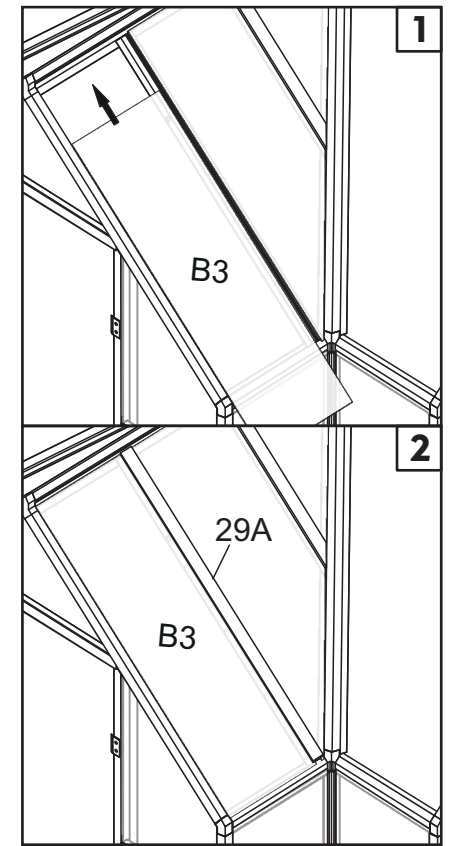
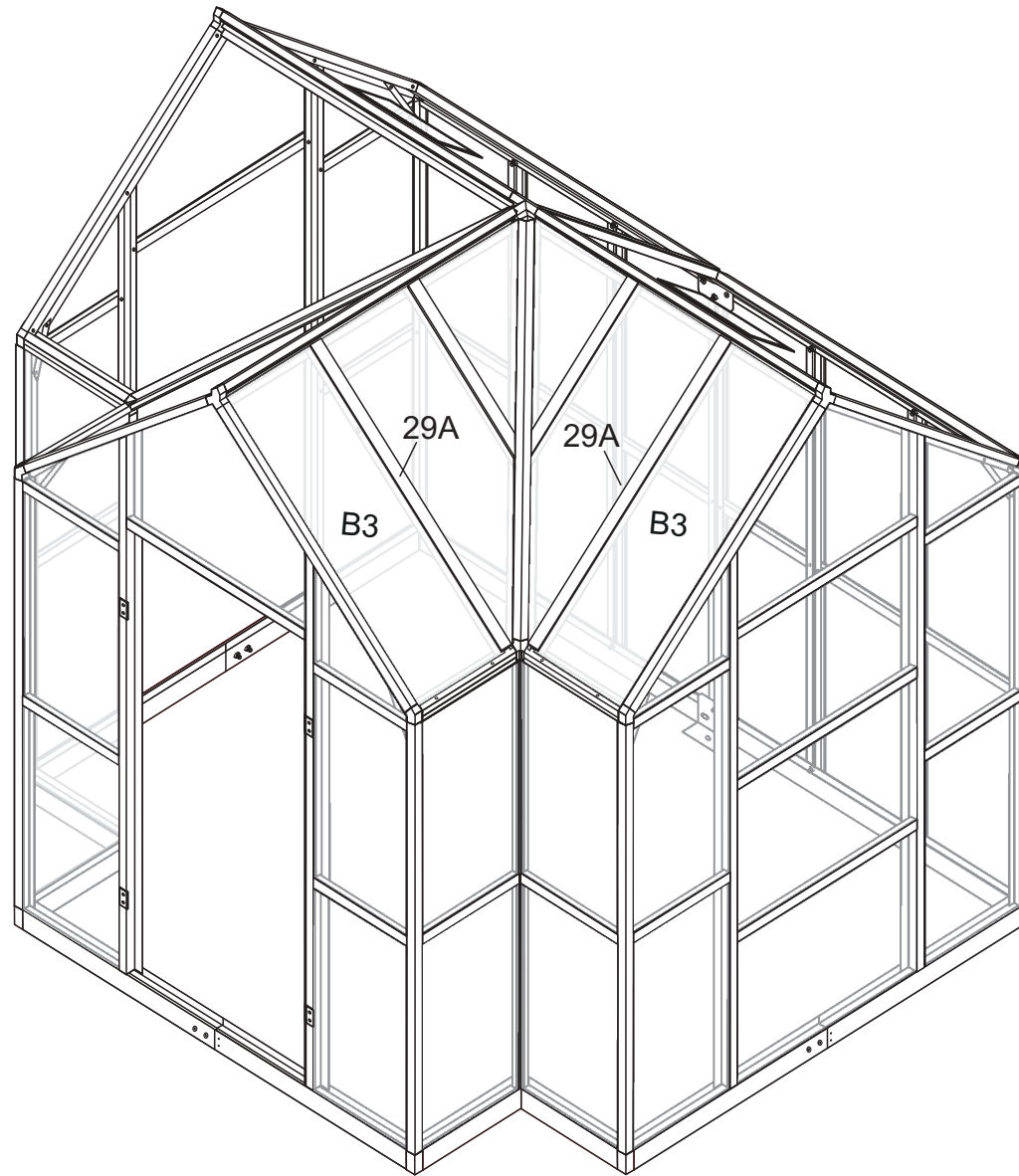
Picture	NO.	Qty.
	B1	2
	28B	1
	28C	1
	42	4

# STEP 38



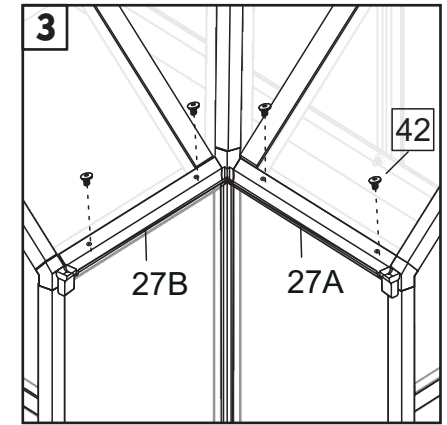
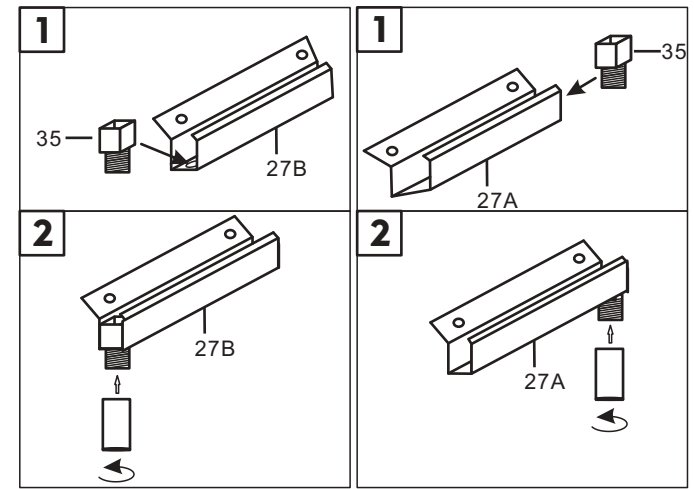
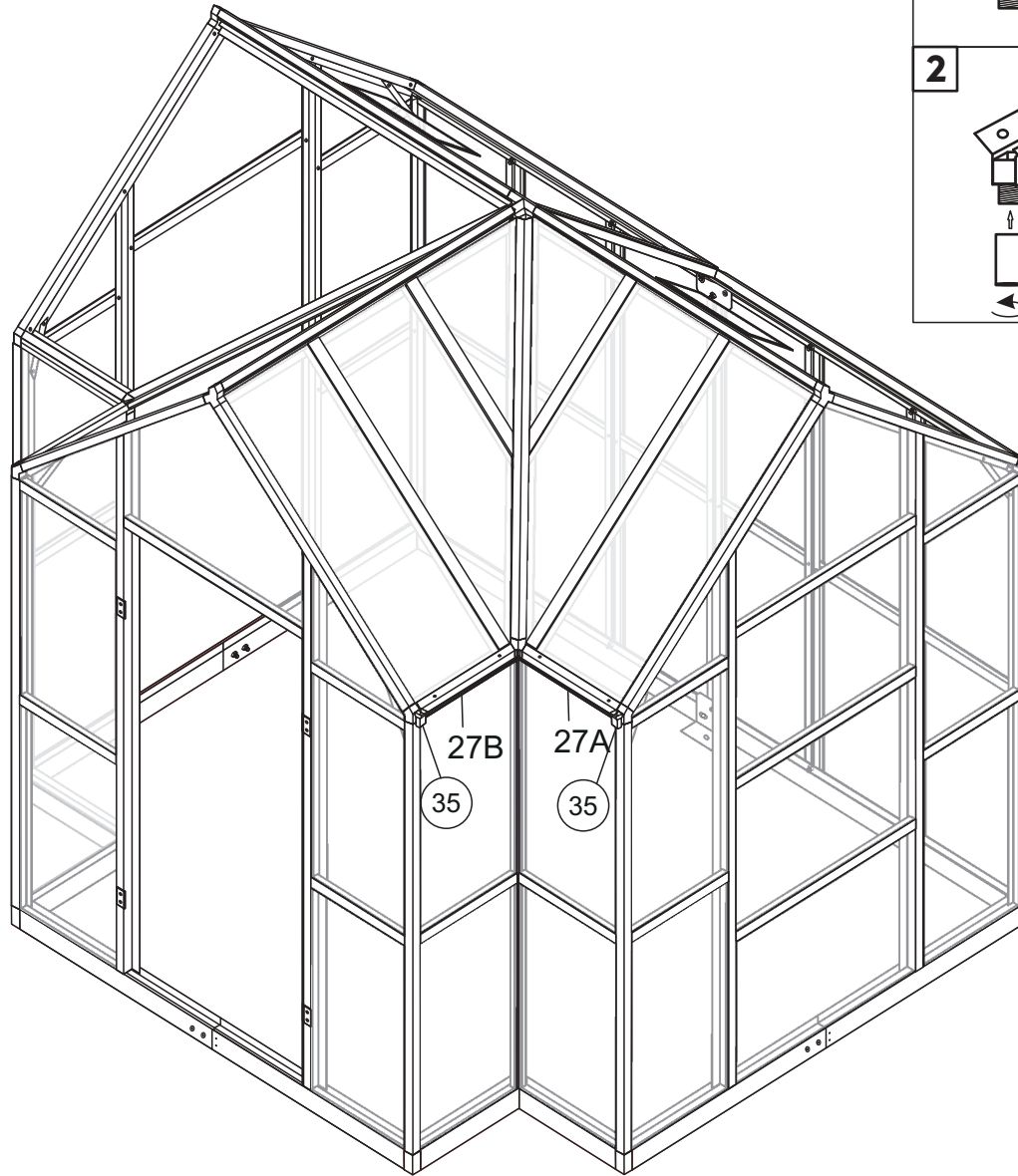
Picture	NO.	Qty.
	28A	2
	29B	1
	29C	1
	42	4

# STEP 39



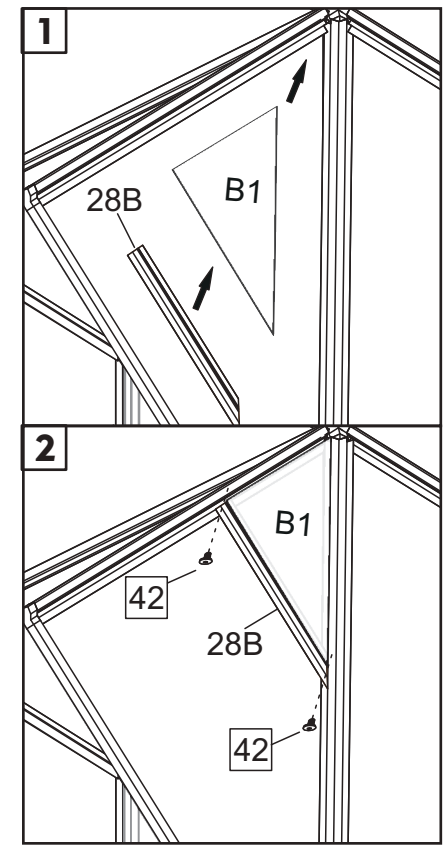
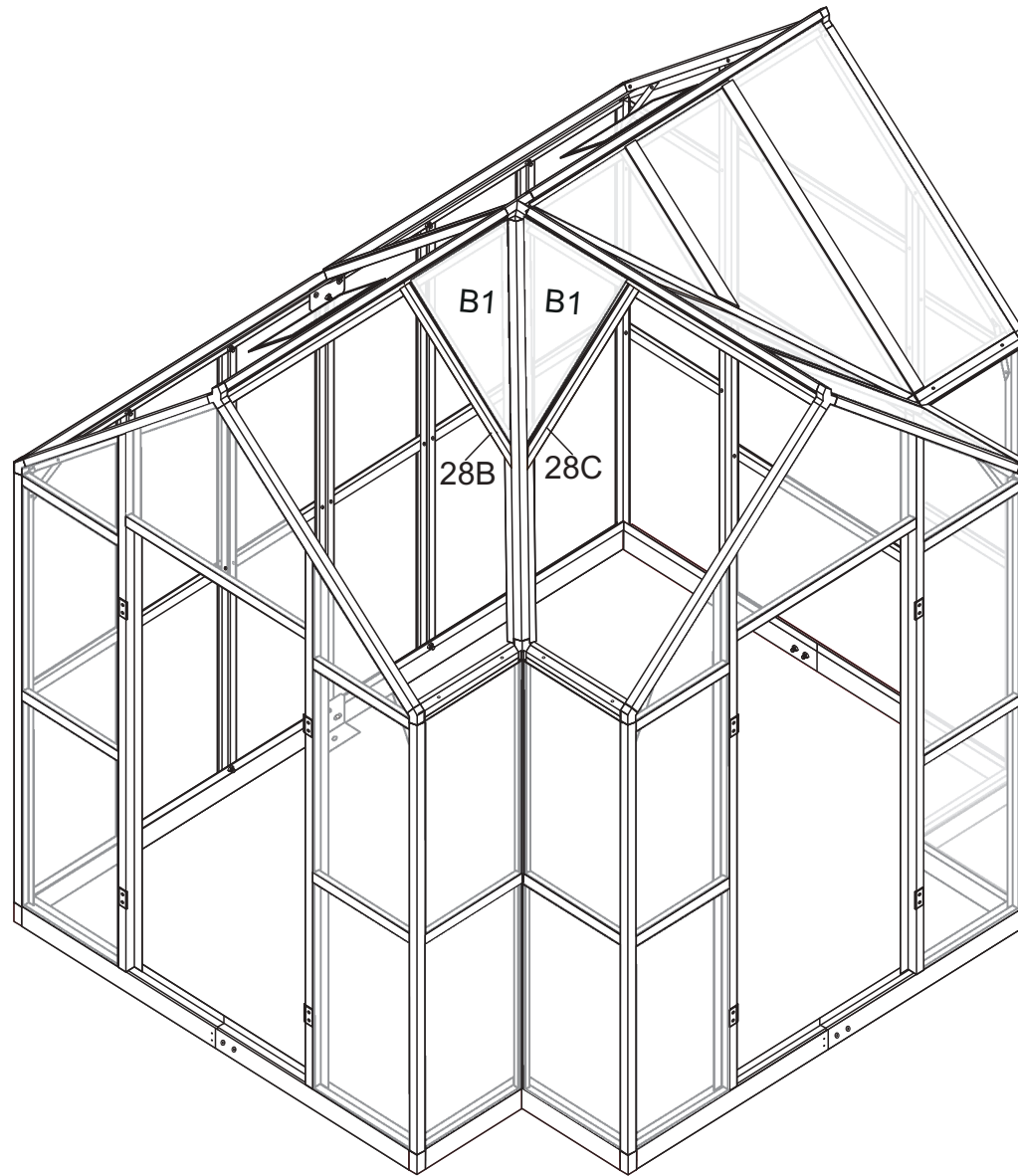
Picture	NO.	Qty.
	B3	2
	29A	2





# STEP 40



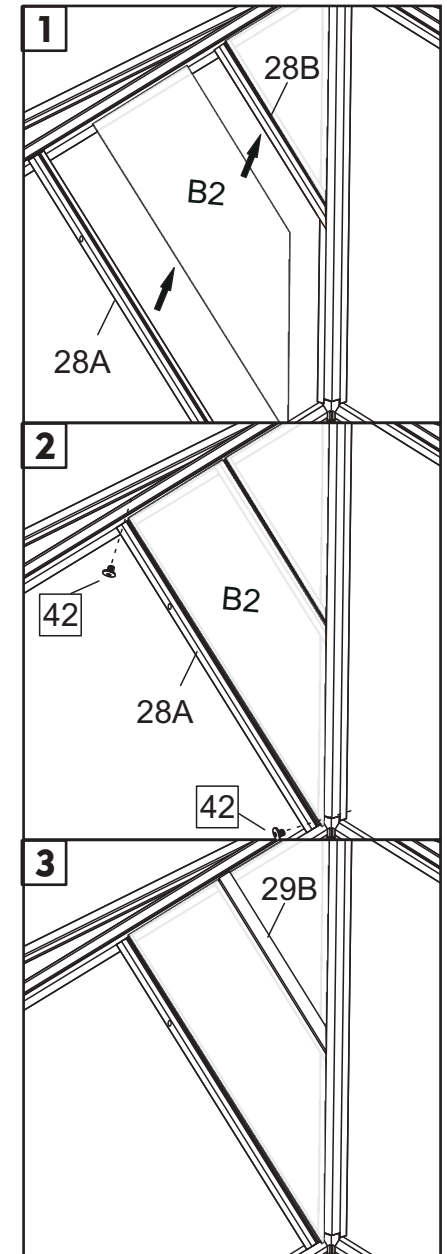
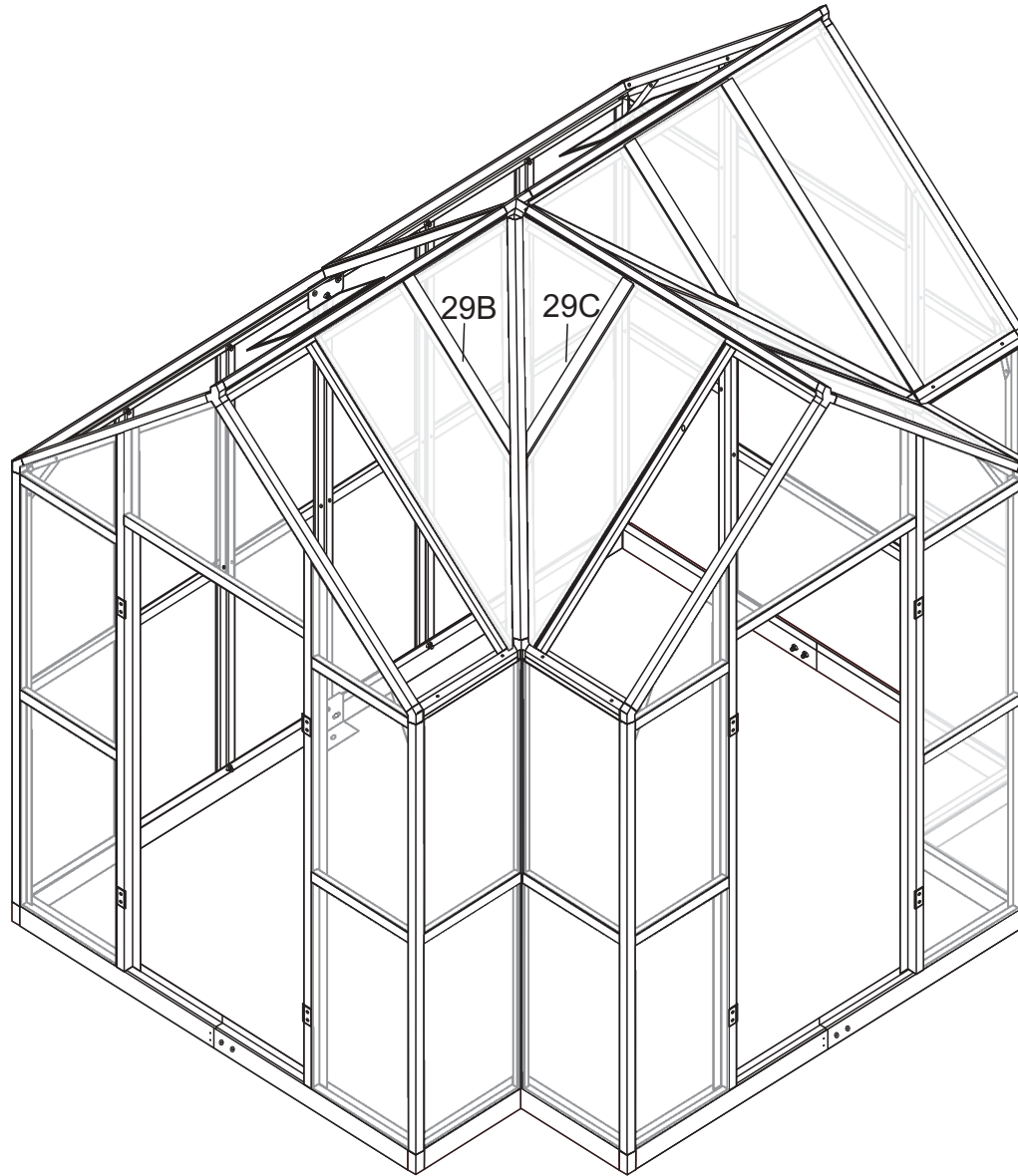
Picture	NO.	Qty.
	27A	1
	27B	1
	35	2
	42	4





# STEP 41



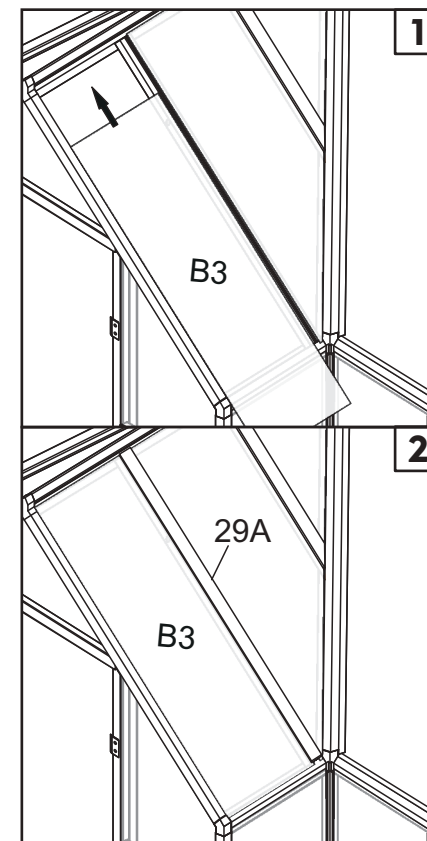
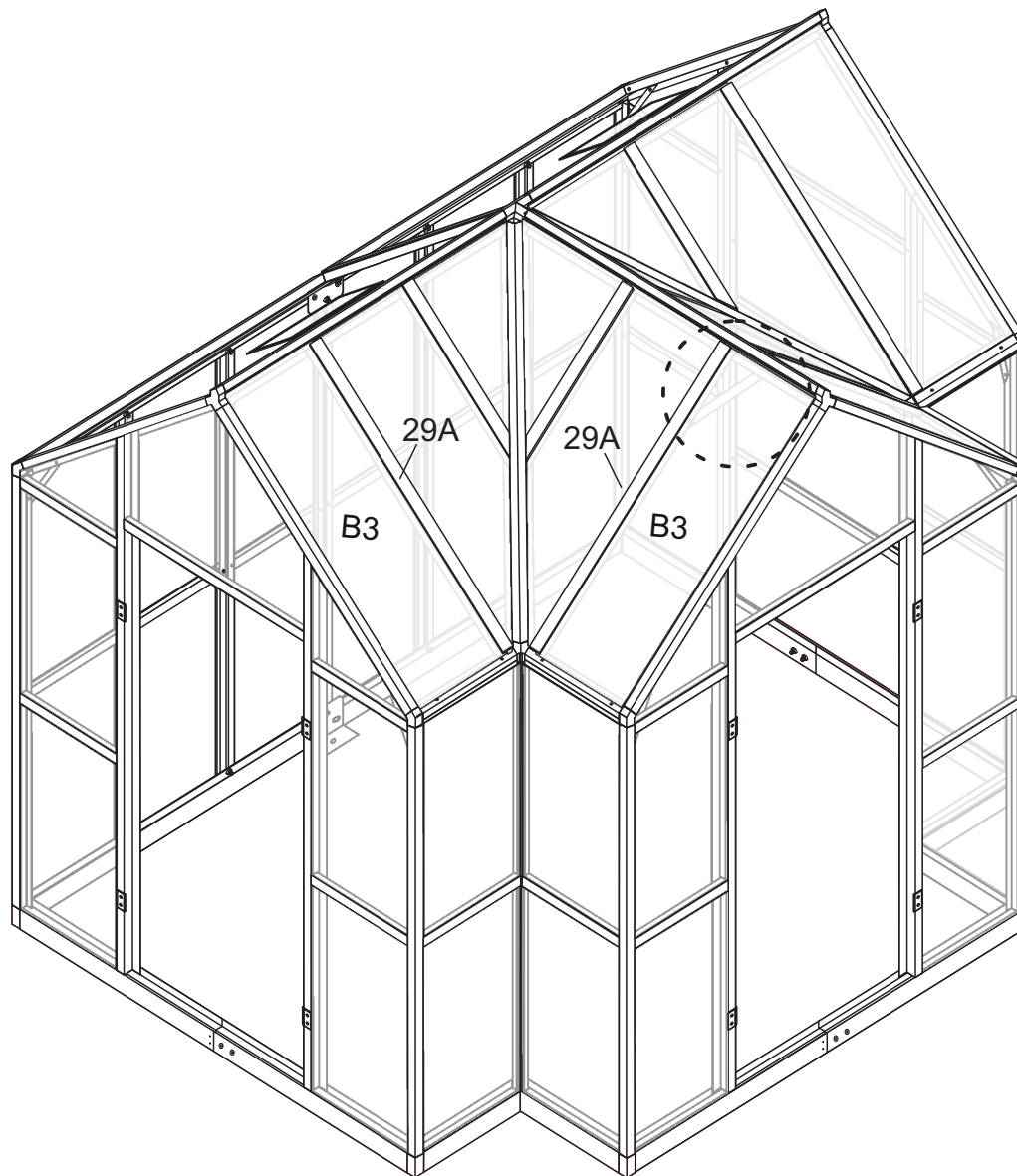
Picture	NO.	Qty.
	B1	2
	28B	1
	28C	1
	42	4

# STEP 42



Picture	NO.	Qty.
	28A	2
	29B	1
	29C	1
	42	4

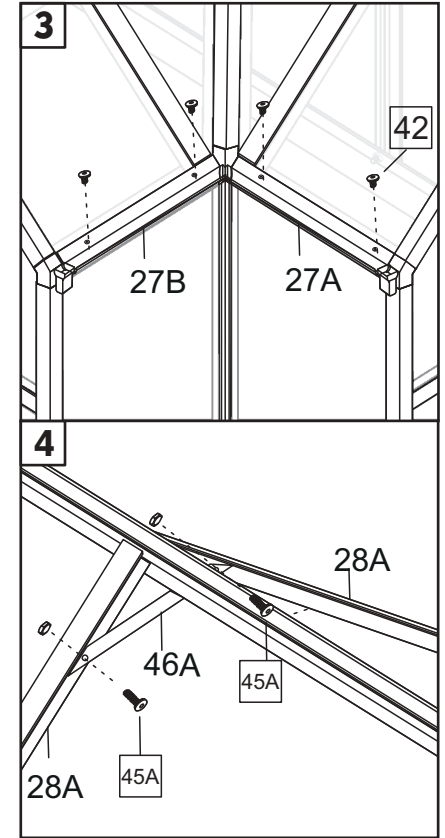
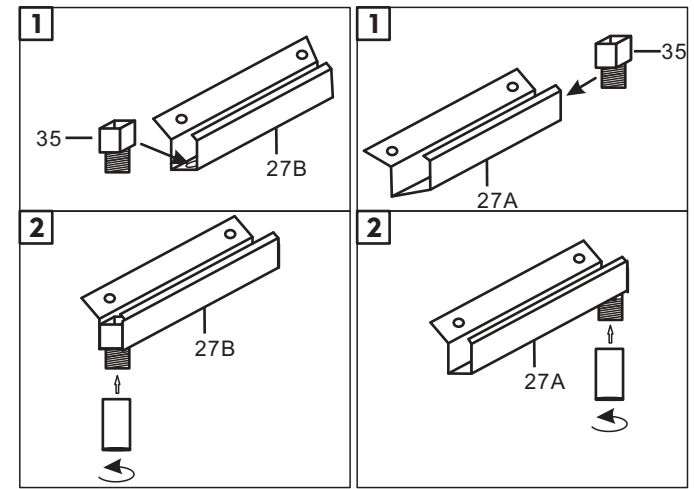
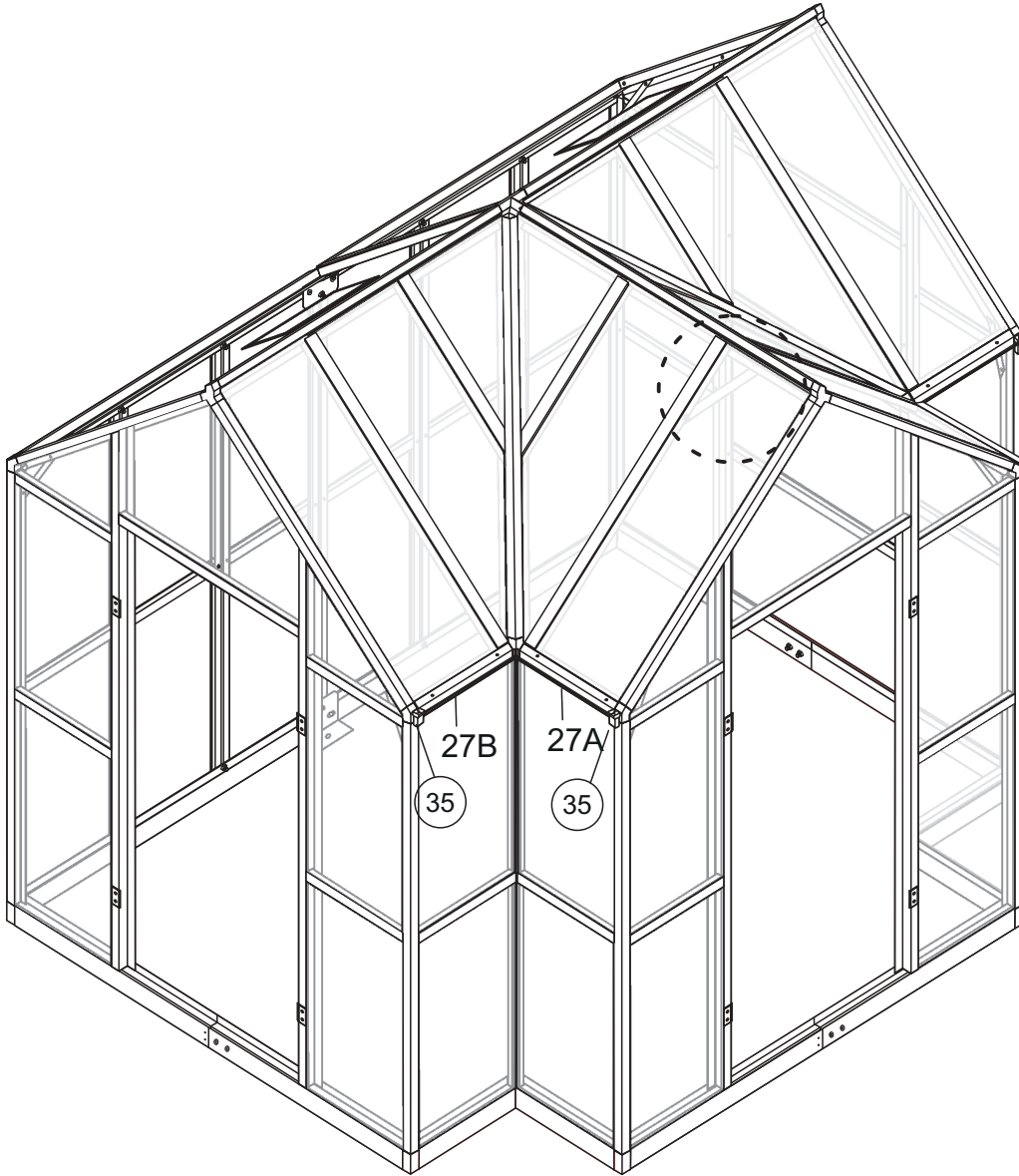
# STEP 43



Picture	NO.	Qty.
	B3	2
	29A	2

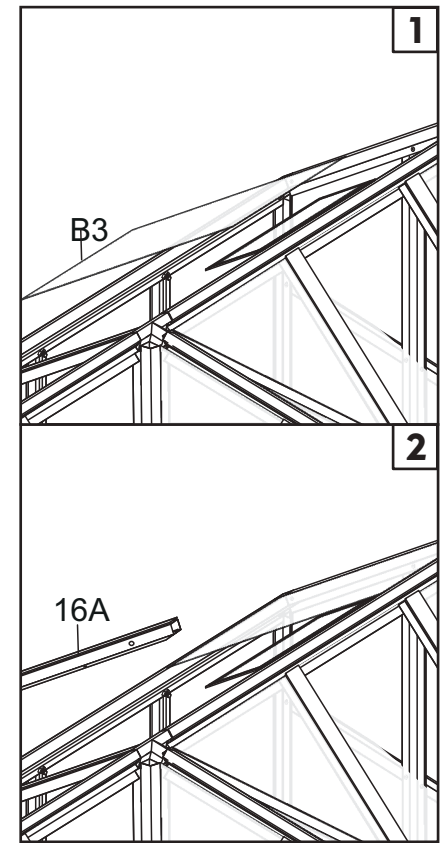
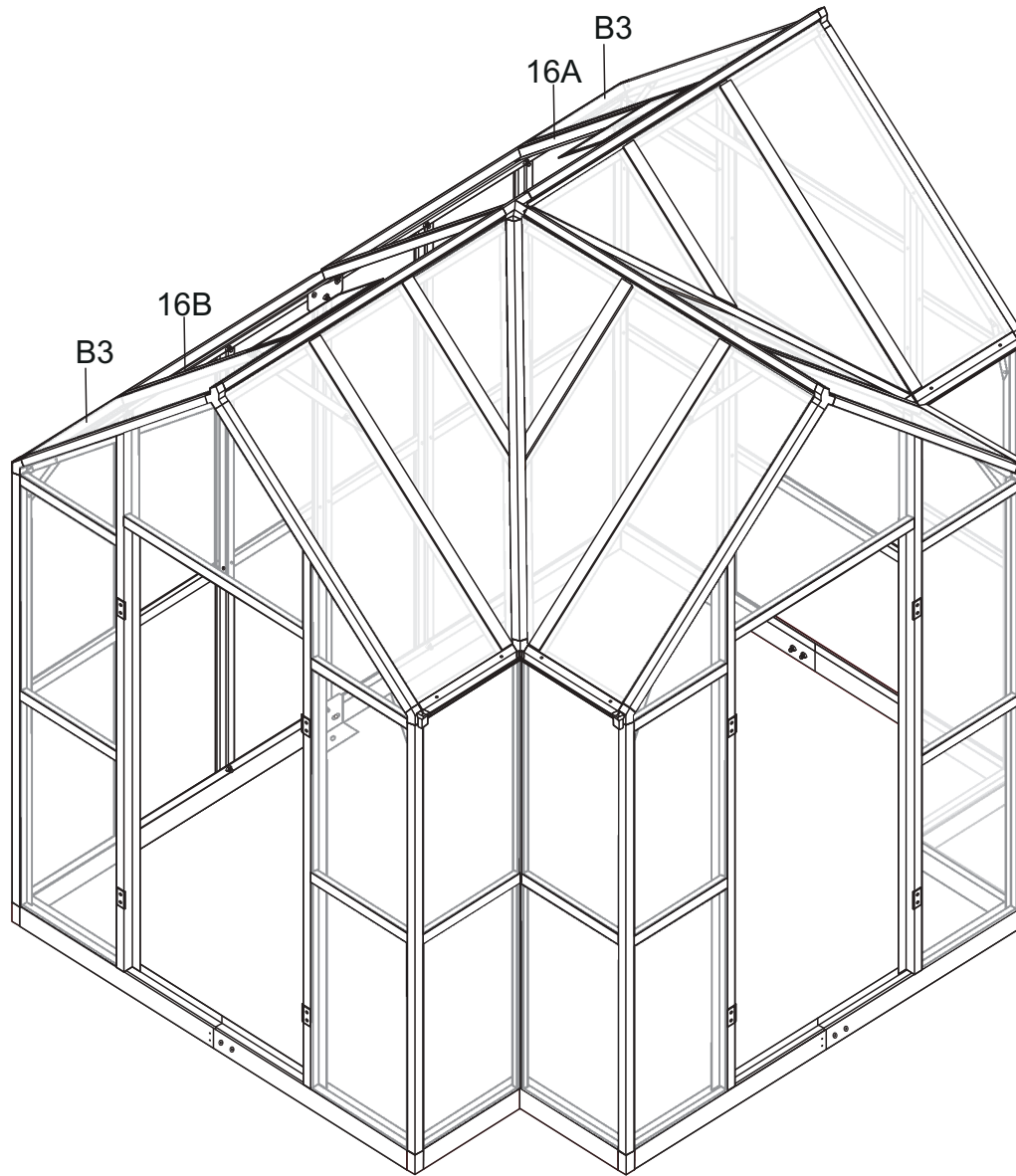
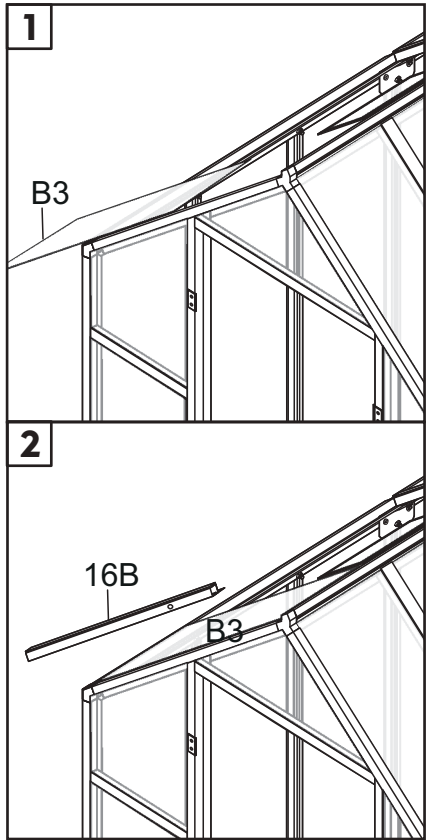


# STEP 44



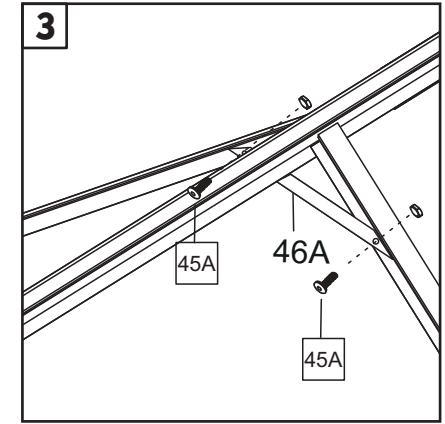
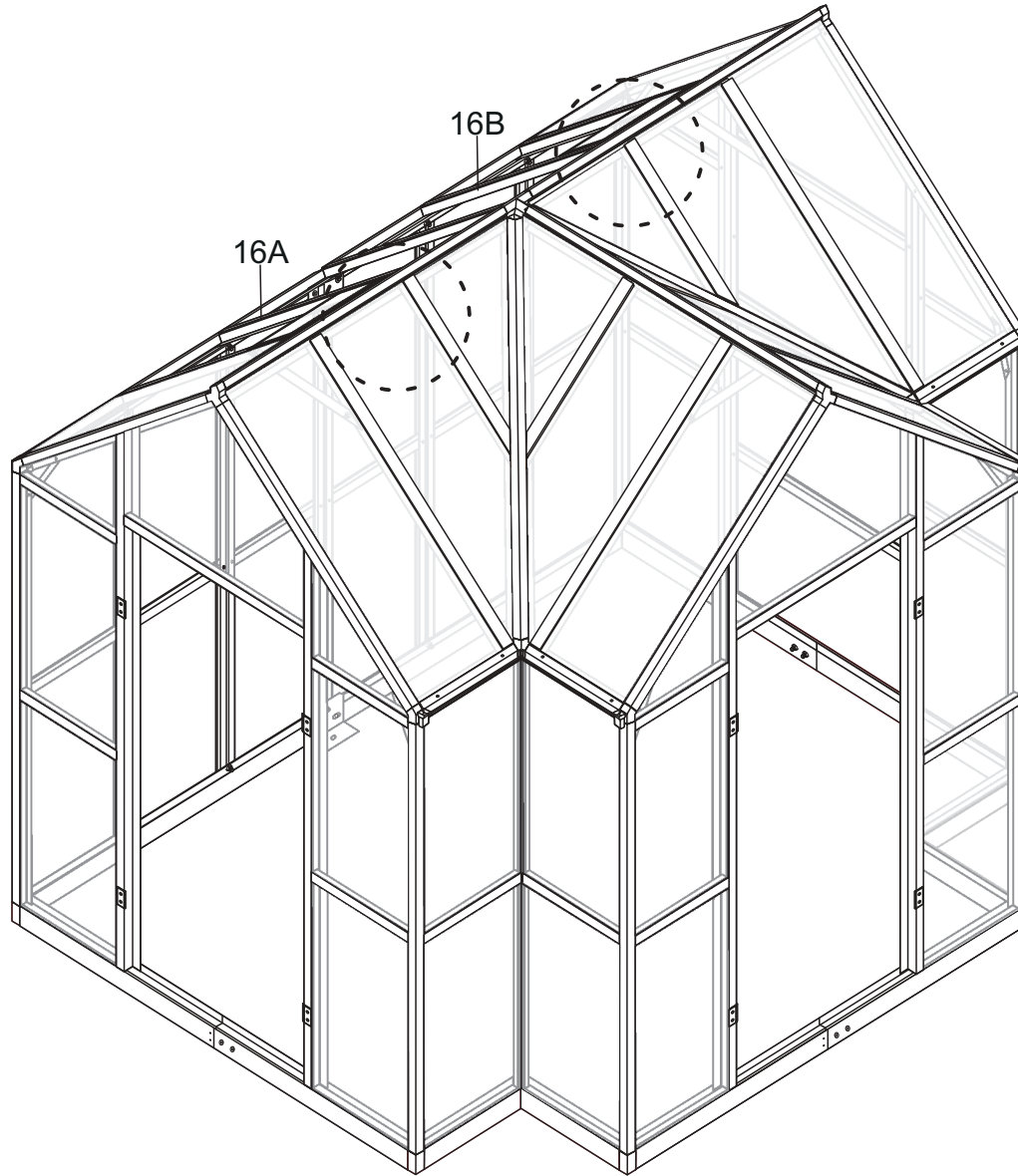
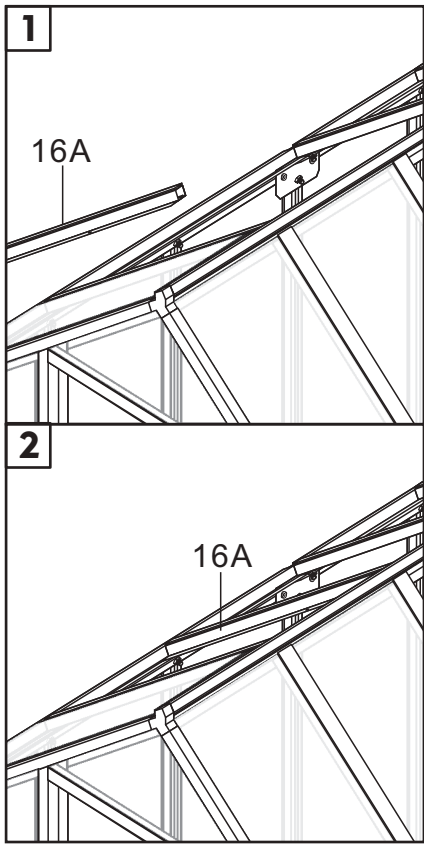
Picture	NO.	Qty.
	27A	1
	27B	1
	35	2
	42	4
	45A	2
	46A	1






# STEP 45



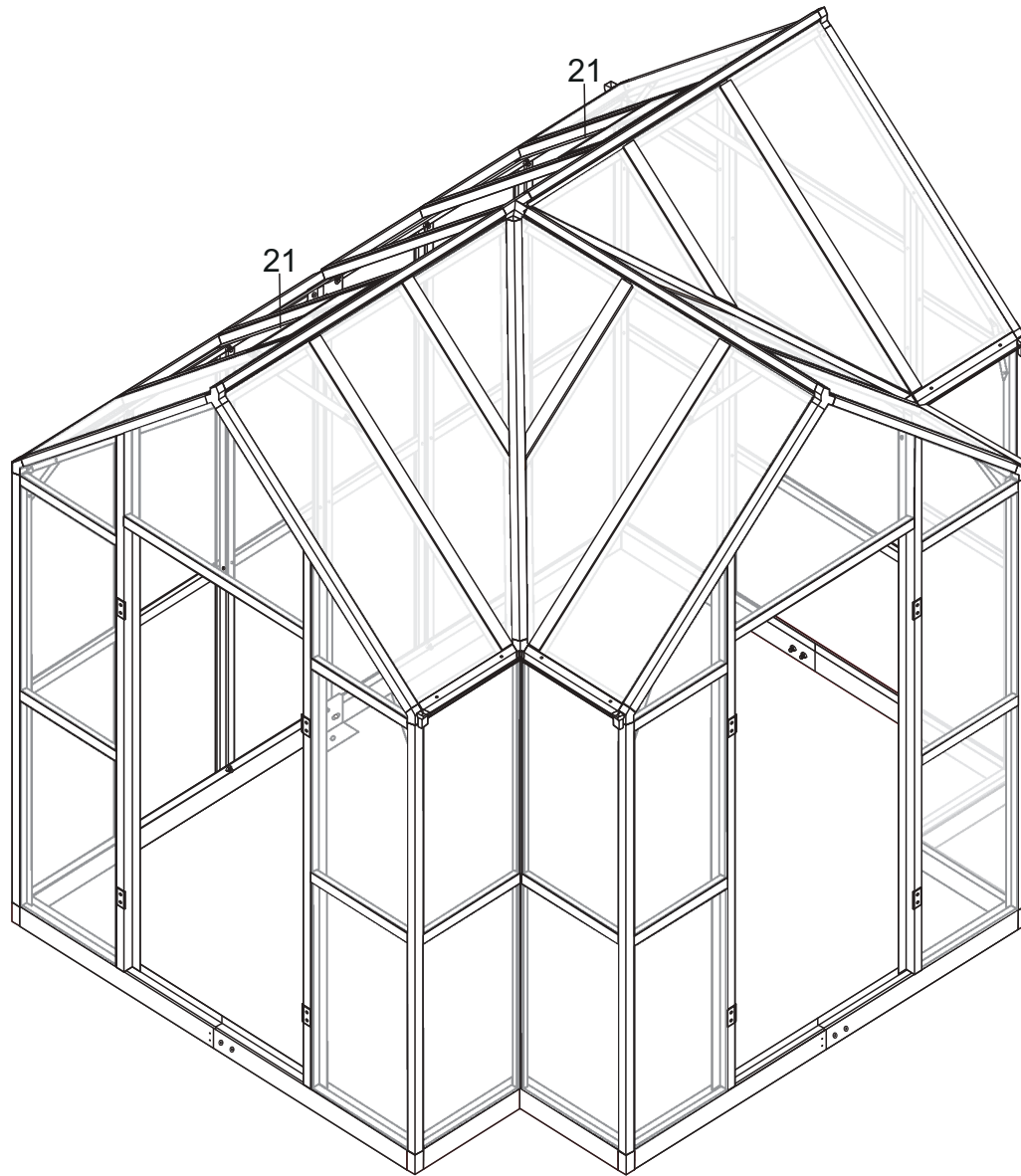
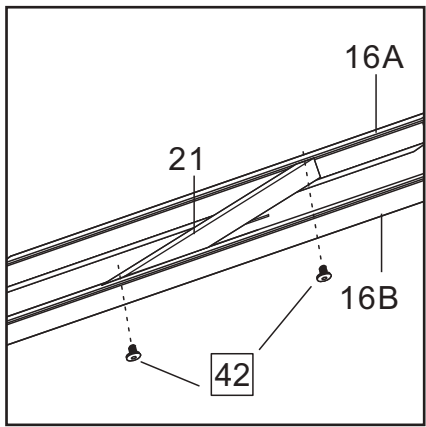
Picture	NO.	Qty.
	16A	1
	16B	1
	42	4
	B3	2



# STEP 46



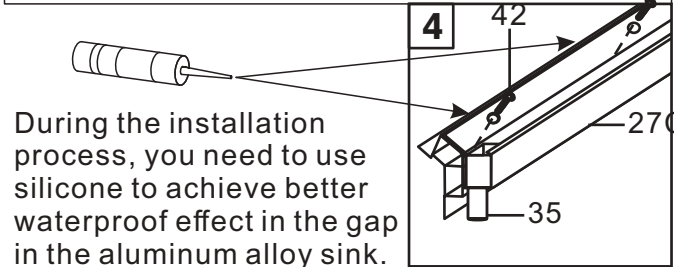
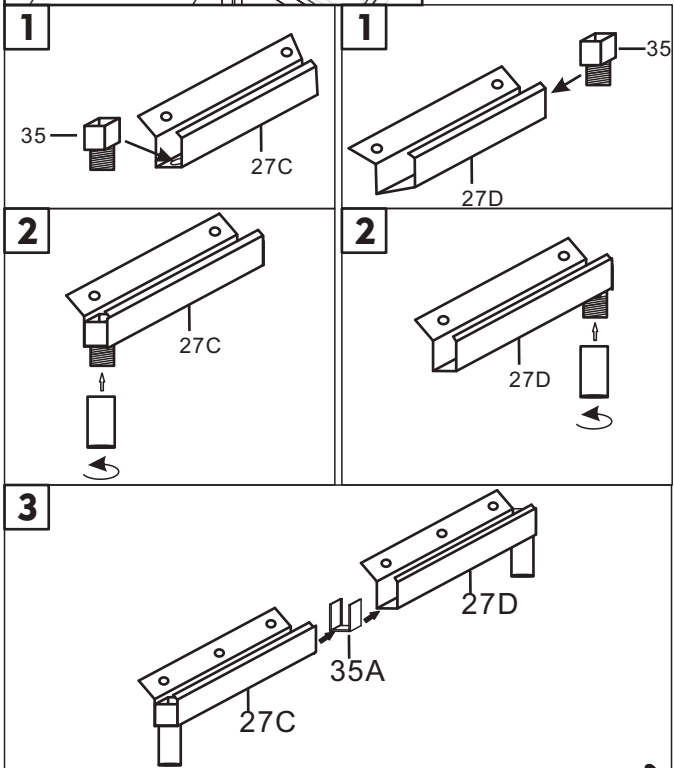
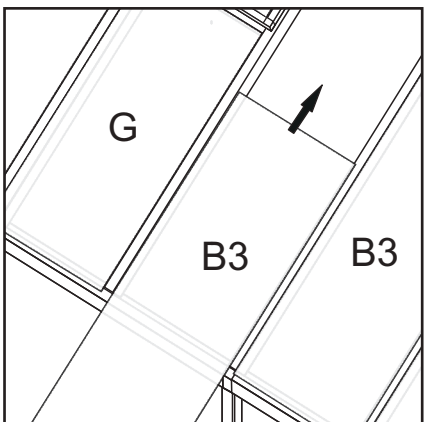
Picture	NO.	Qty.
	16A	1
	16B	1
	42	4
	45A	4
	46A	2

# STEP 47

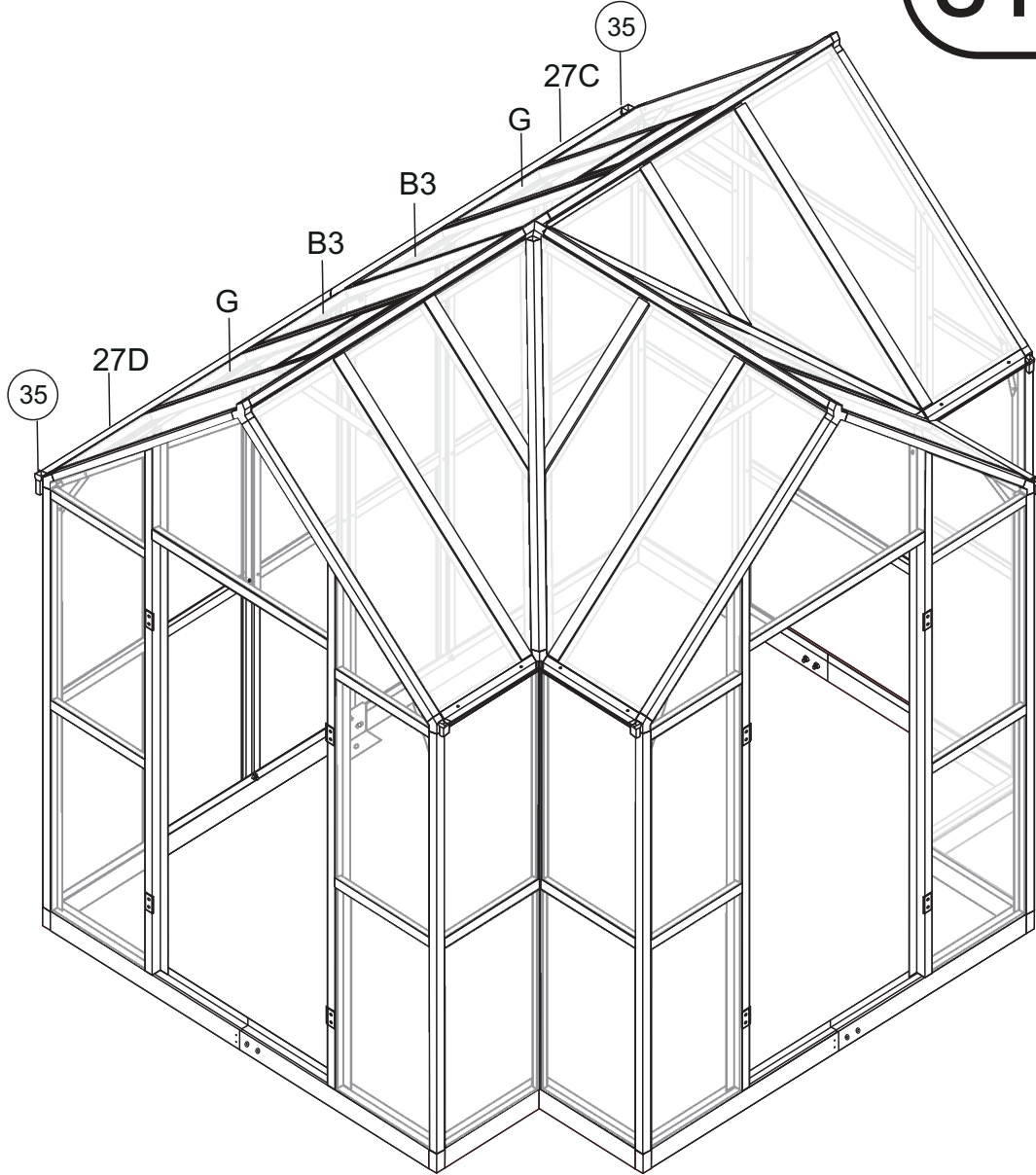


Picture	NO.	Qty.
	21	2
	42	4

# STEP 48

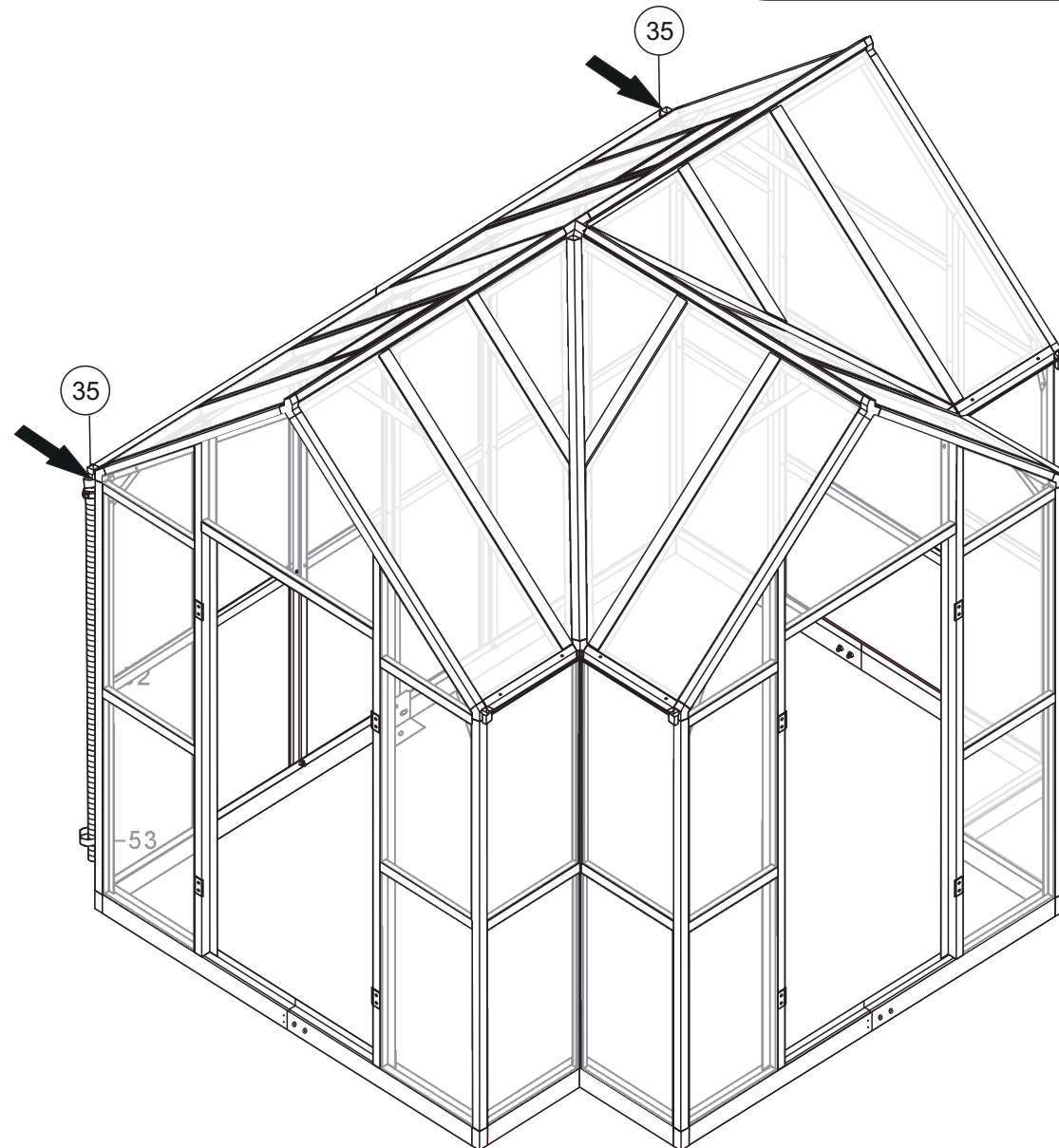
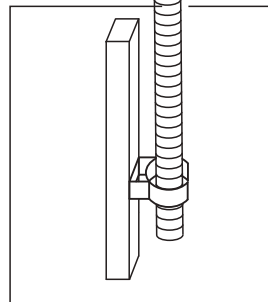
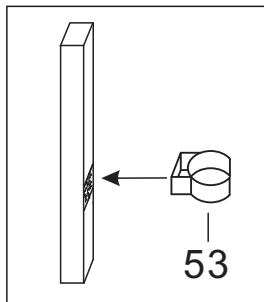
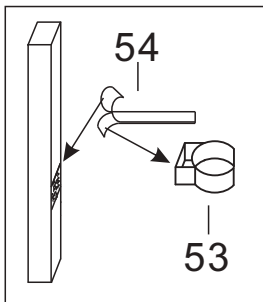
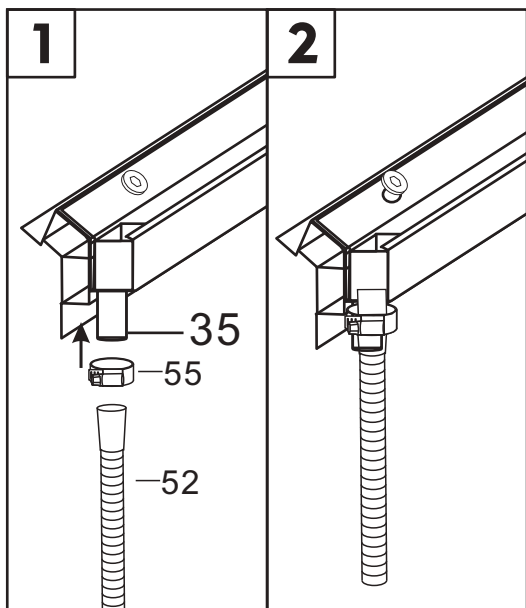




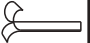

During the installation process, you need to use silicone to achieve better waterproof effect in the gap in the aluminum alloy sink.



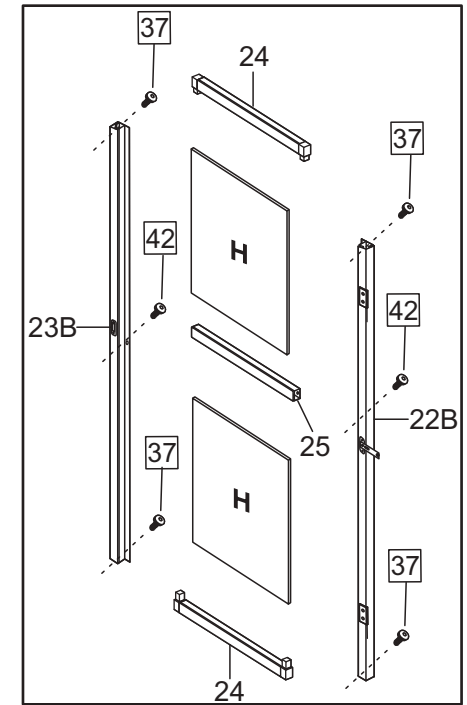
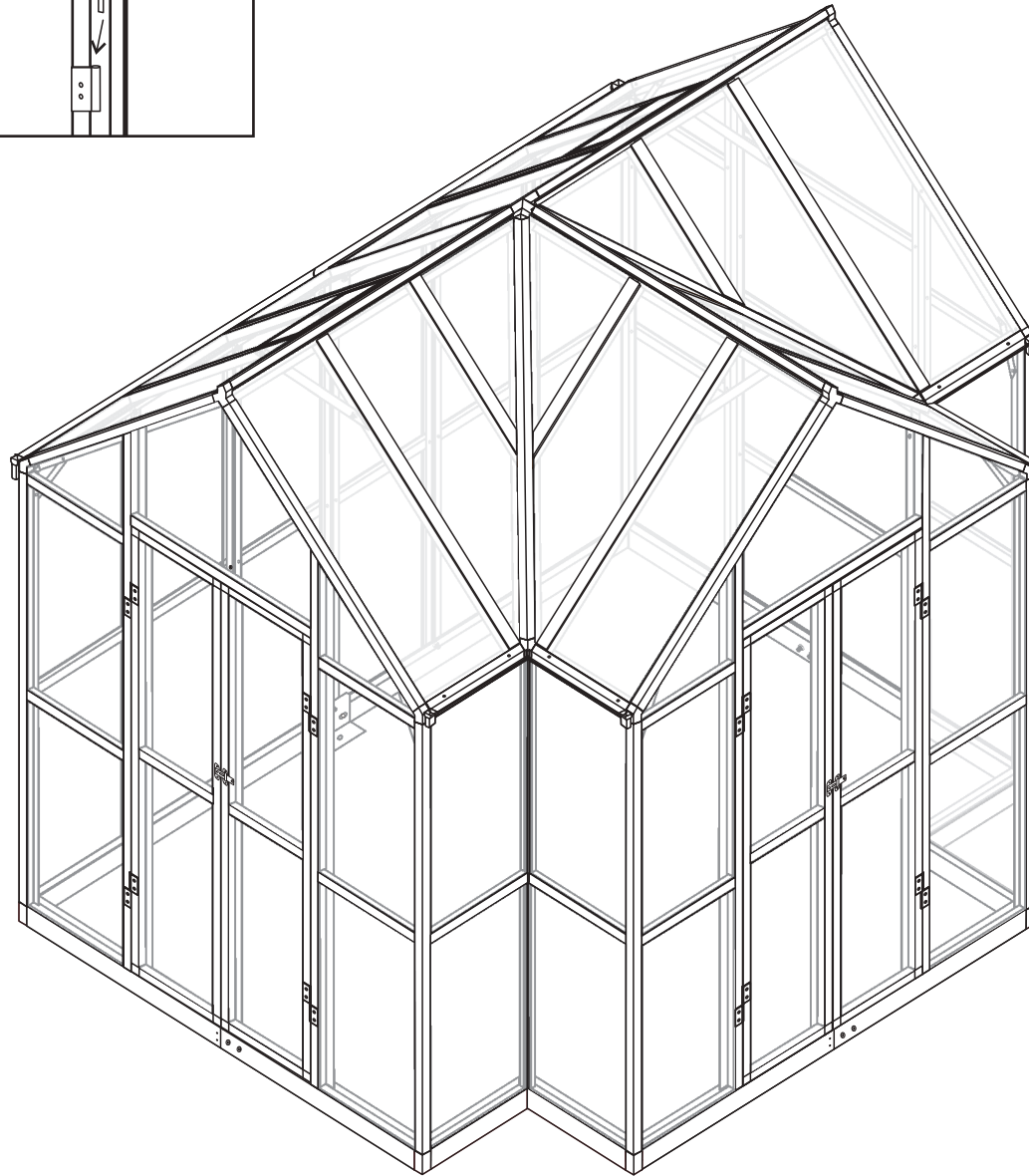
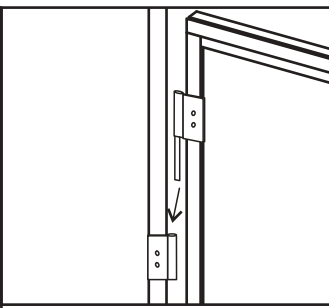
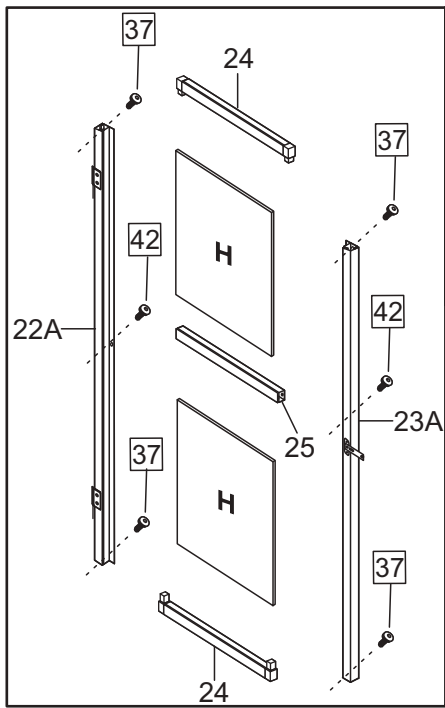
Picture	NO.	Qty.
	27C	1
	27D	1
	35	2
	42	6
	B3	2

# STEP 49



Picture	NO.	Qty.
	52	2
	53	2
	54	1
	55	2

# STEP 50



Picture	NO.	Qty.
	22A	2
	22B	2
	23A	2
	23B	2
	24	8
	25	4
	H	8
	37	16
	42	8

# DANCOVER<sup>®</sup>

.com

## Contact information

Austria



Belgium



Croatia



Denmark



Estonia



Finland



France



Germany



Ireland



Italy



Latvia



Lithuania



Nederland



Norway



Poland



Portugal



Spain



Sweden



Switzerland



UK



For more information please visit: [www.dancovershop.com](http://www.dancovershop.com)