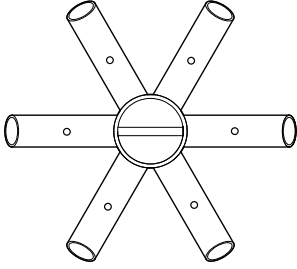

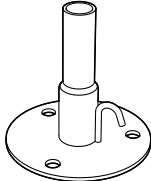


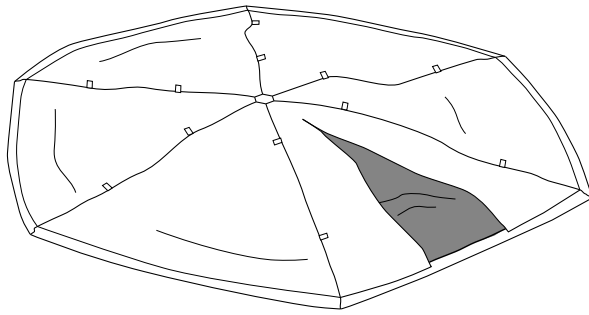
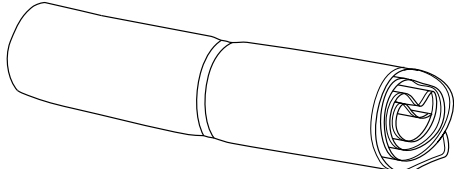


DANCOVER[®]

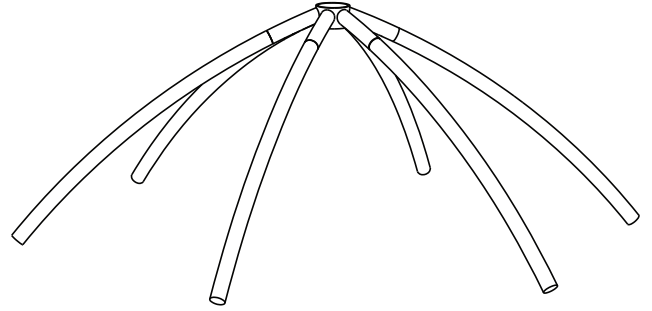
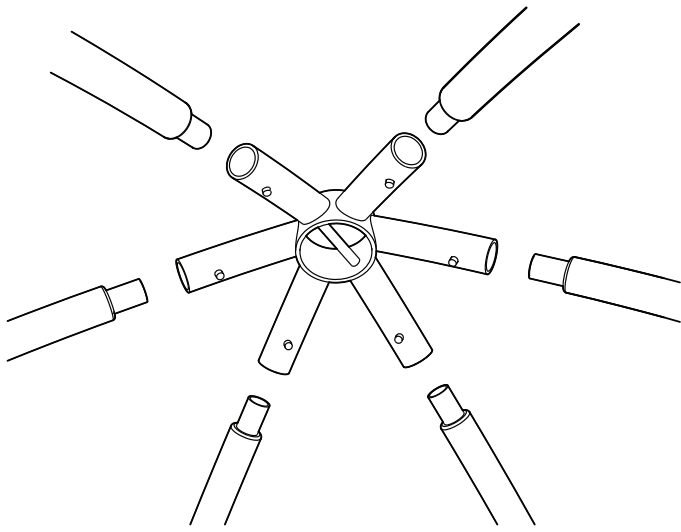
.com

Manual
for
Winter Protection Plant Tent
2,5x2,5x2m

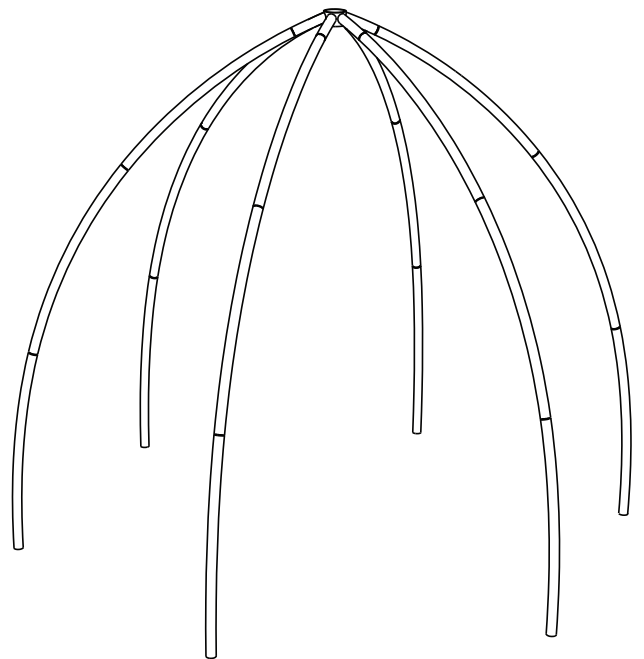
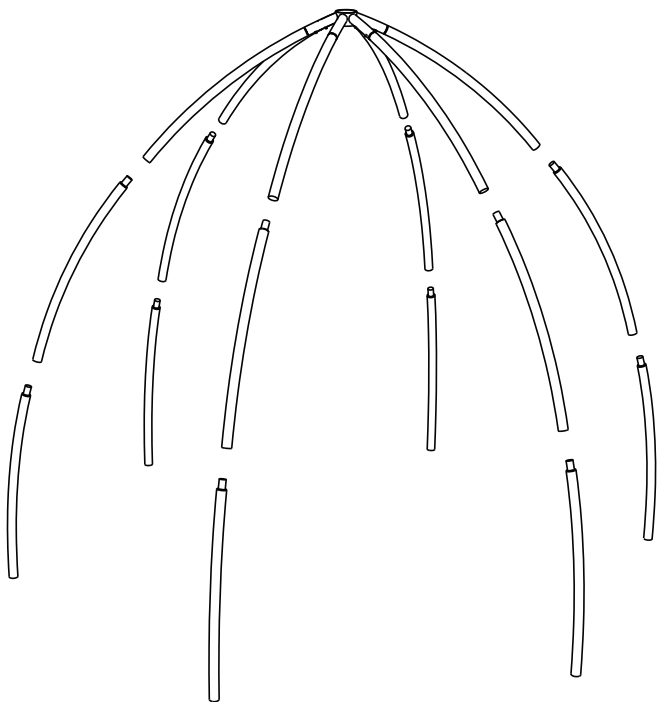
Part List

Part no.	Reference Image	Quantity
1		1
2		18
3		6
4		30
5		6
6		1
7		1

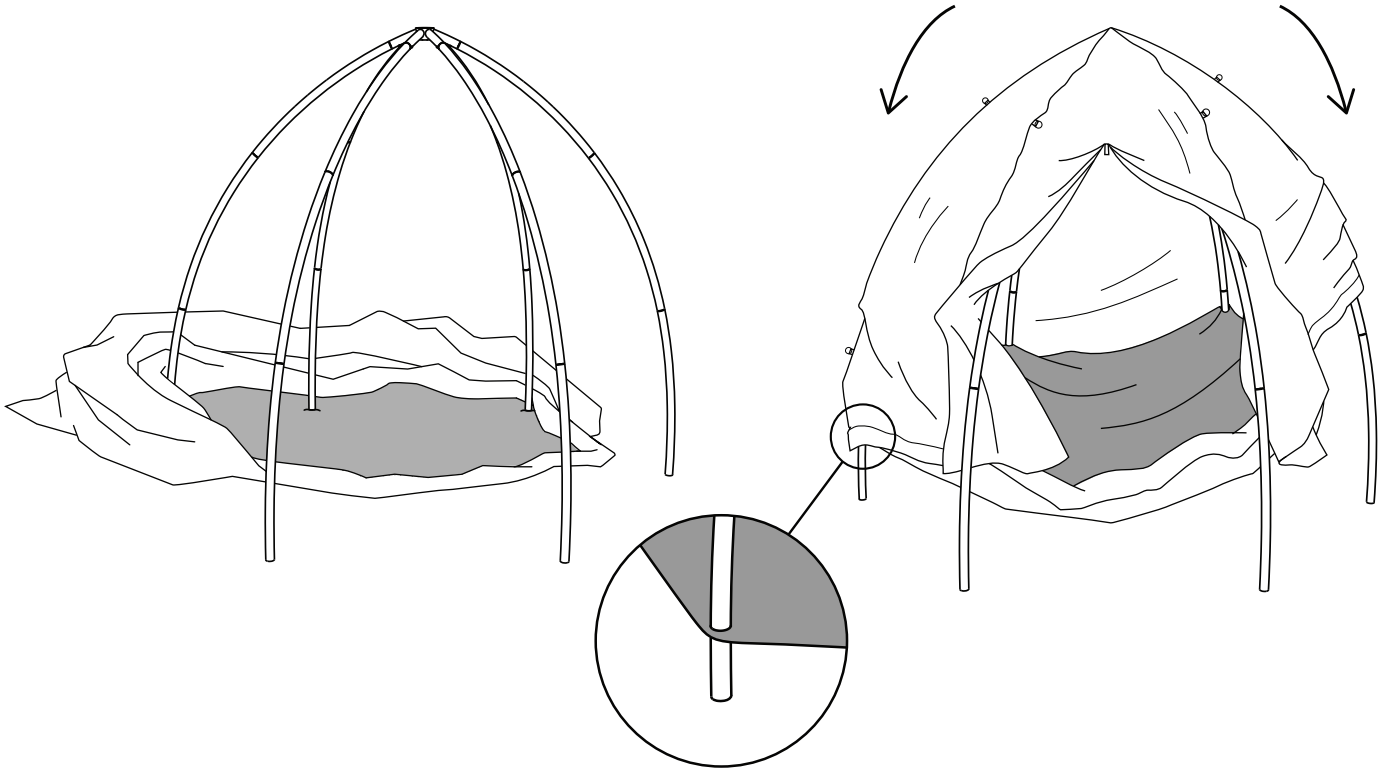
Step 1: Insert six of the pipe (2) into the 6-way connector (1) until you hear them click.



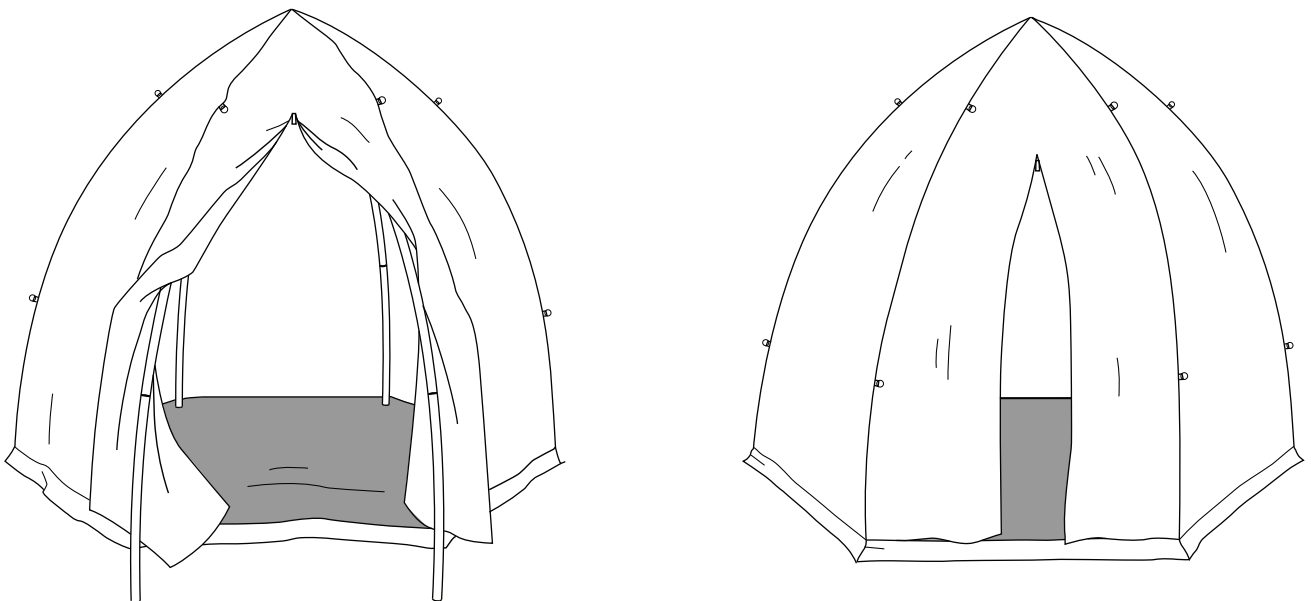
Step 2: Extend these with the 12 remaining pipes (2).



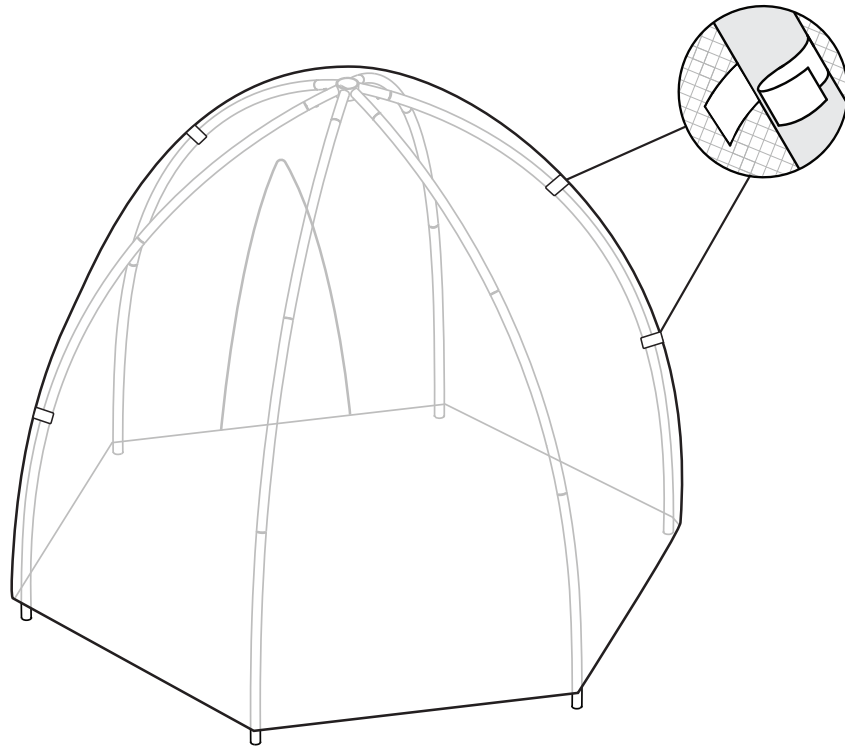
Step 3: Spread out the outer cover and groundsheet. Insert the legs (2) through the holes in the groundsheet from above on three out of the six legs (2) and pull the outer cover over the frame as much as possible.



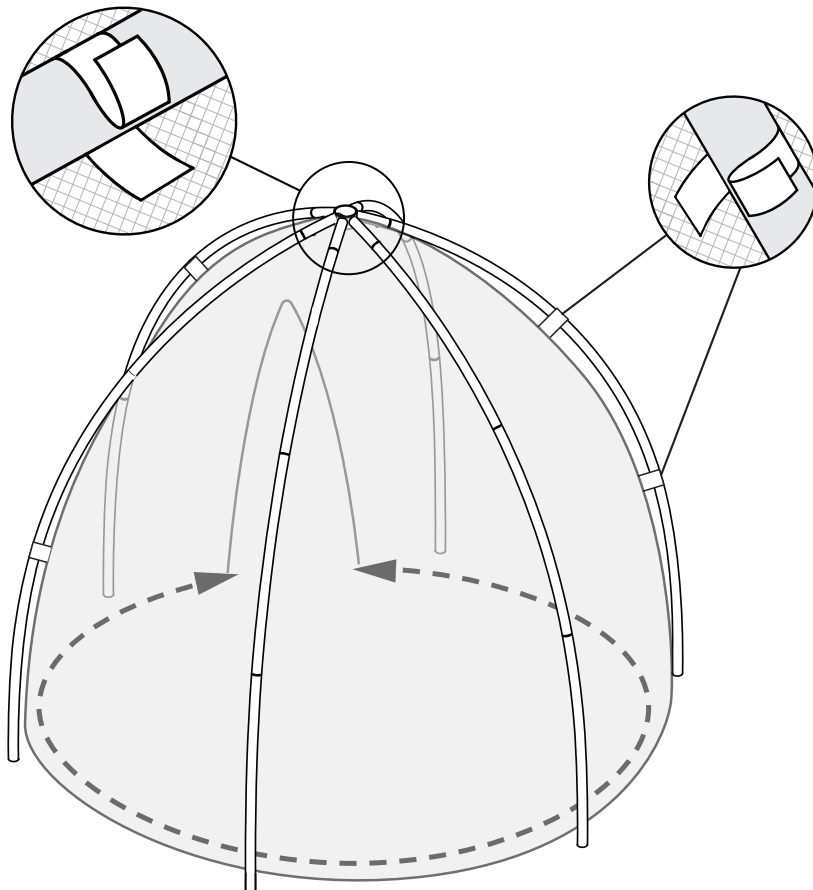
Step 4: Insert the fourth leg (2) and pull the cover back in place over the frame. The center of the outer cover should be positioned directly above the 6-way connector (1). Insert the fifth and sixth leg (2) into the cover.



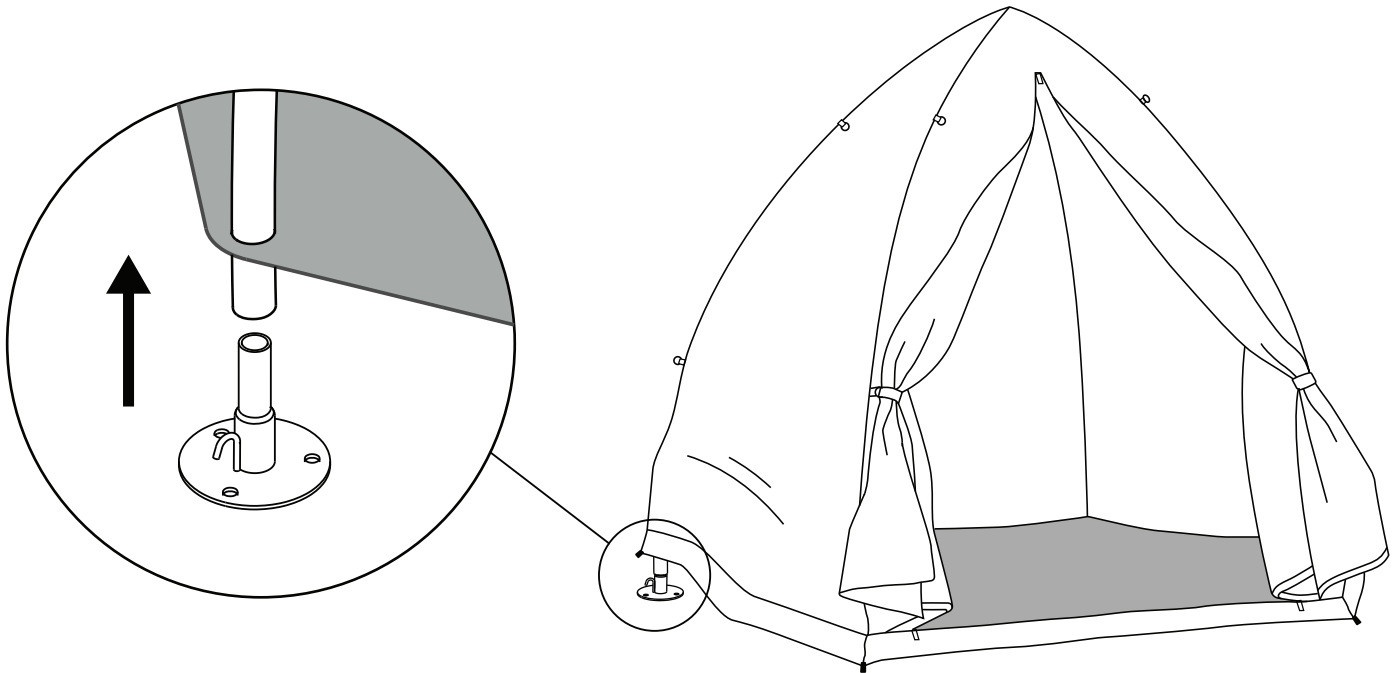
Step 5: Use the Velcro to attach the outer cover on the pipes.



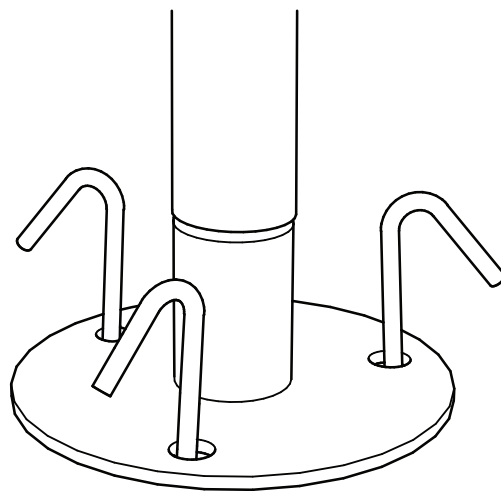
Step 6: Use the Velcro to attach the inner cover on the pipes. Use the strap to tie the inner cover to the 6-way connector (1).



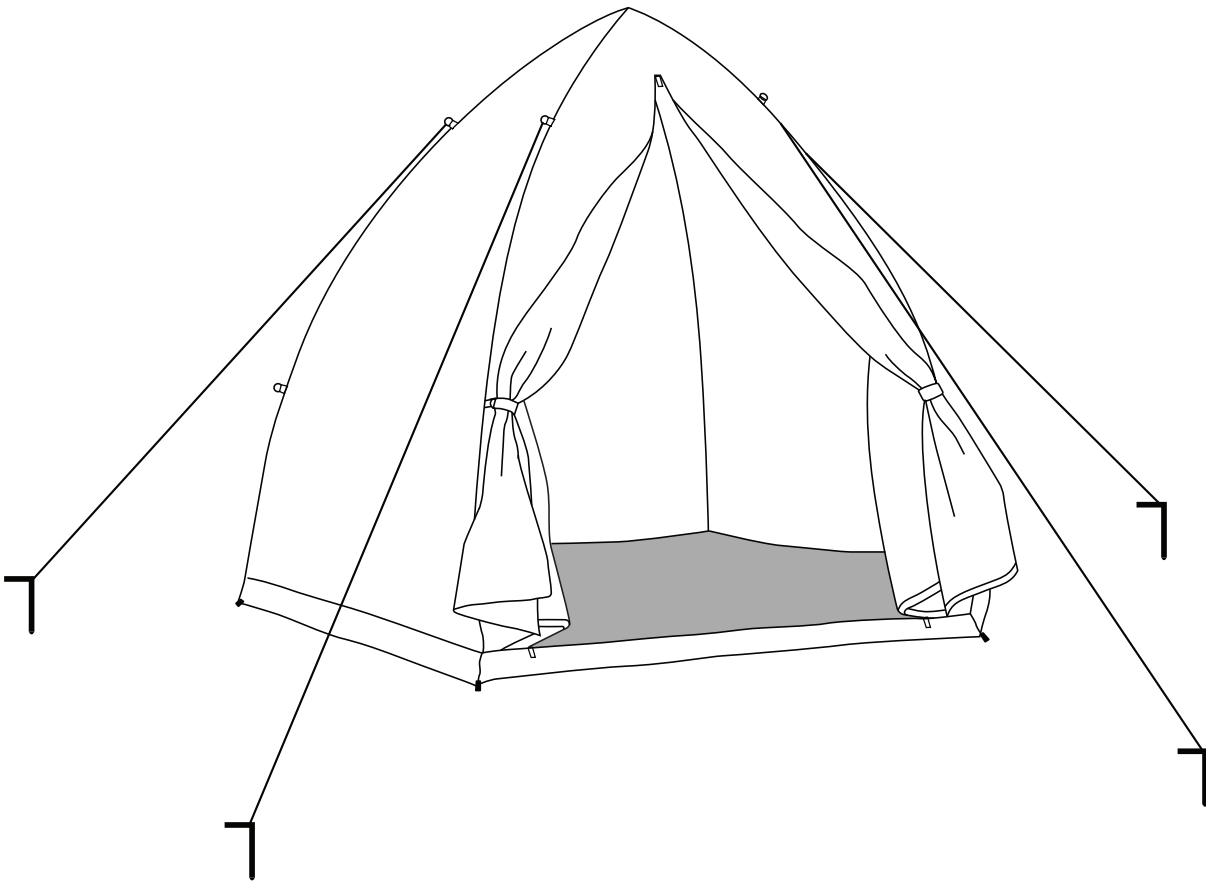
Step 7: Insert the feet (3) into legs (2). The hook must be facing out.



Step 8: Then anchor the feet (3) in the ground using the tent pegs (4). Use three pegs per foot.



Step 9: Use the ropes on the corners to give the tent extra tension.



DANCOVER[®]

.com

Contact information

Head office:

Dancover A/S
Nordre Strandvej 119 G
3150 Hellebæk
Denmark

For more information
please visit:
www.dancovershop.com

National contact

Denmark: 70 26 76 20
denmark@dancover.com

UK: 020 8099 7570
uk@dancover.com

Germany: 041 0266 7040
germany@dancover.com

France: 0975 181 800
france@dancover.com

Sweden: 040 233 262
sverige@dancover.com

Finland: 0 931 581 720
suomi@dancover.com

Poland: 22 300 8602
polska@dancover.com

Luxembourg: +49 041 0266 7040
luxembourg@dancover.com

Portugal: 308 800 899
portugal@dancover.com

Spain: 911 436 828
espana@dancover.com

Italy: 02 479 21 198
italia@dancover.com

Switzerland: 0840 000125
schweiz@dancover.com

Austria: 0662 626935
austria@dancover.com

Norway: 231 00 690
norge@dancover.com

Nederland: 0 858 880 524
nederland@dancover.com

Ireland: 0 151 33 003
ireland@dancover.com

Belgium: 0 28 08 08 09
belgique@dancover.com