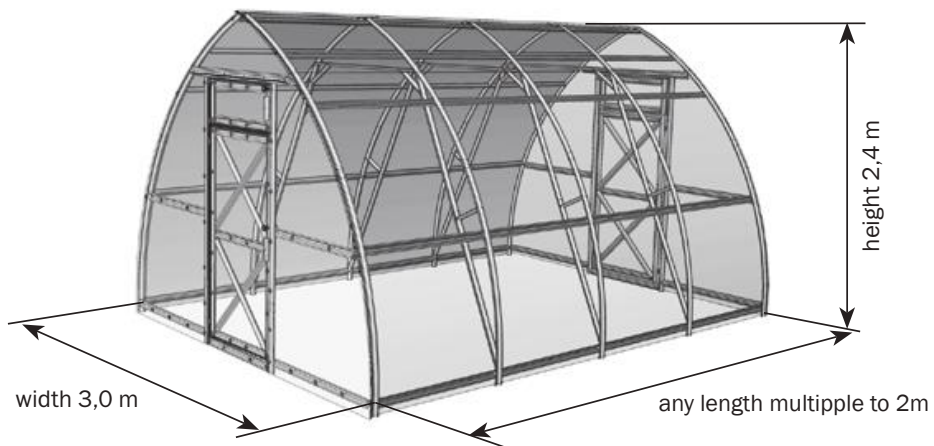


DANCOVER[®]



Manual
for
Greenhouse
ARROW 3,0





Perform installation and operation of the greenhouse in strict accordance with the manual and operating rules stated in the technical certificate. Please keep this technical certificate for further reference.

Description

Greenhouse ARROW is designed for creation of microclimate favorable for growing garden crops on cottage and household plots. Area of covered soil depends on length of the greenhouse (table 1). Height of installed frame is 2.4 m, width is 3.0 m.

The greenhouse may have various length depending on desire of buyer. Required length of greenhouse is provided by purchase of additional inset packages adding 2 m to the base length (Table 2).

Chart 1 Greenhouse specifications		
Length (m)	Covered area, sqm	Number of polycarbonate sheets, 2100x6000 (pcs)
2m	6	2
4m	12	3
6m	18	4
8m	24	5

The greenhouse frame is made of zinc-coated iron and assembled with screws and nuts. The greenhouse is fixed to the ground by digging special supports into the soil or by joining it to a foundation slab with fastening hooks. The supply package includes everything you need for fastening the cover surfaces. Cover surface sheets are supplied following the customer's request. The greenhouse has two door openings and two ventilating windows in the opposite ends. Side ventilating windows are supplied following the customer's request.

Chart 2 Packages supplied										
Green-house length	package numbers						Inset			
	№ 1	№ 2	№ 3	№ 4	№ 5	№ 6	№1	№2	№3	№4
	2m	+	+	+	+	+	+			
4m	+	+	+	+	+	+	+	+	+	+
6m	+	+	+	+	+	+	++	++	++	++
8m	+	+	+	+	+	+	+++	+++	+++	+++

Chart 3 Package contents		
contents	dimensions, mm	Weight max. kg
Frame (base length 2 m)		
Package 1 – beams, straight parts and assembly manual	105x980x65	19,0
Package 2 – parts of arches and butt ends	170x1500x65	18,5
Package 3 – straight parts for butt ends, arch reinforcements	100x1290x65	20,0
Package 4 - ridge profile	40x1100x750	1,2
Package 5 - weather strips	350x300	1,0
Package 6 - fasteners and parts	85x270x200	4,5
Package 7 * - side ventilating window		5
Inset (extending the frame by 2 m)		
Package 1 - beams	80x980x65	12,5
Package 2 - parts of arches and straight parts	135x1480x65	14,7
Package 3 - ridge profile	40x1100x750	1,2
Package 4 - fasteners and parts	85x200x200	1,2

*-additional packages supplied following the customer's request.

Chart 4 Detailed list of parts for Greenhouse ARROW

Marking	Name	Quantity (pcs)
Package 1 (beams and straight parts)		
2	Beam	20
14	Door diagonal part	4
15	Door diagonal strap	4
19	Ventilating window horizontal part	4
20	Ventilating window vertical part	4
	Hooks	4
Package 2 (arch parts)		
4H	Lower arch	6
4B	Upper arch	6
8	Upper door opening stand	4
12	Door vertical part	4
Package 3 (straight parts for butt ends, arch reinforcements)		
1	stand	10
3	support	10
5	Butt end upper strainer	2
6	Butt end lower strainer	2
6k	Butt end lower strainer	4
7	Lower door opening stand	4
9	Horizontal strainer	1
10	Side brace	4
11	Brace spreader	2
13	Door horizontal part	6
16	Butt end strap	2
17	Door strap for the latch	4
18	Reinforcement nogging piece	2
21	middle strainer	4
	Left tubular reinforcement	2
	Right tubular reinforcement	2
Package 4 (ridge profile)		
	Ridge profile	2
Package 5 (weather strips)		
	Hinge strip (m)	3,6
	Door strip (m)	10
	Butt end strip (m)	12
Package 6 (fasteners and parts)		
	Angle	28
	Ridge cover plate	3
	Arm	12
	Support hook M4x10	2
	Screw M5x10	372
	Screw M5x14	22
	Screw M5x35	120
	Screw M4x8	6
	Screw M4x35	8
	Bolt M5x50	18
	Bolt M6x60	6
	Self-tapping screw	6
	Nut M4	16
	Nut M5	532
	Nut M6	6
	Washer	132
	Washer M6	12
	Top wire bandage	3
	Bottom wire bandage	6
	Hinges	8
	Semifinished rotator (with two elastic headers)	4
	Bending tube	1
	Adhesive tape	1
	Handle	8
	Pin	4
	Profile L=1,05m	4
	Two-side adhesive tape L=4,2M	1


Chart 5 Detailed list of parts for Inset		
Package 1		
2	balk	20
Package 2		
3	support	4
1	stand	4
4H	bottom arc	4
4B	top arc	4
9	horizontal strainer	2
10	side brace	8
11	brace strut liner	4
18	stiffening boom	4
Package 3		
	ridge profile	2
Package 4		
	angle	8
	ridge cover plate	2
	bottom wire bandage	4
	top wire bandage	2
	screw M5x10	150
	screw M5x14	4
	screw M5x35	16
	screw M4x8	4
	screw M4x35	8
	nutM4	12
	Nut M5	174
	Nut M6	8
	washer	16
	washer M6	8
	boltM6x60	4
	profile L=1,0m 	4
	double sided tapeL=4m	1

Chart 6 Small window detailed parts list – 7th package		
	Name	Quantity (pcs)
Package 1		
φ1	long bar	2
φ2	short bar	2
φ3	long diagonal	1
φ4	short diagonal	1
	wire stop	1
	wire extender	1
Package 2		
	arm	1
	polycarbonate	0,95x0,43
	sealer	0,95 m
	heave-off hinge	2
	screw M5x10	25
	screw M5x35	8
	washer 32x5	8
	nut M5	37
	clamp	2

Operating rules

1. Before use of greenhouse, assemble and install it in accordance with the manual.

2. In winter, coverage of greenhouses should not be removed provided that snow load is limited. Should greenhouse be unattended all winter period, buyer should either remove the coverage or estimate possible snow load. Ultimate load for the frame having complete package with installed drawbars and side braces appears under 360 kg snow cover per 1 m² of horizontal ground surface corresponding to 1.8 m fresh snow layer or 0.9 m packed snow layer. Recommended 4 mm depth of polycarbonate is enough for Russian midland. In case of regions

i When installing the greenhouse by third parties, buyer should supervise compliance of installation with the manual.

i Do not install greenhouse close to buildings and trees from which snow or ice can fall down. Minimal 2 m distance is recommended.

i Maximum wind pressure for this greenhouse is 25m/sec

with snow cover exceeding 0.6 m, thicker polycarbonate should be used for coverage of greenhouse top in accordance with local conditions.

Cleaning and washing sheets of polycarbonate.

- 1.** Rinse the sheet with warm water.
- 2.** Wash the sheet with a solution of soft soap or with a domestic detergent and warm water, using a soft rag or a sponge to take away the dirt.
- 3.** Rinse with cold water and dry with a soft rag to take away the water.



When cleaning polycarbonate sheets never use abrasives or high-alkali cleaning compositions. Dry wiping of the surface can damage the protective layer and reduce its life cycle. Never use brushes, gauze fabric or other abrasive materials to wipe the surface of polycarbonate sheets.



By disinfection of the greenhouse from fungus and biological diseases pathogens do not use "sulphuric sticks"

Warranty responsibility

Warranty responsibility

1. The manufacturer shall be responsible for the complete set of parts for the greenhouse frame.
2. The manufacturer shall be responsible for assemblability of the greenhouse in accordance with the manual.
3. The manufacturer shall be responsible for the greenhouse endurance in the specified weather conditions.
4. Time period for making claims is 24 months after the day of purchase.

Warranty provisions

Warranty responsibility shall not cover the following cases:


1. Installation of the greenhouse in violation of the manual provisions.
2. Violation of operation rules.
3. Unintended use of the greenhouse.
4. Deformation of the greenhouse due to soil movement.
5. Floods, hurricanes and other natural disasters.

The manufacturer shall retain the right to make changes to the greenhouse design.

Installation manual for Greenhouse ARROW

introduction

1. General view of the frame is given in **Picture 1**. Parts should be installed in such a way that side selves of the profile are facing the surface cover. The frame is assembled of numbered parts.
2. Symbols:
→ -arrow shows the direction of installation as per schemes in the manual.
3. Parts are fastened by putting profiles together and fastening them with screws and nuts through the holes. When joining parts in “profile-to-profile” way it does not matter which of the joined parts is above.
4. When assembling be careful not to damage the parts as they do not have sufficient endurance before the whole structure is assembled. Use supports (e.g. chairs) at interim stages of assembly to make sure the frame is lifted steadily and evenly. To make sure holes coincide when assembling complicated joints, use a 5 mm thick nail or a cone-shaped hand-punch.

 Some parts may have spare holes which are there due to uniformity of parts.



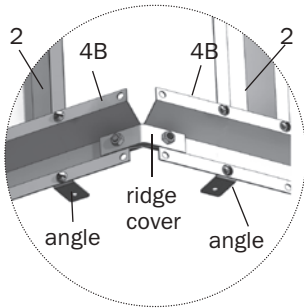
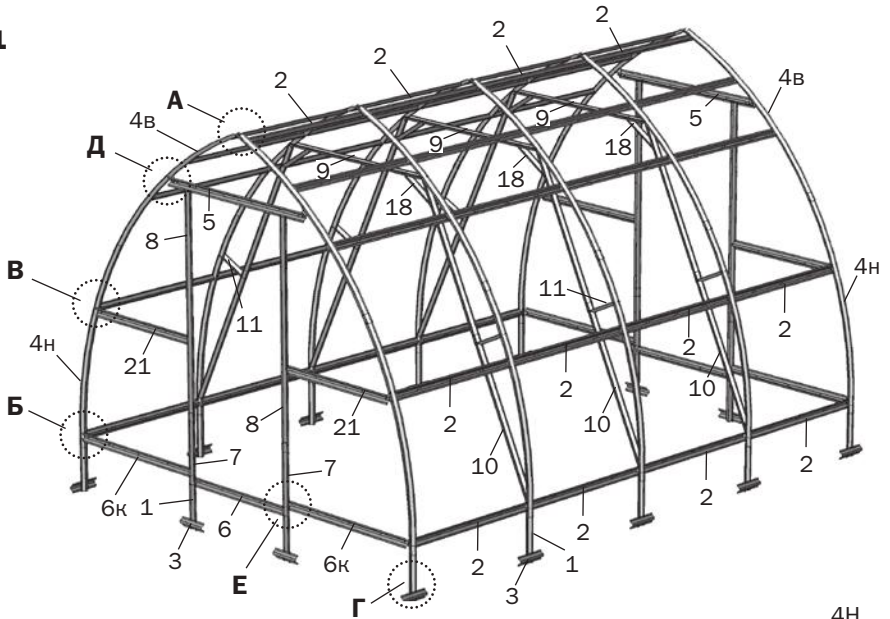
When assembling the frame parts should be joined through all holes as prescribed. A simplified fastening of parts with only one or two screws is the violation of assembly rules and the ground to relieve the manufacturer of the warranty responsibility.



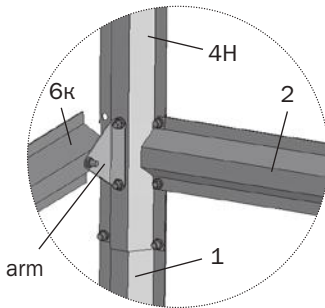
Be careful when assembling the greenhouse! Parts have sharp edges. Beware of cuts! Perform all works in protective gloves.

General view of Greenhouse ARROW frame

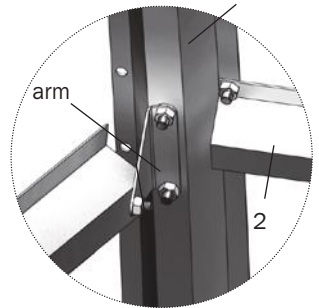
Pic. 1



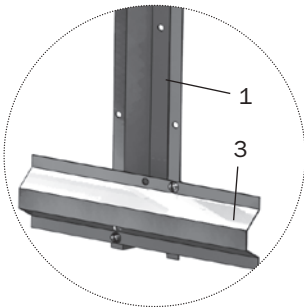
A (outside view)



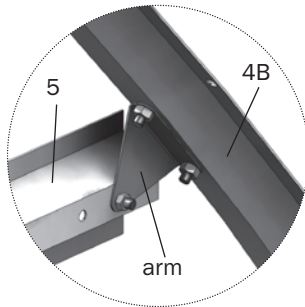
Б (inside view)



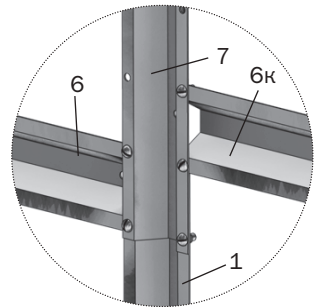
В (inside view)



Г (outside view)



Д (inside view)



Е (outside view)

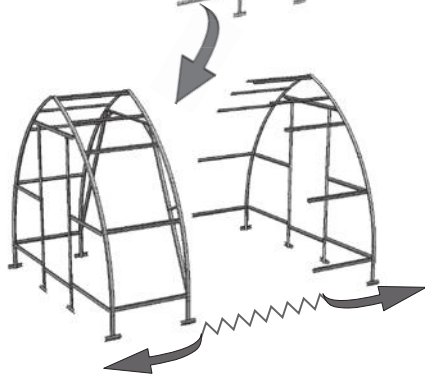
General view of Greenhouse ARROW frame



Pic. 2

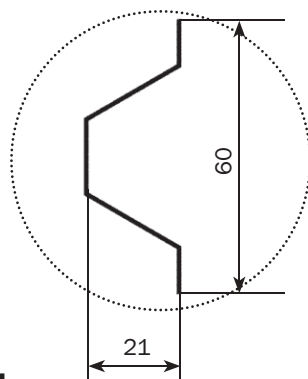
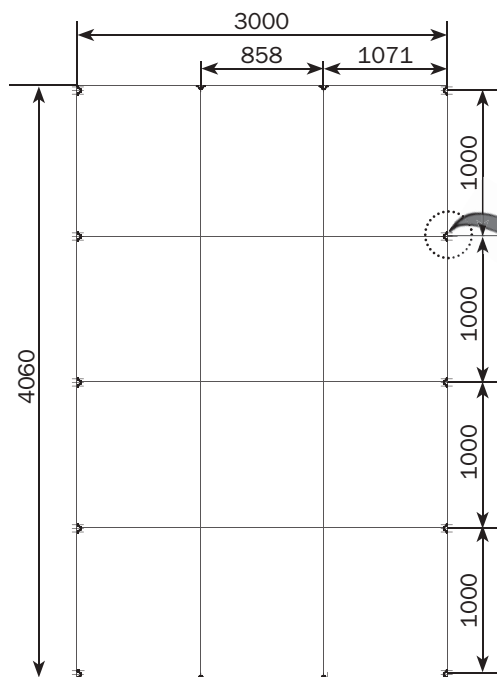
General view of insert for Greenhouse ARROW.

Each insert extends greenhouse length by 2 m.



Pic. 3

Greenhouse ARROW extended by any number of inserts.



Pic. 4

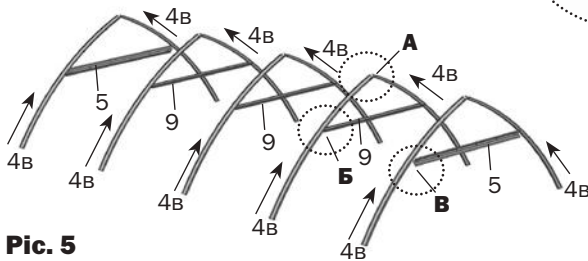
Greenhouse foundation support layout plan.

Installation sequence

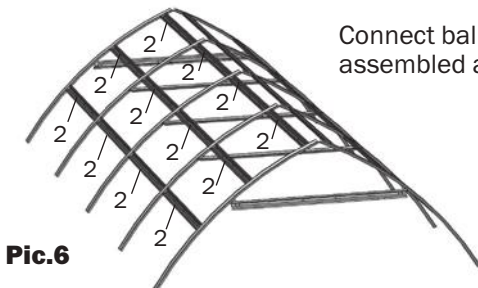
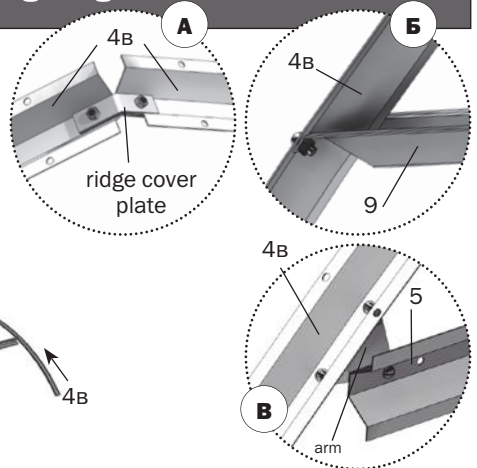
1. Perform the installation close to location of the greenhouse.
2. Install greenhouse in accordance with photographs of installation stages and units represented in **Pic. 5...12**. The figures show installation of greenhouse of 4 m length. Required length is reached using attachment of appropriate number of Insert packages. Use M5x10 screws for connection of elements.
3. Dig pits on the site selected for greenhouse installation at a depth of shovel blade according to **Pic. 4** Install frame into the pits. Check equality of frame diagonals using a cord. Total draft of greenhouse into the ground should be so that bottom elements 6 of door opening touch the ground. Check equality of the diagonals using a cord again and correct position of the frame angles.
4. Level the frame using filling or deepening of pits to make longitudinal elements straight, horizontal and parallel to each other and to make arcs even at side view. If arc planes require leveling, loosen connections of barks with arcs, complete leveling on the ground and tight screws again. Fill frame supports with soil after fastening bottom wire bandages on element 3 (**Pic.10**)

Assembling stages

Assemble arcs 4B in pairs using ridge cover plate and strainer 9. Connect end elements 5 to arcs 4B using arm.

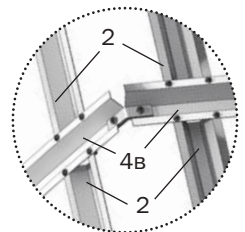


Pic. 5

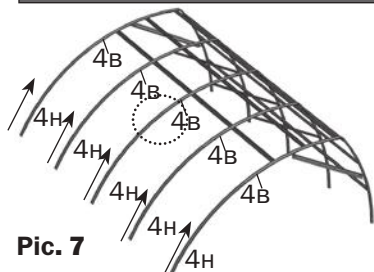


Pic.6

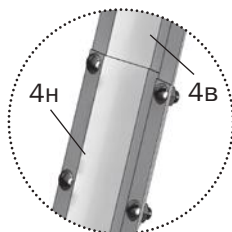
Connect barks 2 to assembled arcs.



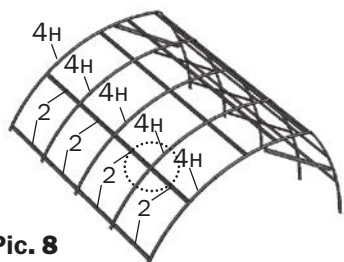
Assembling stages



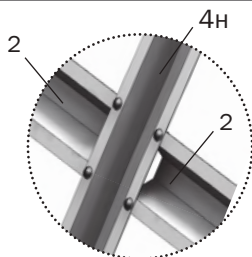
Pic. 7



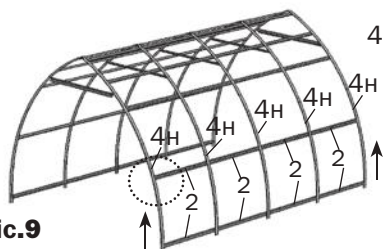
Connect arcs 4H to arcs 4B from one side of greenhouse.



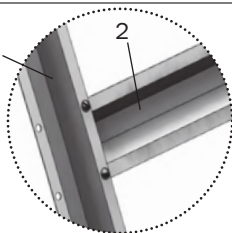
Pic. 8



Connect balks 2 to arcs 4H

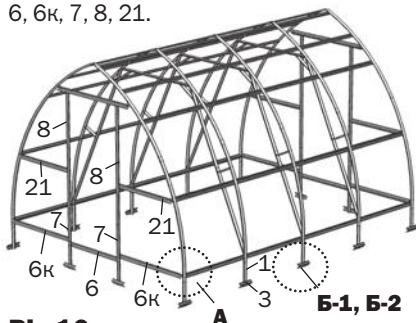


Pic.9

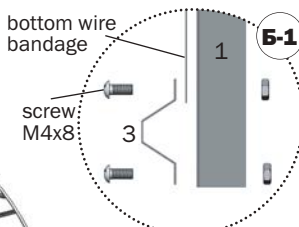


Connect arcs 4H and balks 2 from the other side of greenhouse in the same way.

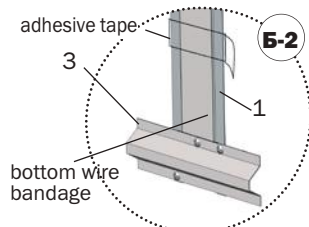
When installing the greenhouse through digging (without foundation), connect elements 1 and 3 to the frame. Fasten bottom wire bandage in free hole of element 3. Install end elements 6, 6к, 7, 8, 21.



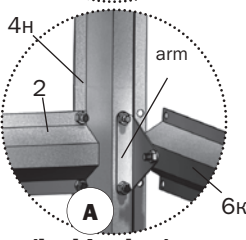
Pic.10



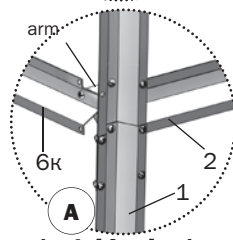
B-1



B-2



(inside view)



(outside view)

Assembling stages

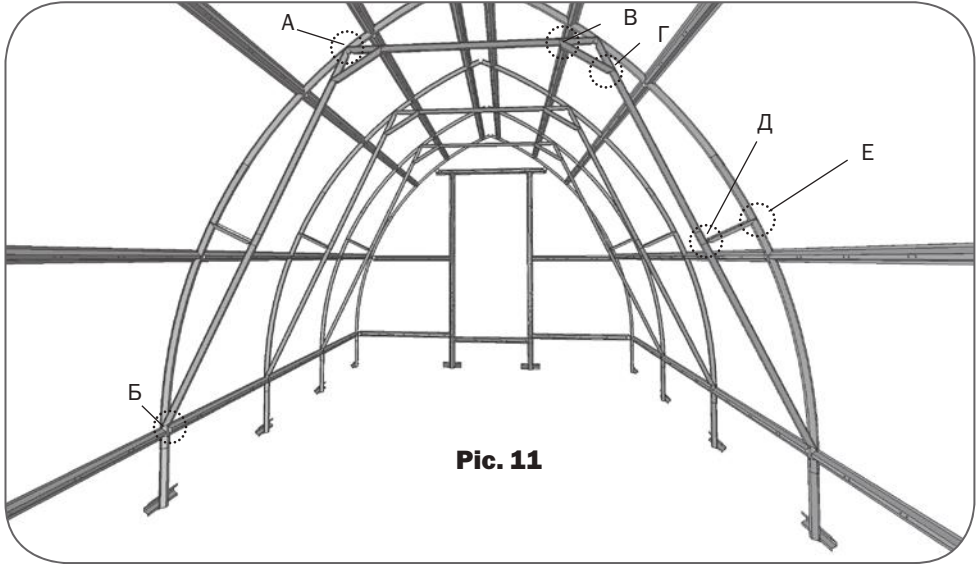
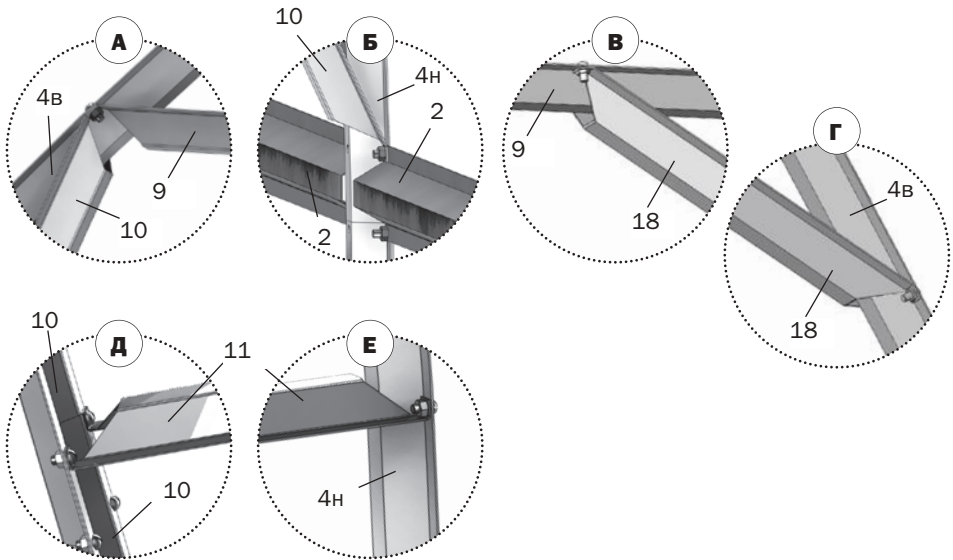


Fig. 11



Install side braces 10 on each arc inside of greenhouse frame. Assemble side brace assembled from two elements 10. Mount side brace liner 11 on the joint of elements 10 and connect it to arc 4Н.

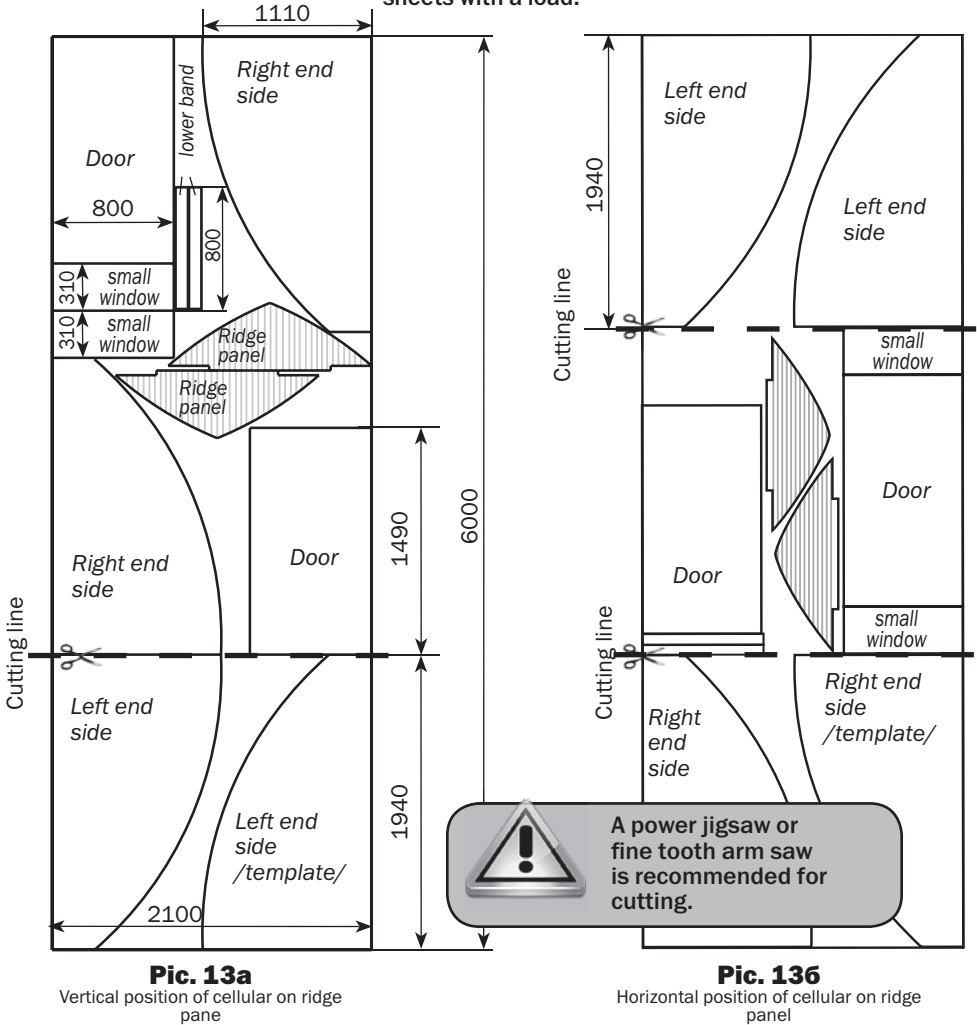
Cutting and fastening of coverage



CUT POLYCARBONATE SHEET STRICTLY IN ACCORDANCE WITH Pic. 13(a) or 13(б) and Pic. 14

2100 x 6000 mm cellular polycarbonate sheet

Warning! When cutting the surface cover in windy weather, fix the edges of polycarbonate sheets with a load.



1. Cut a sheet for end coverage. To do this, cut a piece from polycarbonate sheet (see cutting lines on **Pic.13a** or **Pic.13b**. To make a stencil of coverage, put the cut piece to assembled end of greenhouse and, without removal of protective film from polycarbonate, deposit stencil marking on the coverage sheet by elements 4H and 4B (with allowance **Pic.14** . κWhen marking a sheet, align its edge strictly with edges 14

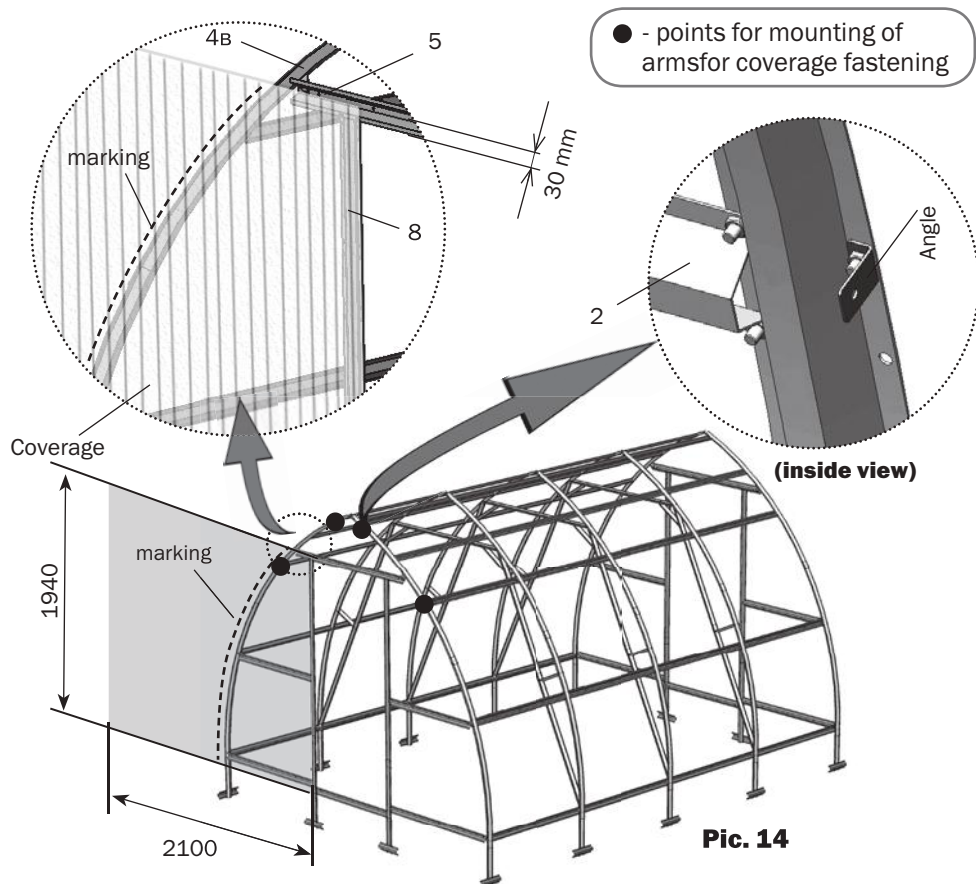
of elements 7 and 8, and top edge at 30 mm above bottom edge of element 5. Cut a stencil. Mark the rest of sheet using the stencil in accordance with cutting scheme (**Рис.13а или Рис 13б**).



Mount cellular polycarbonate strictly facing sun with a side having protective layer (by all means, clarify it under purchase or before mounting). Protective layer usually is on the side with inscriptions on transport film. On the other side of sheet film is clear. After marking the sheet but before its cutting make marks on protective side of each piece of sheet: after removal of transport film sheet sides have no visual differences. Transport film is removed from both sides immediately before fastening coverage on the frame.



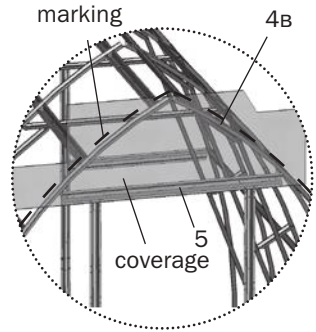
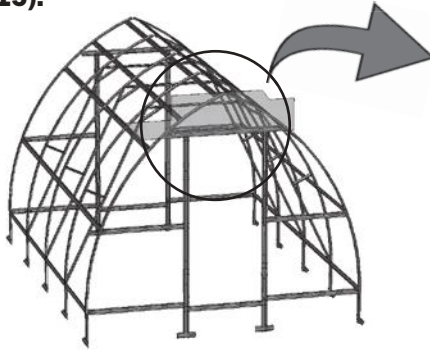
Attention! Coverage sheet side edge is aligned by elements 7, 8, and top edge on 30 mm above bottom edge of element 5. Mark by elements 4a and 4b with allowance.



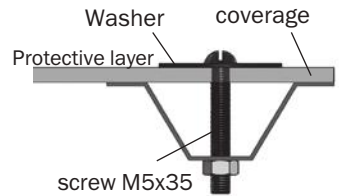
Cutting and fastening of coverage

2. Cut ridge coverage pieces located above the door at the place of installation from remaining pieces. Mark marking 4B coverage by elements 4B with allowance aligning bottom edge of the sheet with bottom edge of element 5 (**Pic.15**).

Pic. 15



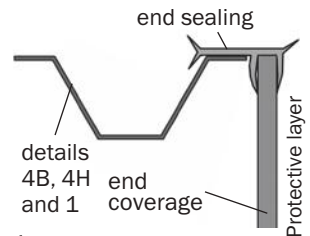
3. Mount side pieces of coverage in accordance with **Pic.16**. Holding a piece of coverage, fasten it with screws and washers by elements 6к, 7, 8б 21 and by angles using tap screws with washers. Holes for screws are drilled by boring bit of 5 mm diameter from inside of greenhouse through holes in frame elements. Mount top pieces of coverage fastening them on angles with washers and tap screws. Cut overlapping with side pieces.



Pic.16

4. Even coverage pieces by arcs 4H and 4B using a knife and mount sealing profile in accordance with **Pic.17**.

5. Fasten pieces of coverage on door with washers (**Pic.18,19**) Fasten pieces of coverage on door with washers (**Pic.23**), closing cellular beforehand (with adhesive tape). Mount sealing profiles along the door contour in accordance with **Pic. 19,21,22**.

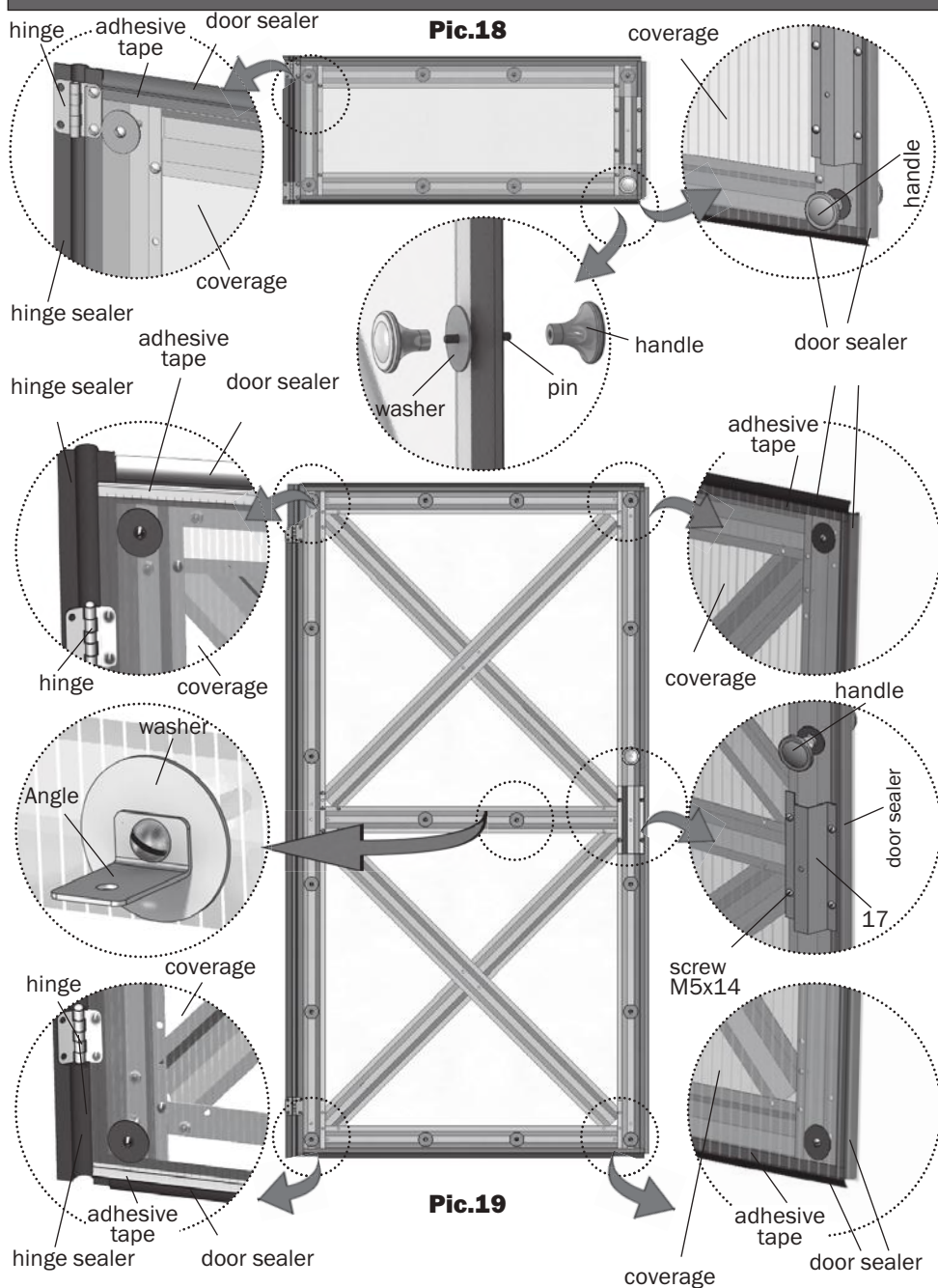


Pic.17



Avoid over-tightening screws that fasten the polycarbonate in order not to damage the polycarbonate sheet and destroy its structure.

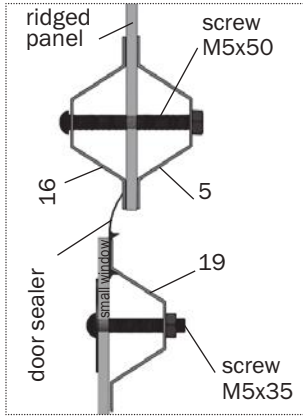
Cutting and fastening of coverage



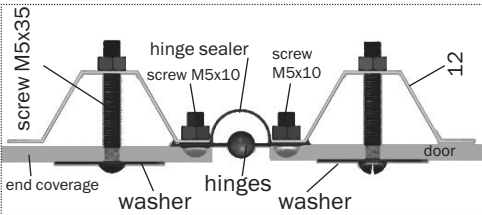
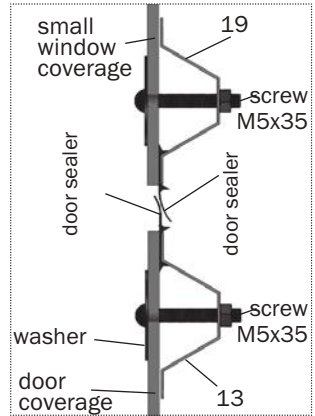
Cutting and fastening of coverage

6. Mount end cover plate 16 on end coverage and fasten it on element 5 through coverage (**Pic.20 and Pic.24**). Joint of end coverage pieces is under element 16.

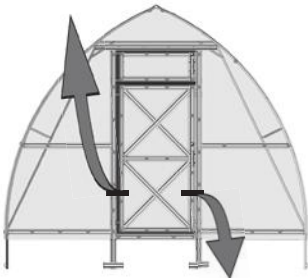
Pic.20



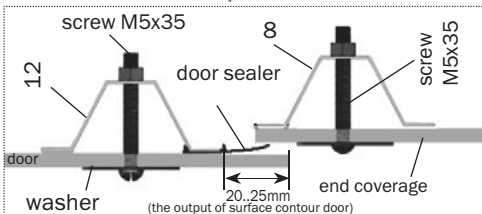
Pic.21



Pic.22



Pic.23

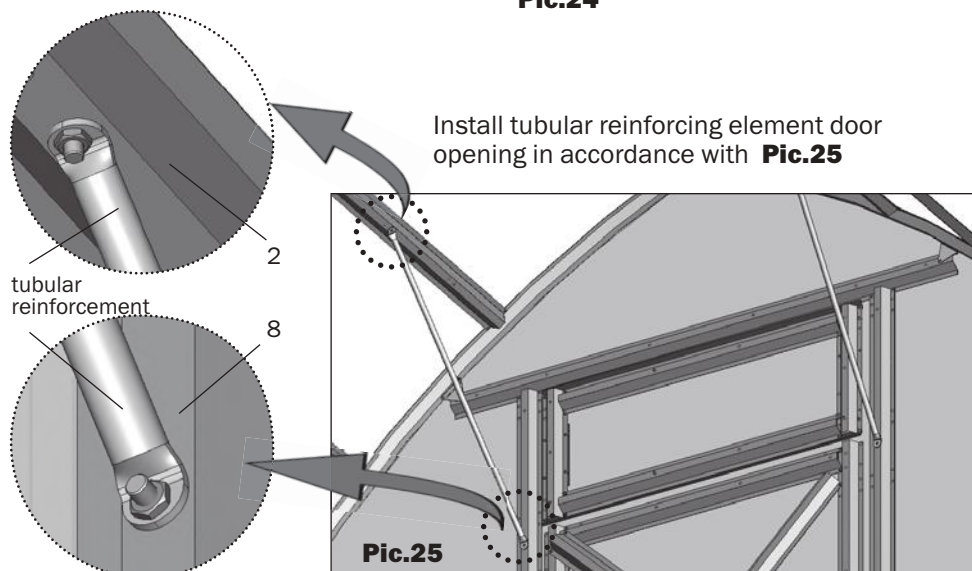
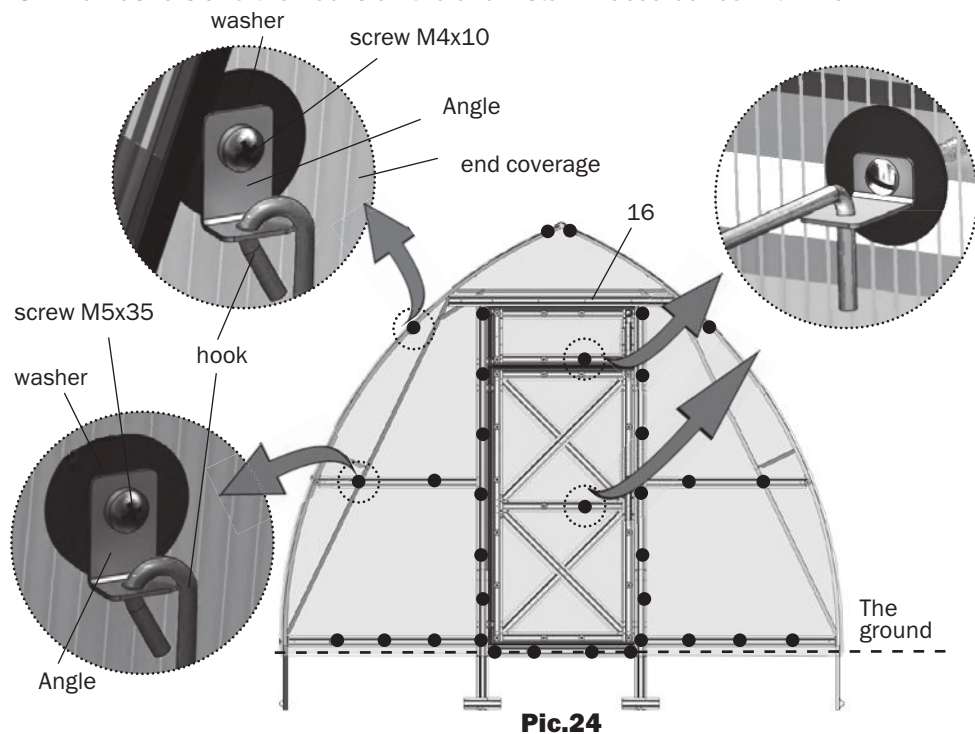


7. Install assembled doors and small windows on ends mounting sealer in accordance with **Pic.22**.

When mounting small windows, prevent its further slackening. When tightening the screws, lift the opposite end of small window to remove screw gaps in the holes.

Cutting and fastening of coverage

8. The washers and the hooks on the end install in accordance with **Pic.24**.

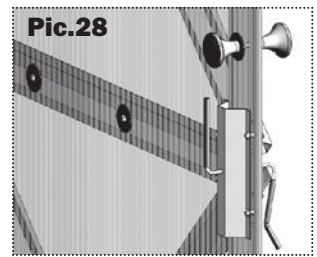
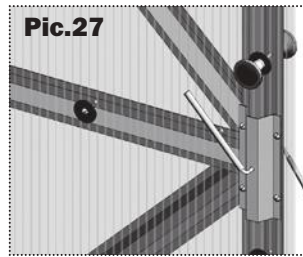
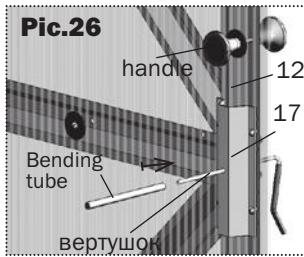


Cutting and fastening of coverage

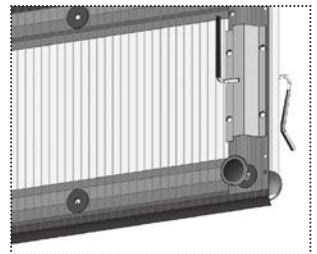
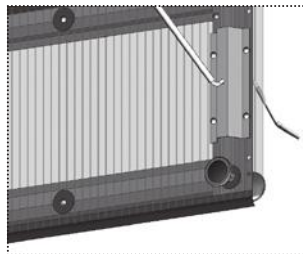
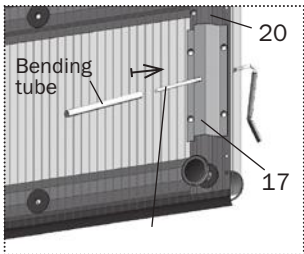
9. Insert wire rotator for door closing in free holes (against the stop) through elements 12 and 17 by straight end from inside (**Pic. 26**). In this position, use the tube to bend linear part by hand

into opposite outside of the greenhouse direction (**Pic. 27**). Set elastic header on the rotator (**Pic. 28**). This construction allows to push the door in the closed position, being

both outside and inside the greenhouse.

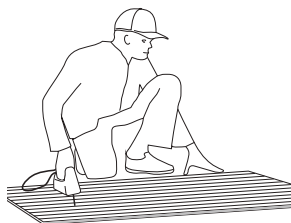


10. Wire rotator for small window locking is mounted like a door rotator.

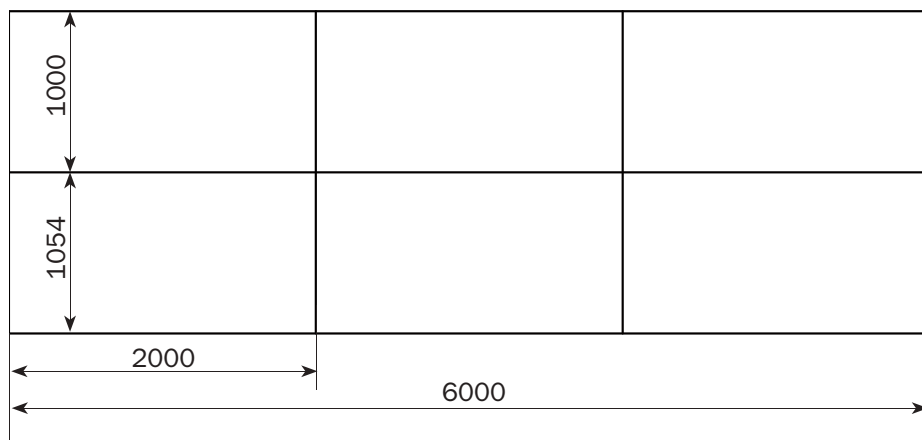
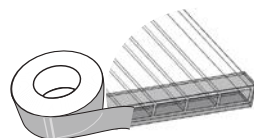


Cutting and fastening of coverage

11. Cellular polycarbonate shall be installed strictly defined side out (towards the sun), which has a protective layer. The protective layer is usually at the side with the inscriptions on the transport film. The film on the other side of sheet is transparent. After marking the sheet, but prior to its cutting, make a mark on the protected side of the sheet for each piece: after removal of the transport film sheet sides are not visually different. The transport film is stripped from both sides immediately before fixing the cladding on the frame.



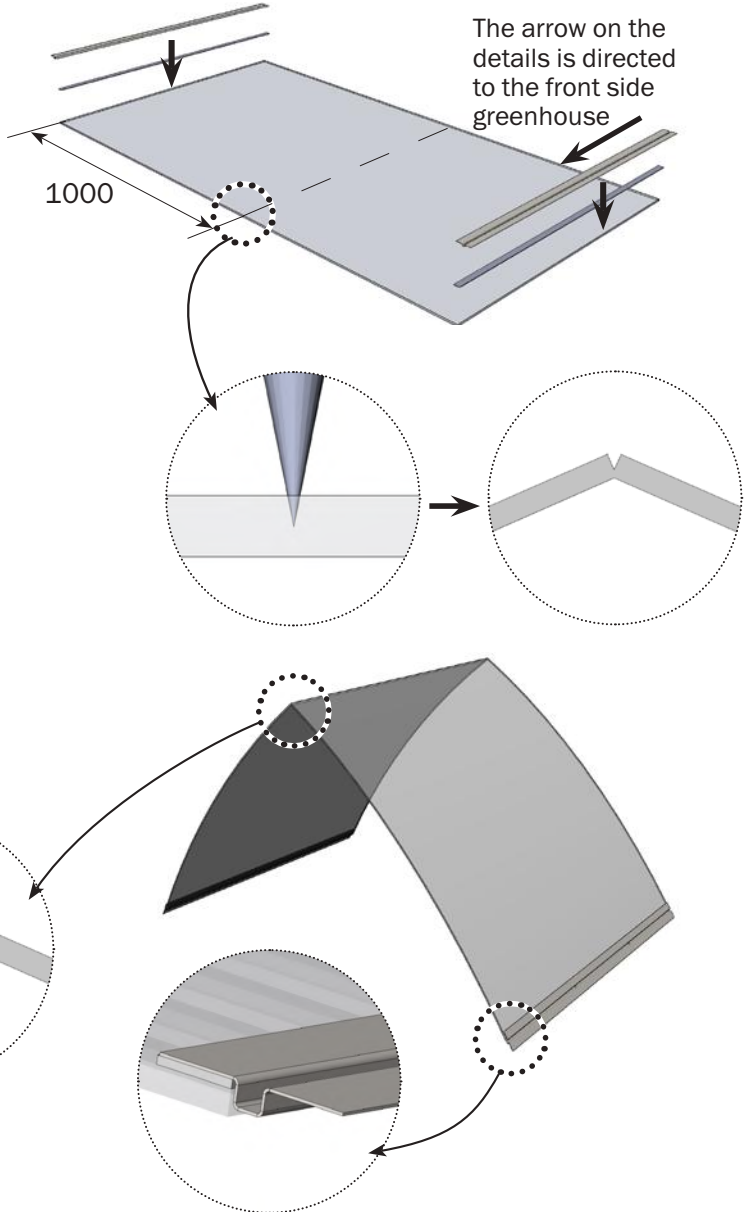
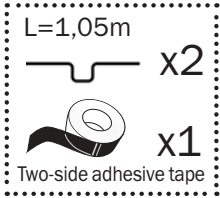
Sections of polycarbonate with open honeycombs should be covered by adhesive tape.



Cutting and fastening of coverage

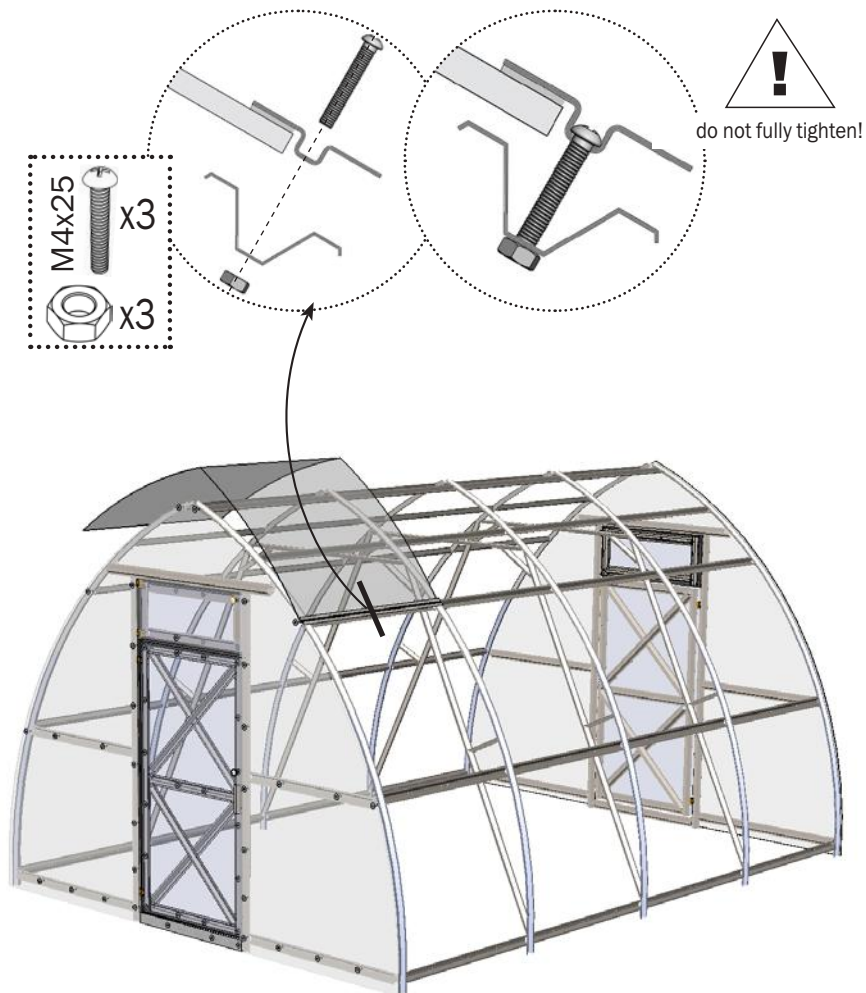


Before coating it is necessary to cut the outer surface of the upper polycarbonate sheet for bending on the ridge (middle of sheet)!



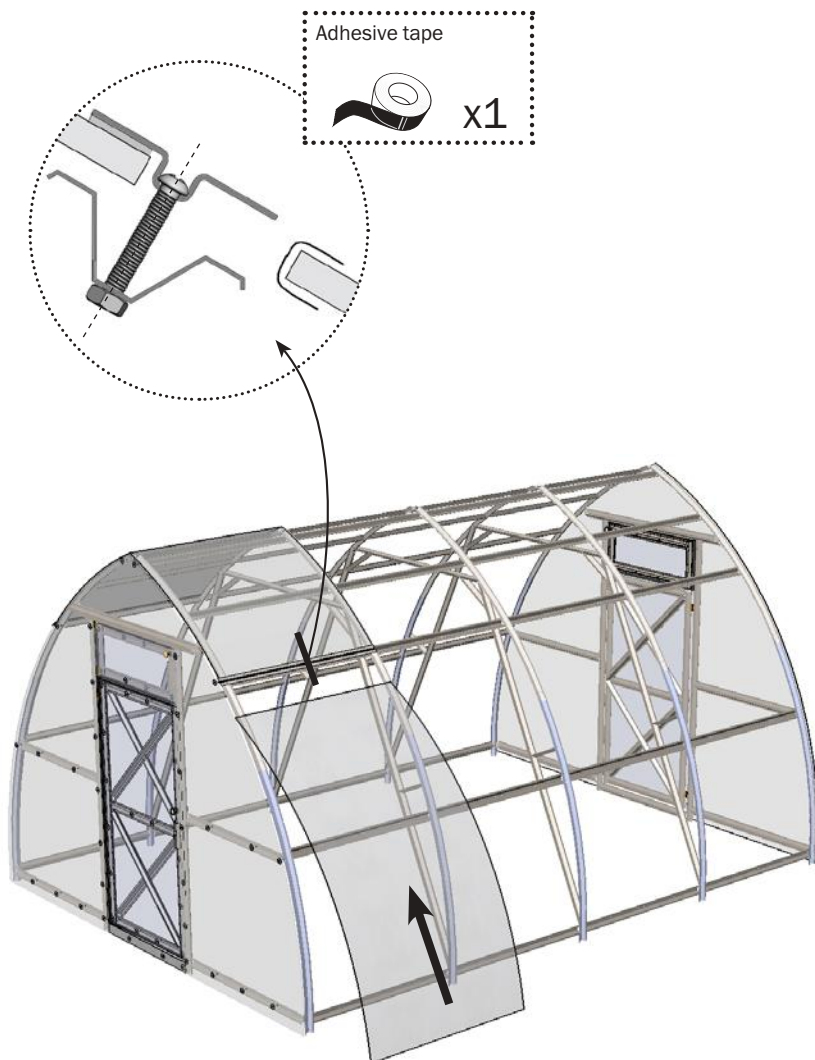
Cutting and fastening of coverage

12.

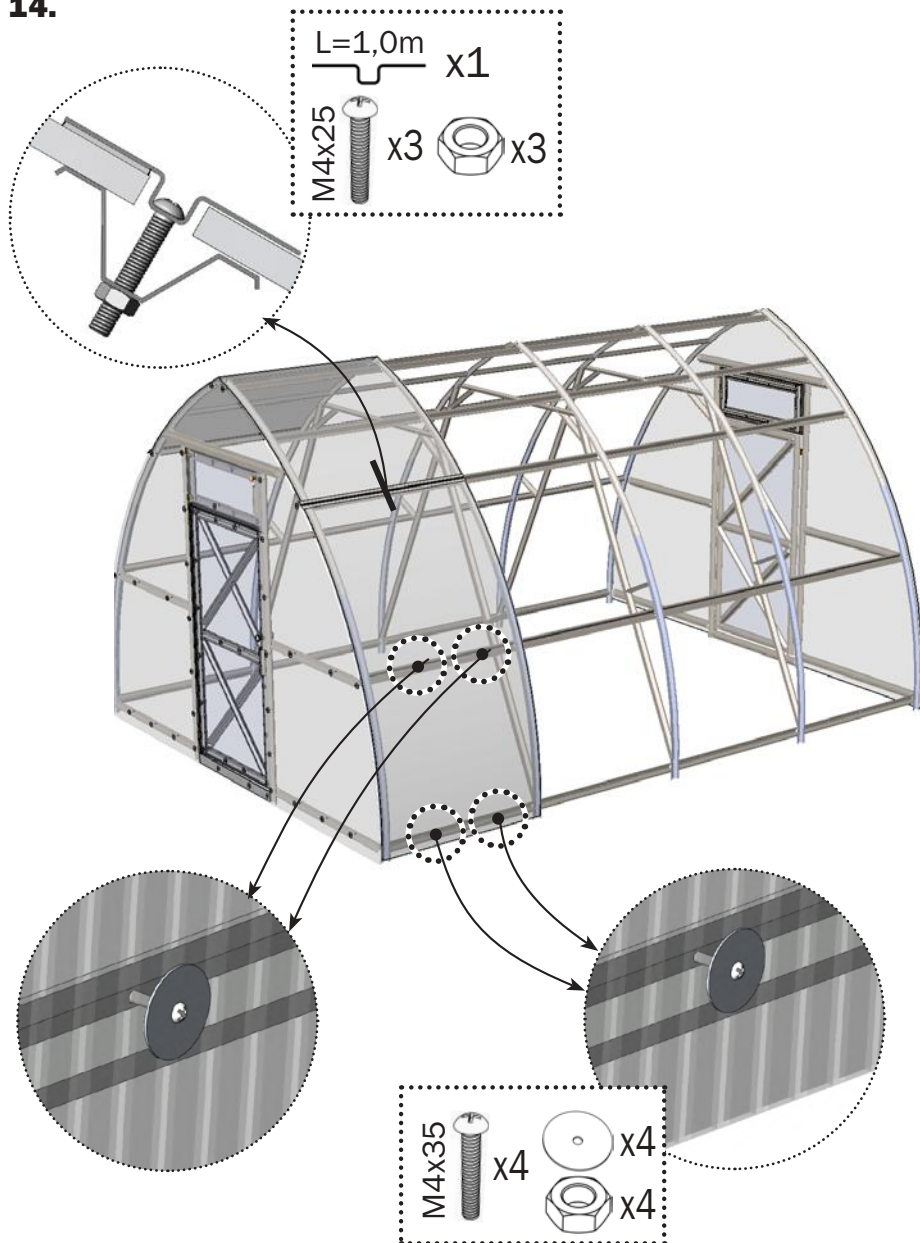


Cutting and fastening of coverage

13.

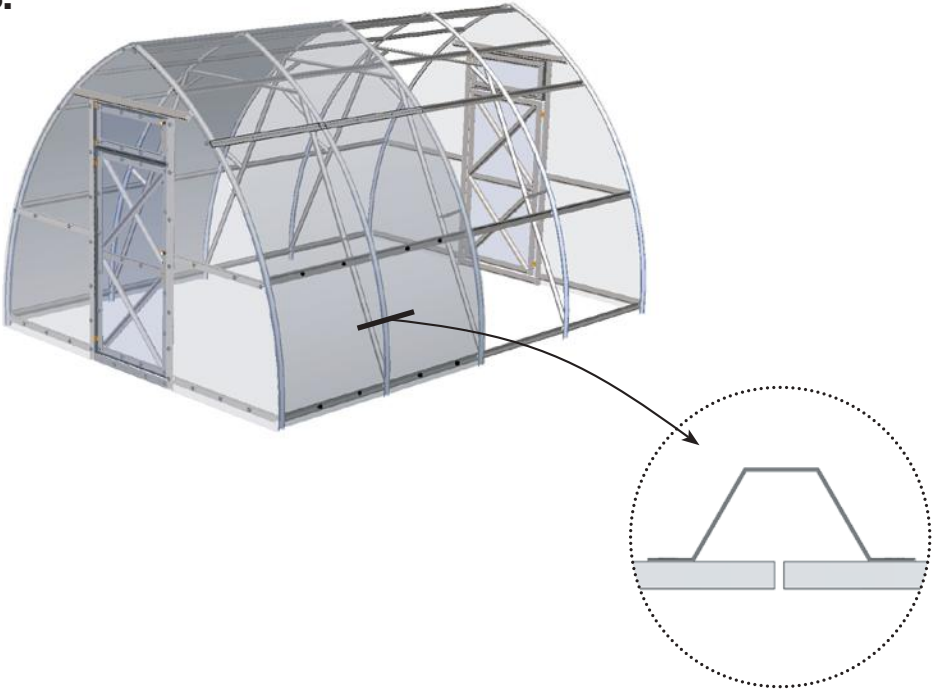


Cutting and fastening of coverage

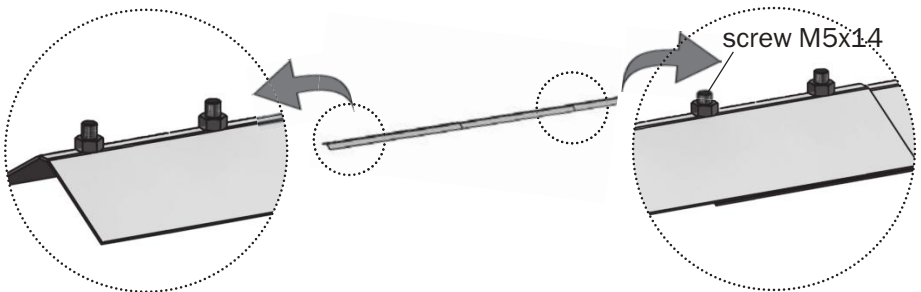
14.

Cutting and fastening of coverage

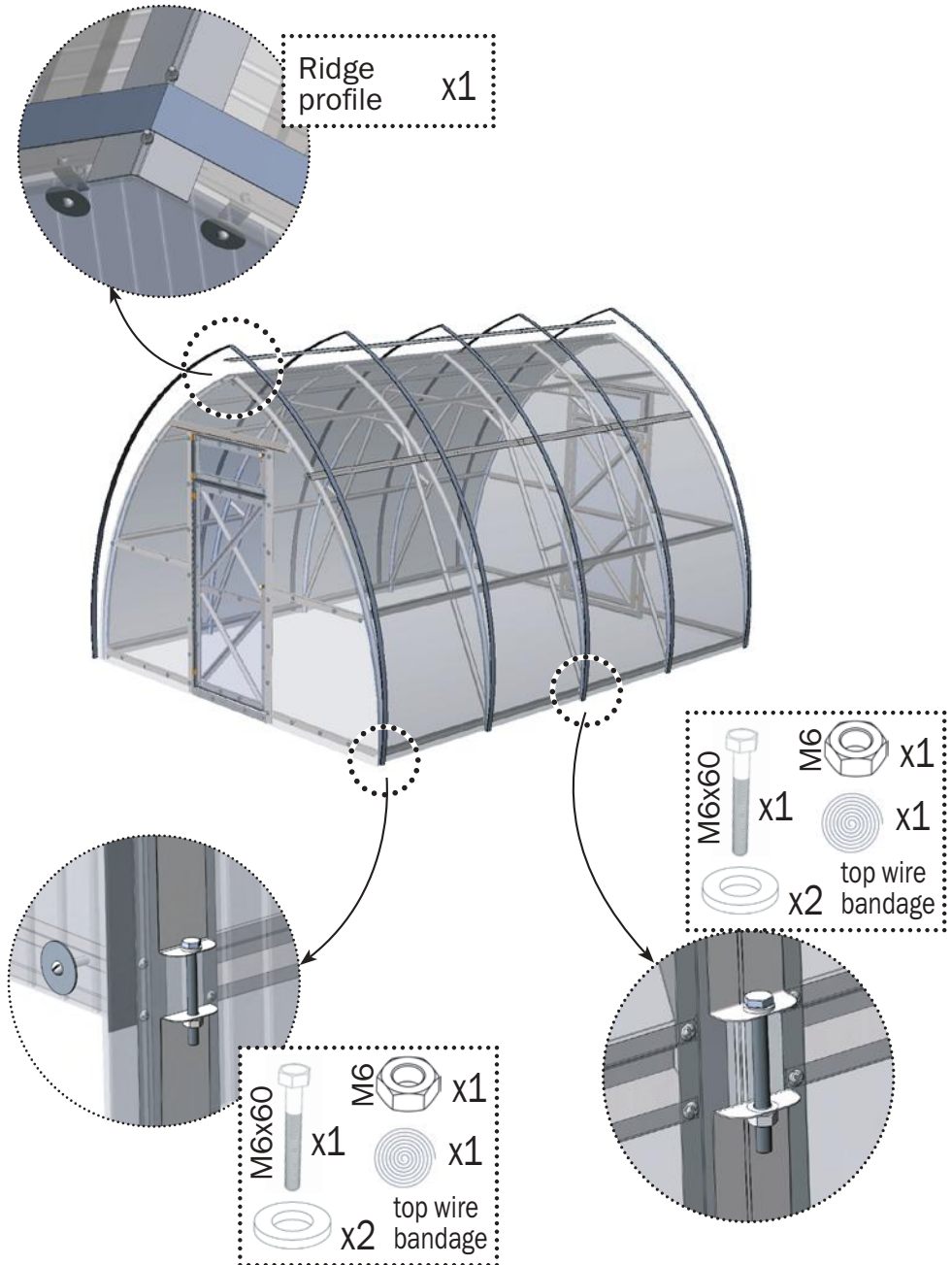
15.



16. Details of ridge profile are joined in the length with the installation of the threaded end of the screws out.



Cutting and fastening of coverage



DANCOVER[®]

.com

Contact information

Head office:

Dancover A/S
Nordre Strandvej 119 G
3150 Hellebæk
Denmark

For more information
please visit:
www.dancovershop.com

National contact

Denmark: 70 26 76 20
denmark@dancover.com

UK: 020 8099 7570
uk@dancover.com

Germany: 041 0266 7040
germany@dancover.com

France: 0975 181 800
france@dancover.com

Sweden: 040 233 262
sverige@dancover.com

Finland: 0 931 581 720
suomi@dancover.com

Poland: 22 300 8602
polska@dancover.com

Luxembourg: +49 041 0266 7040
luxembourg@dancover.com

Portugal: 308 800 899
portugal@dancover.com

Spain: 911 436 828
espana@dancover.com

Italy: 02 479 21 198
italia@dancover.com

Switzerland: 0840 000125
schweiz@dancover.com

Austria: 0662 626935
austria@dancover.com

Norway: 231 00 690
norge@dancover.com

Nederland: 0 858 880 524
nederland@dancover.com

Ireland: 0 151 33 003
ireland@dancover.com

Belgium: 0 28 08 08 09
belgique@dancover.com