

DANCOVER[®]

.com

Manual
for
Carport Boston
3,02x5,08m



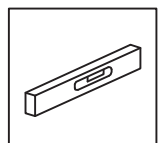
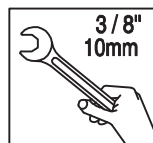
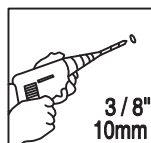
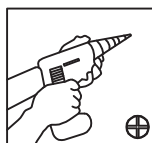
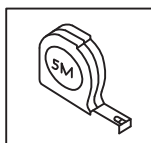
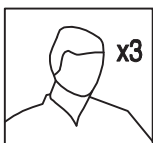
80 km/h



90 kg/m²

Carport

Owner's Manual/ Instructions for Assembly



Assembly Preparation

Owner's Manual

Please check local building codes regarding footings, location and other requirements before beginning construction. Study and understand this owner's manual of important information and helpful tips for easier and more enjoyable assembly.

Assembly Instructions:

Reviewing the instructions before you begin, make sure following the step sequences carefully for successful results.

Parts and Parts List:

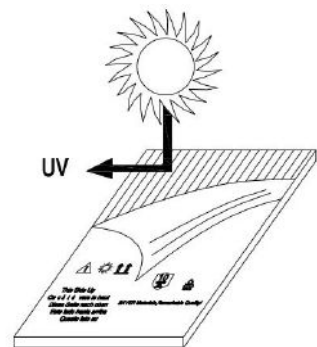
Check to be sure that you have all the necessary parts.

Safety must be put in the No. 1 position:

1. Select a dry and calm day for your assembly. Do not attempt to assemble the carport if you are tired, have taken drugs, medications or alcohol, or if you are prone to dizzy spells.
2. Team works (three or more people) are required during the assembly.
3. Wearing safety gloves, shoes, eye protection and long sleeves during the assembly to prevent injury. Pay attention to the sharp edge of some parts.
4. Children and pets are not allowed entering into the construction site. Dispose of all plastic bags safely - keep them out of reach of small children.
5. When using a stepladder or power tools, ensure that you follow the manufacturer's safety advice.
6. Never concentrate your total weight on the roof. Do not climb or stand on the roof.
7. Heavy amounts of snow on roof can damage the carport making it unsafe to stand below or nearby.
8. Heavy articles should not be leaned against the poles.
9. This product was designed to be used mainly as a carport.

Care & Maintenance:

1. PC panels: Expose only the printed masking side to sunlight--this side is UV protected.
2. Keep roof and gutters clean of snow, dirt & leaves.
3. When cleaning, use a mild detergent solution and rinse with cold clean water.
Do not use acetone, abrasive cleaners, or other special detergents to clean the panel.



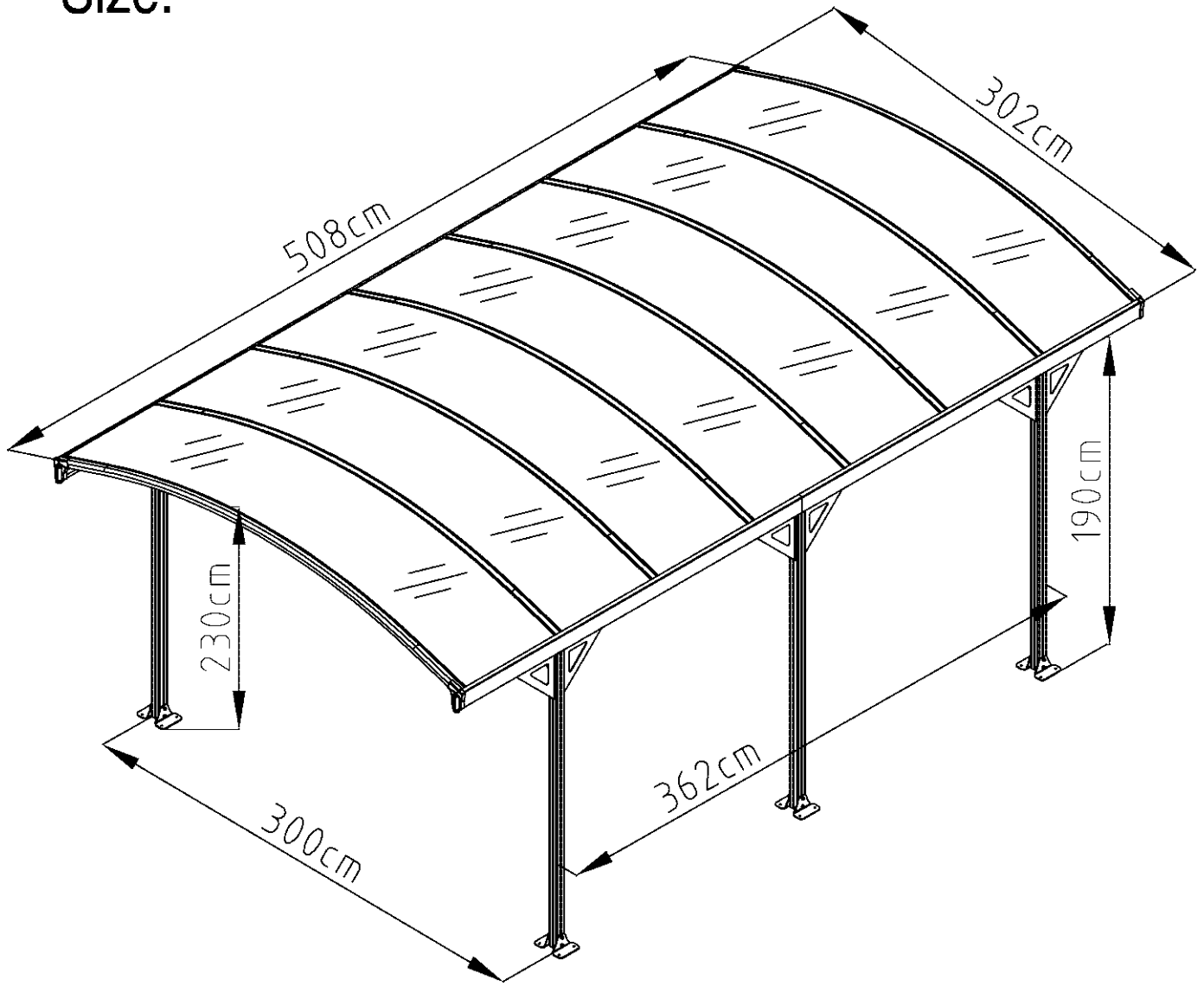
Before Assembly:

This carport must be assembled on a solid base (such as concrete or asphalt).

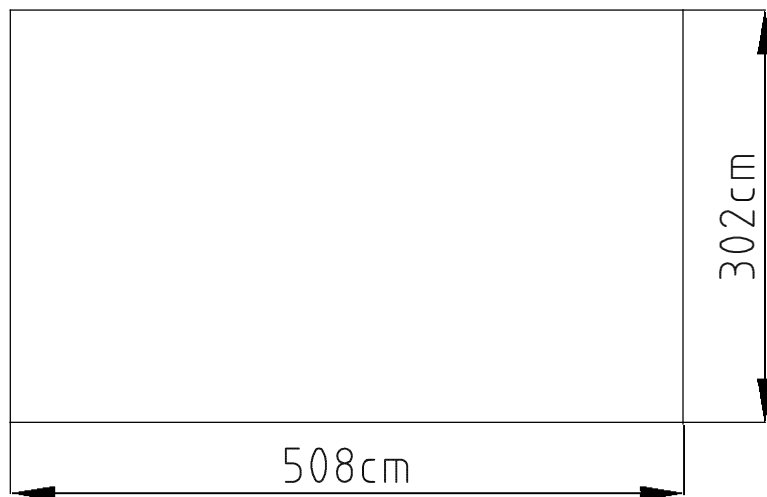
The bases surface below the poles needs to be level.

During assembly use a soft platform below the parts to avoid scratches and damages.

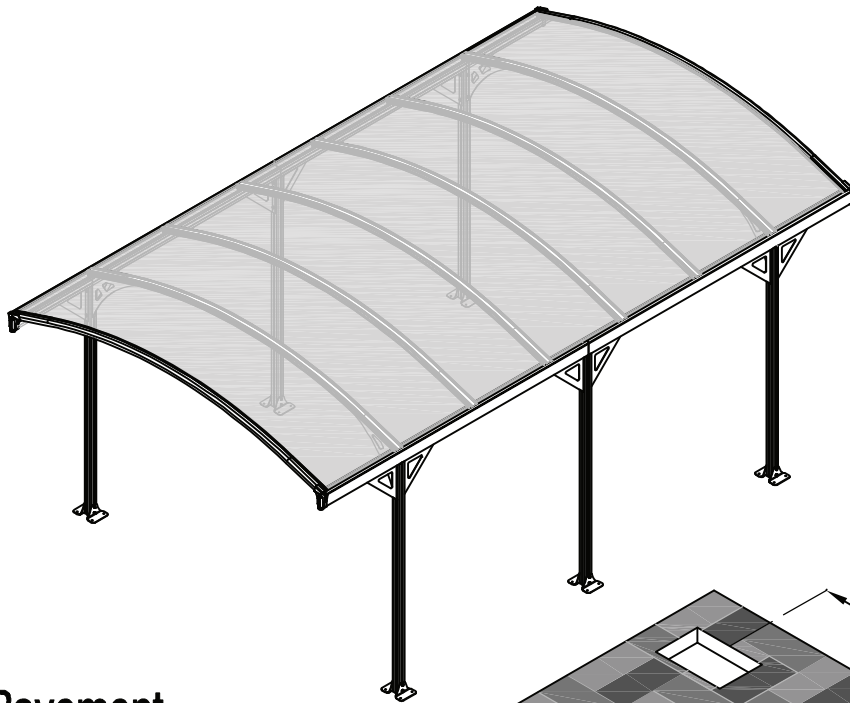
Size:



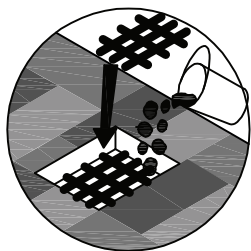
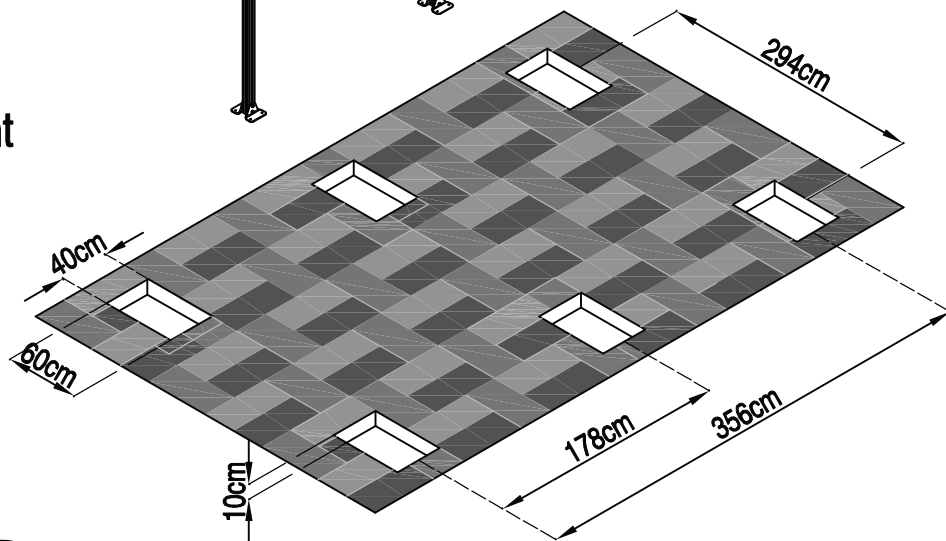
Area of installation requirement:



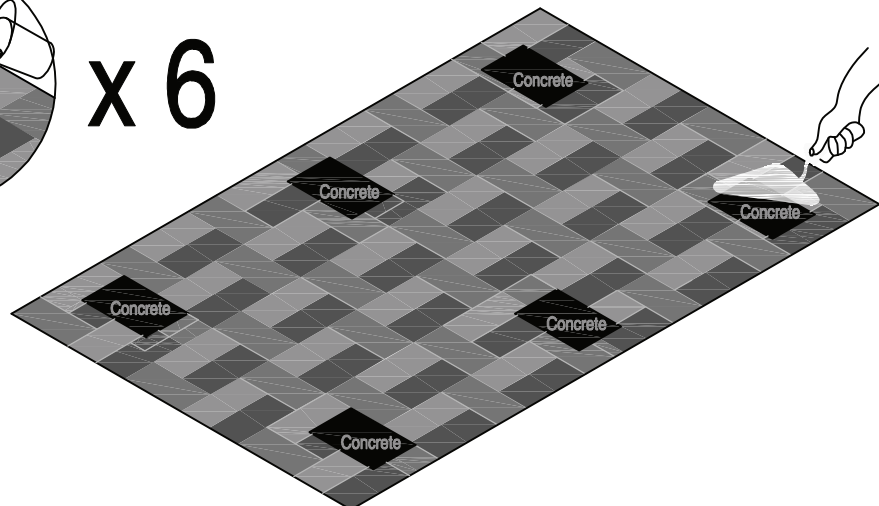
This carport should be assembled on a solid base (such as concrete). Without solid base, pre-foundation, that includes concrete and metal, is needed as in following drawings.



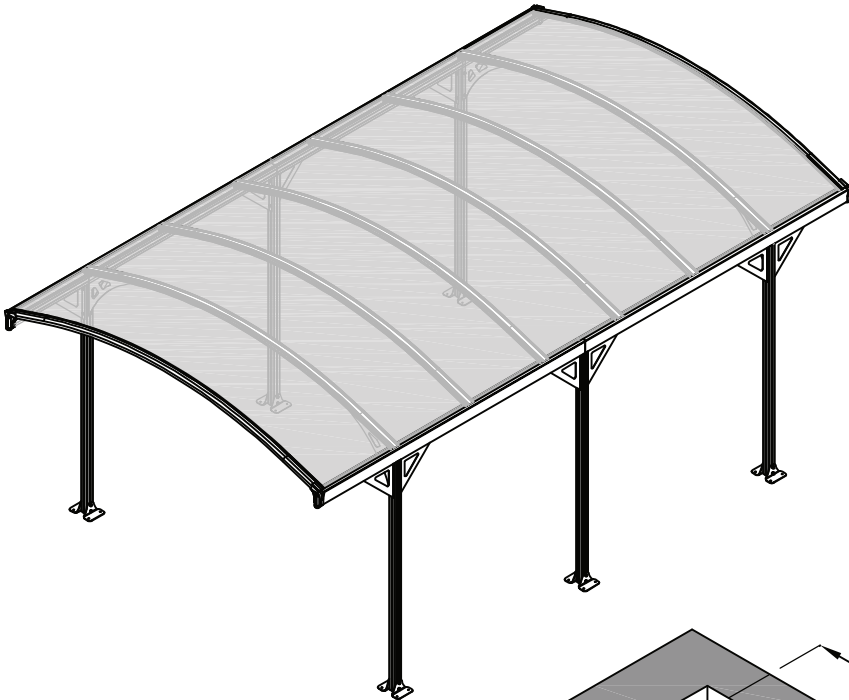
Pavement
stone



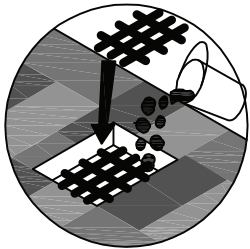
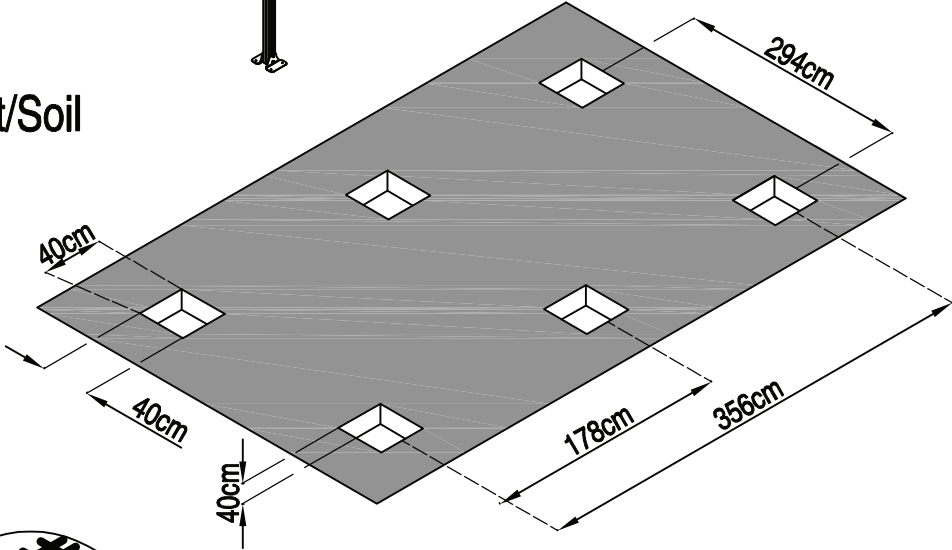
x 6



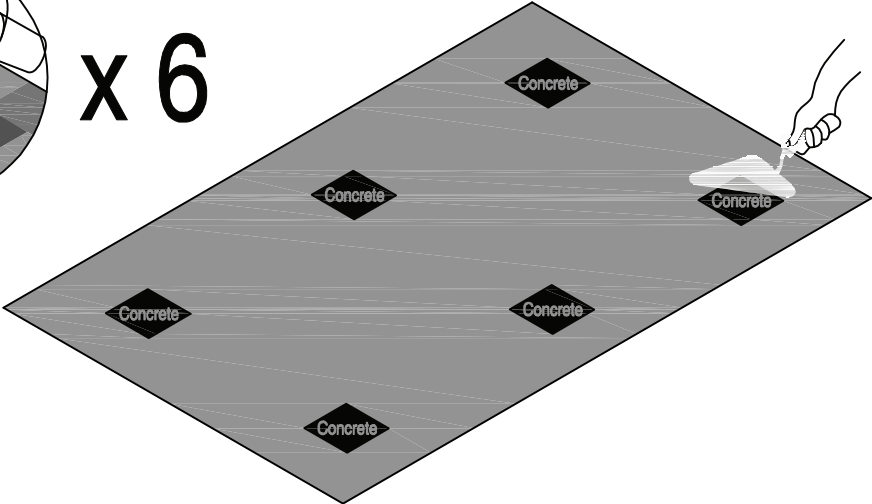
OR

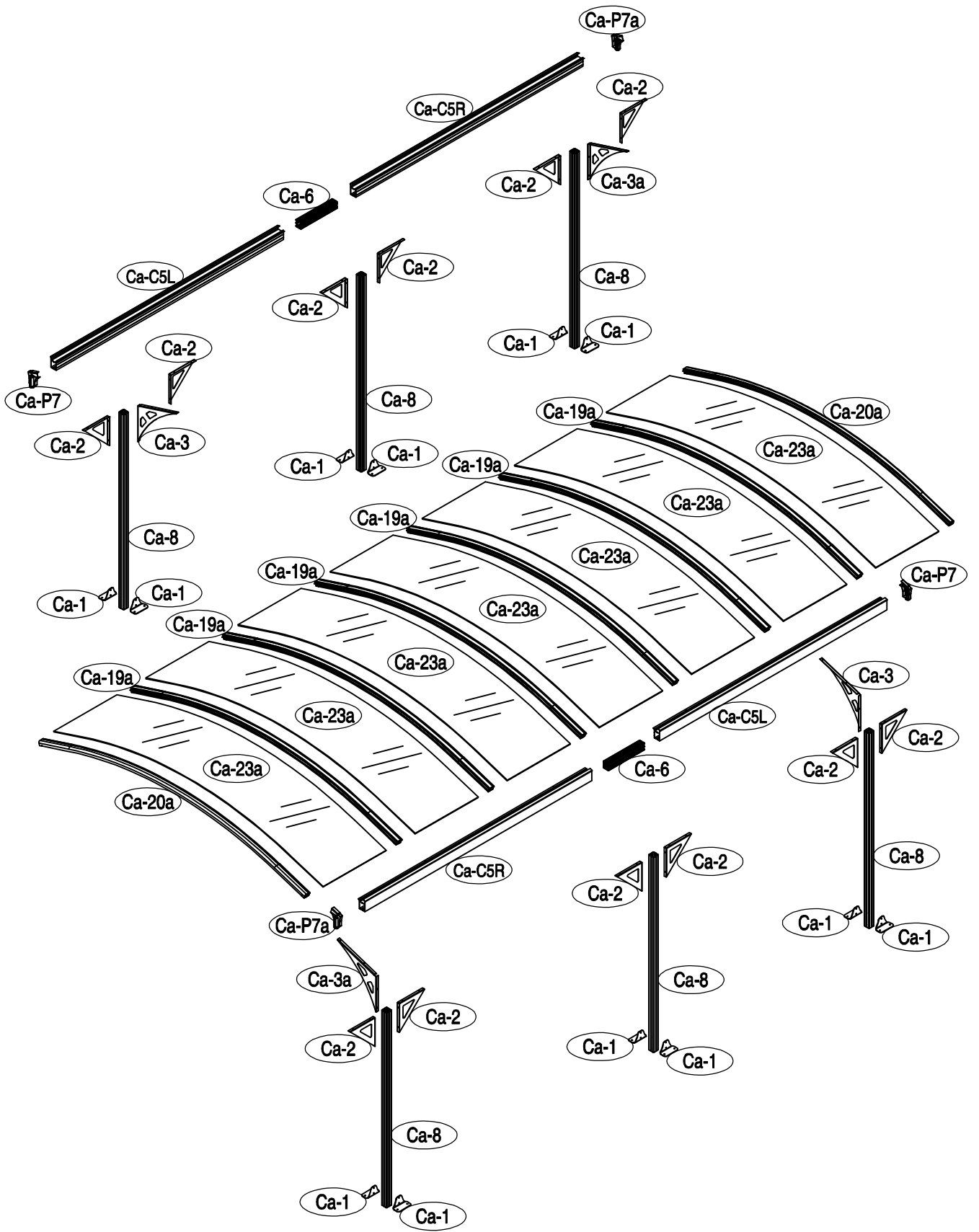


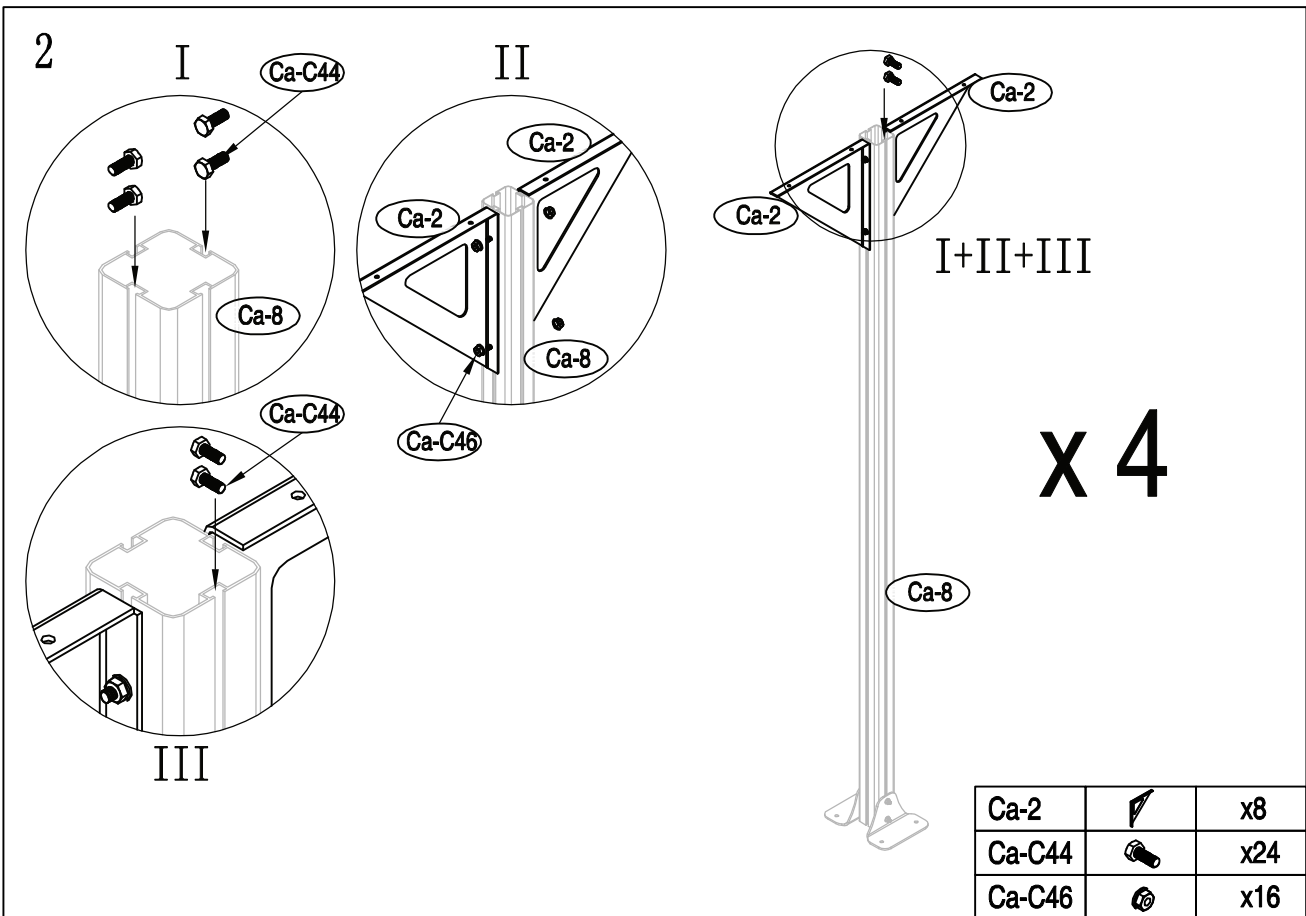
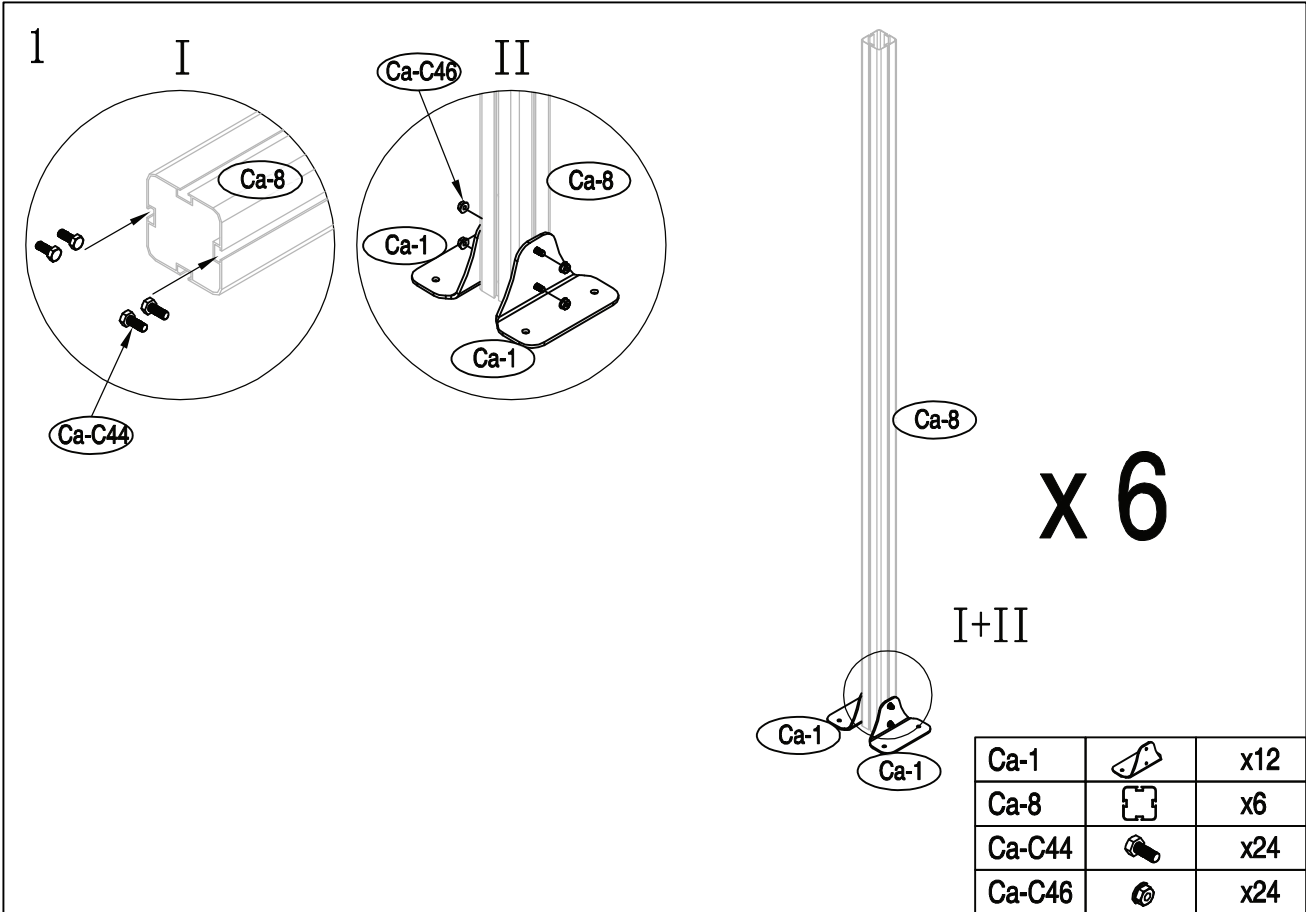
Asphalt/Soil

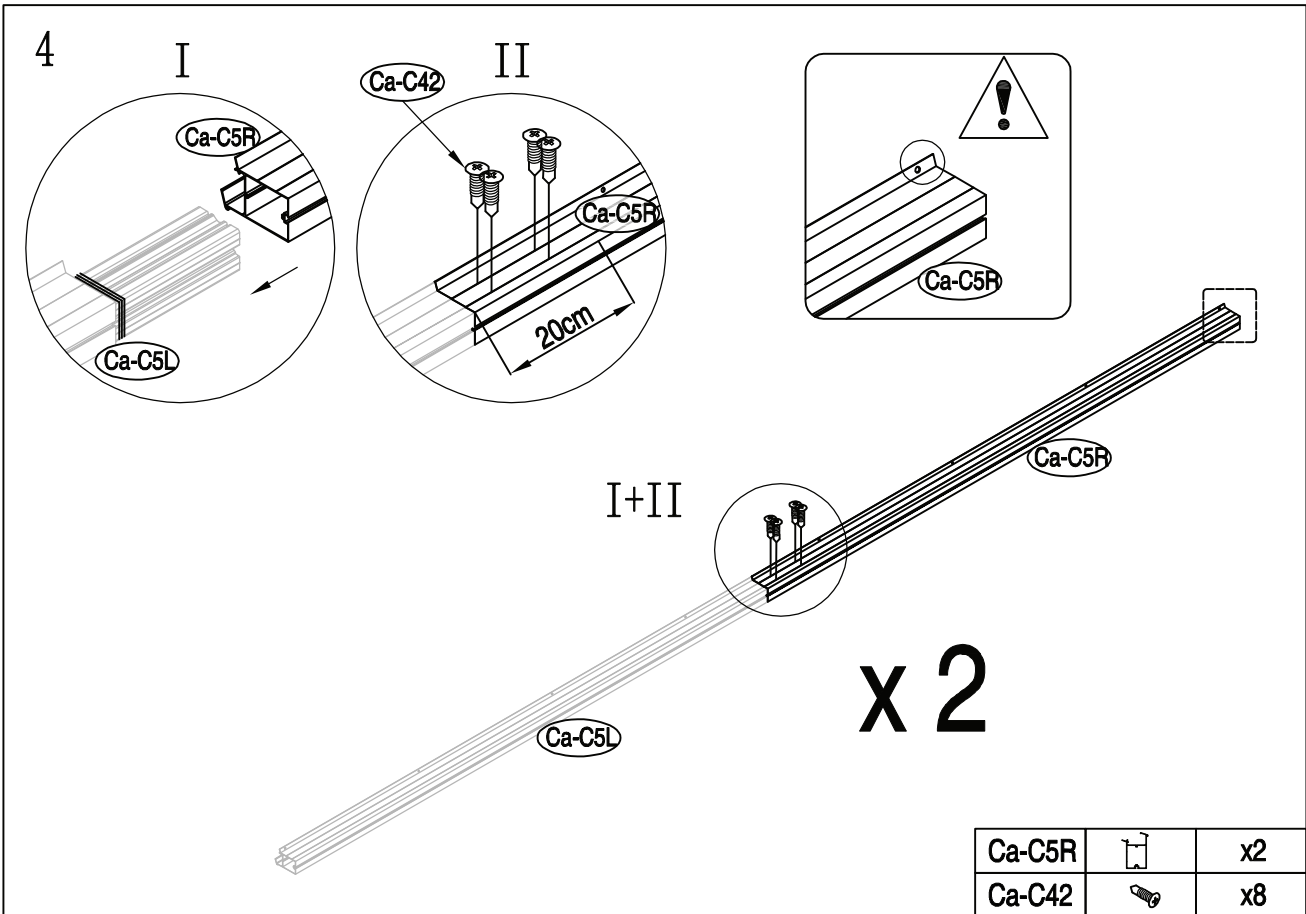
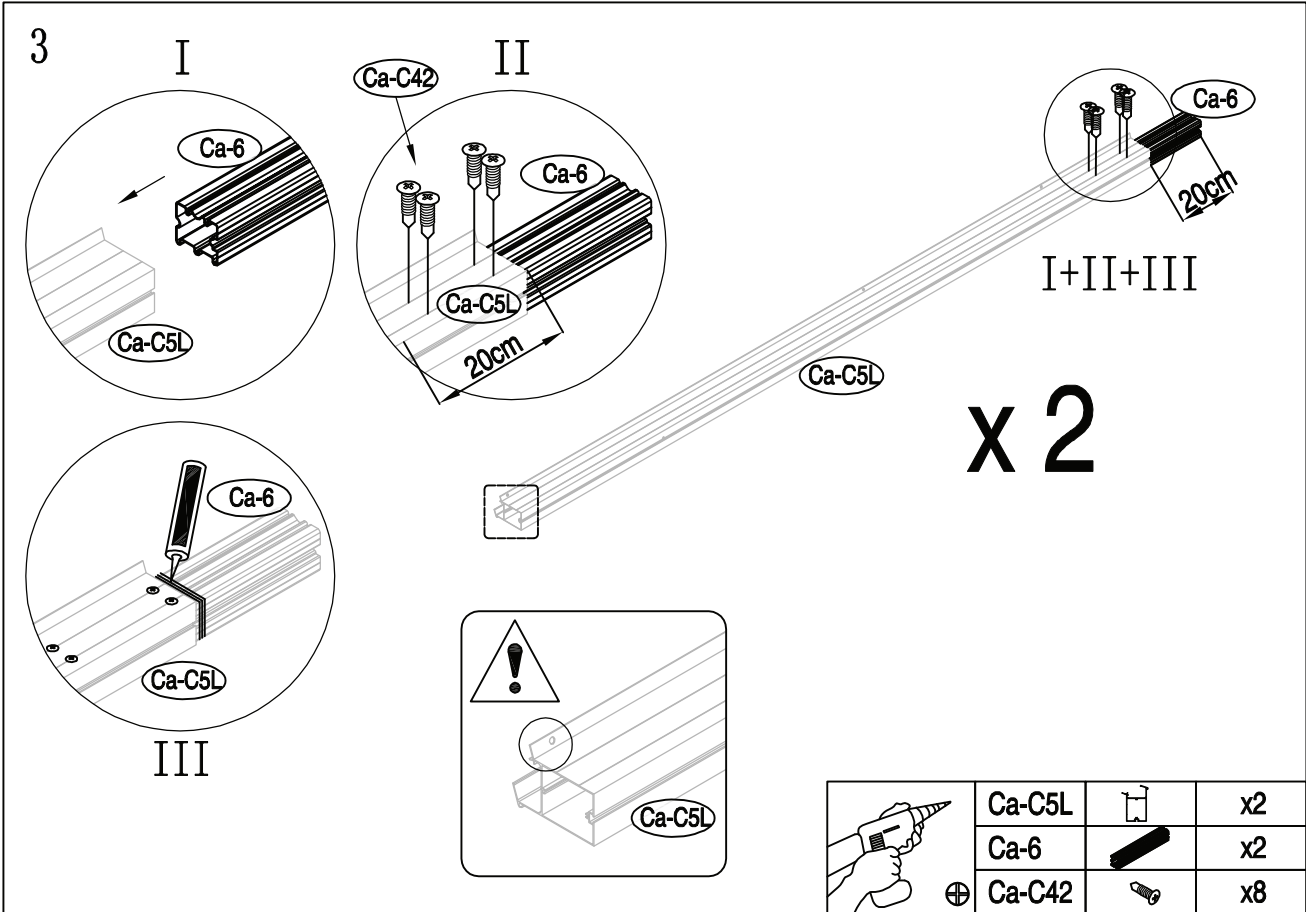


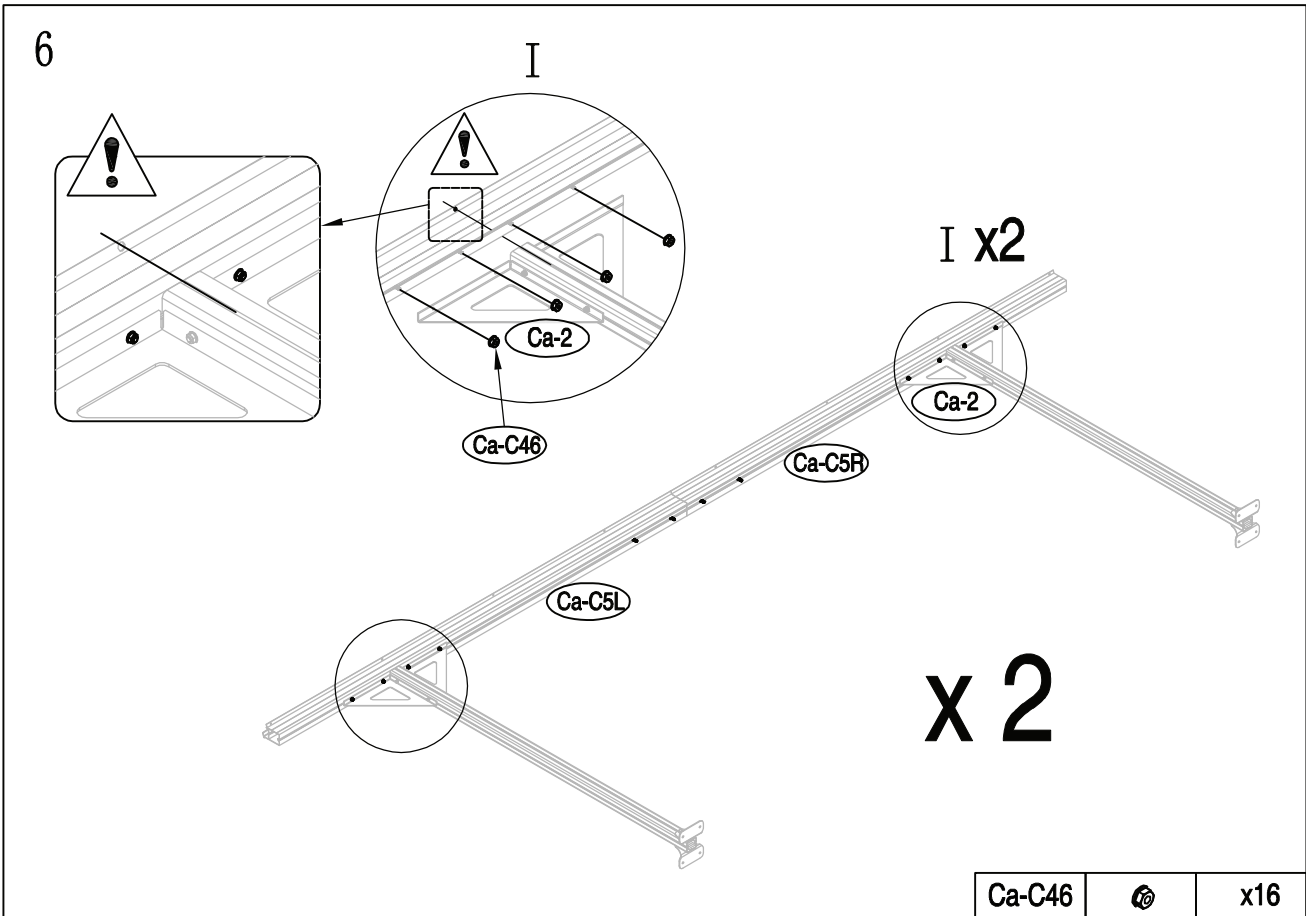
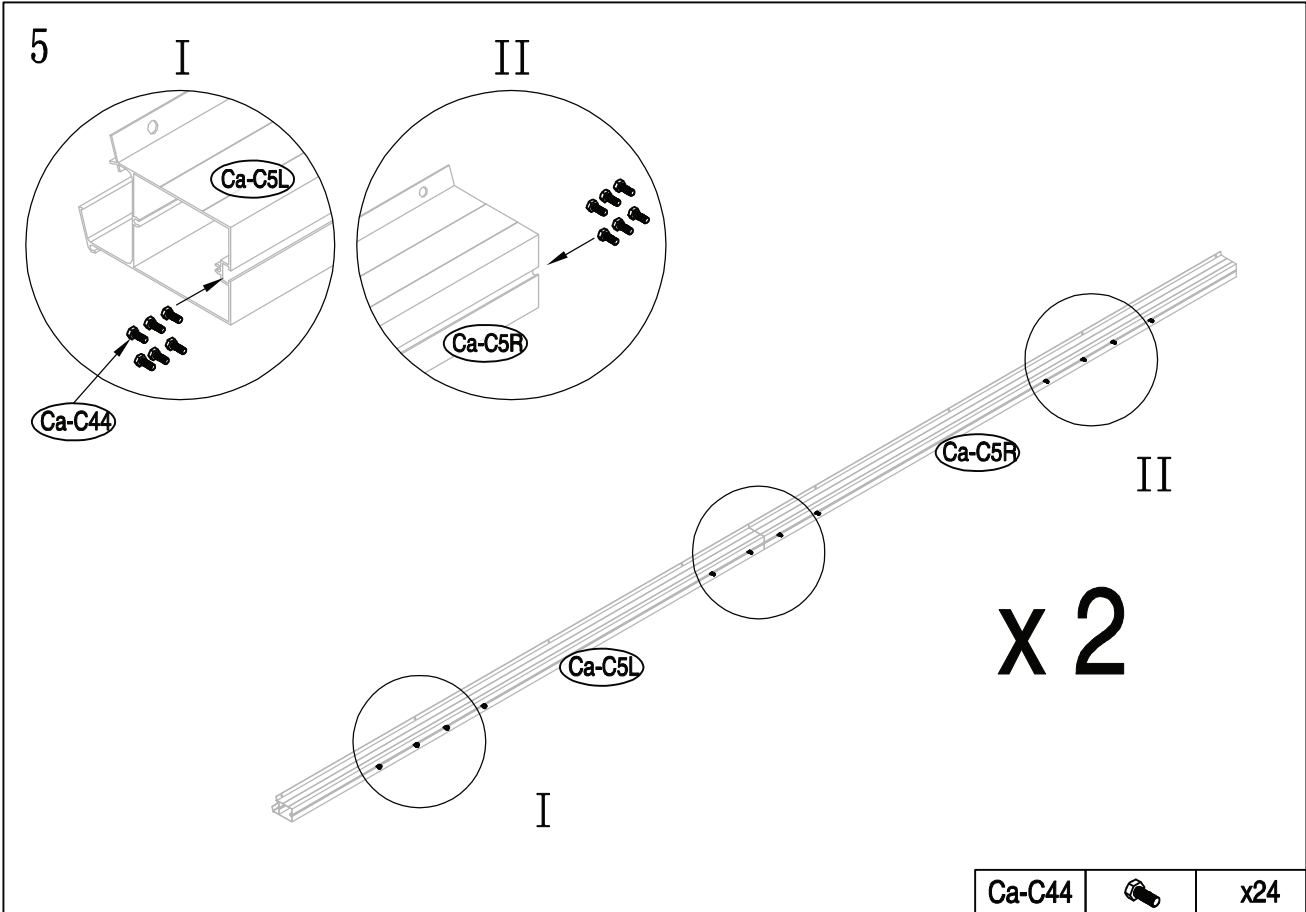
x 6







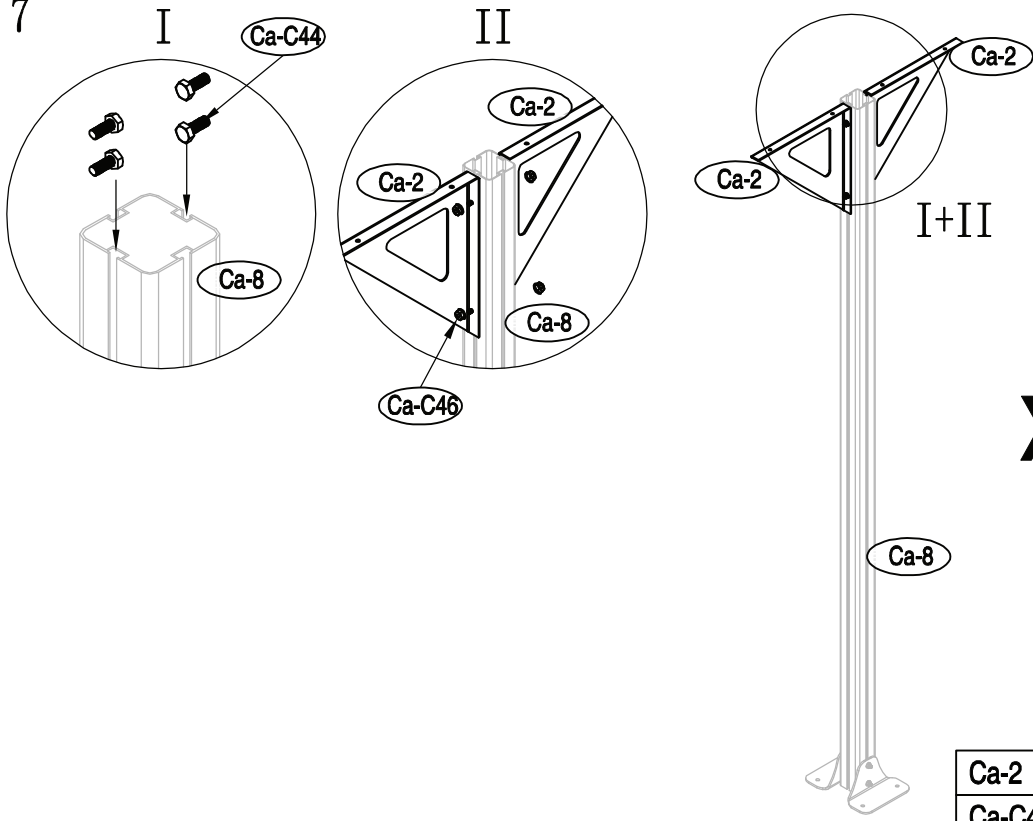




3

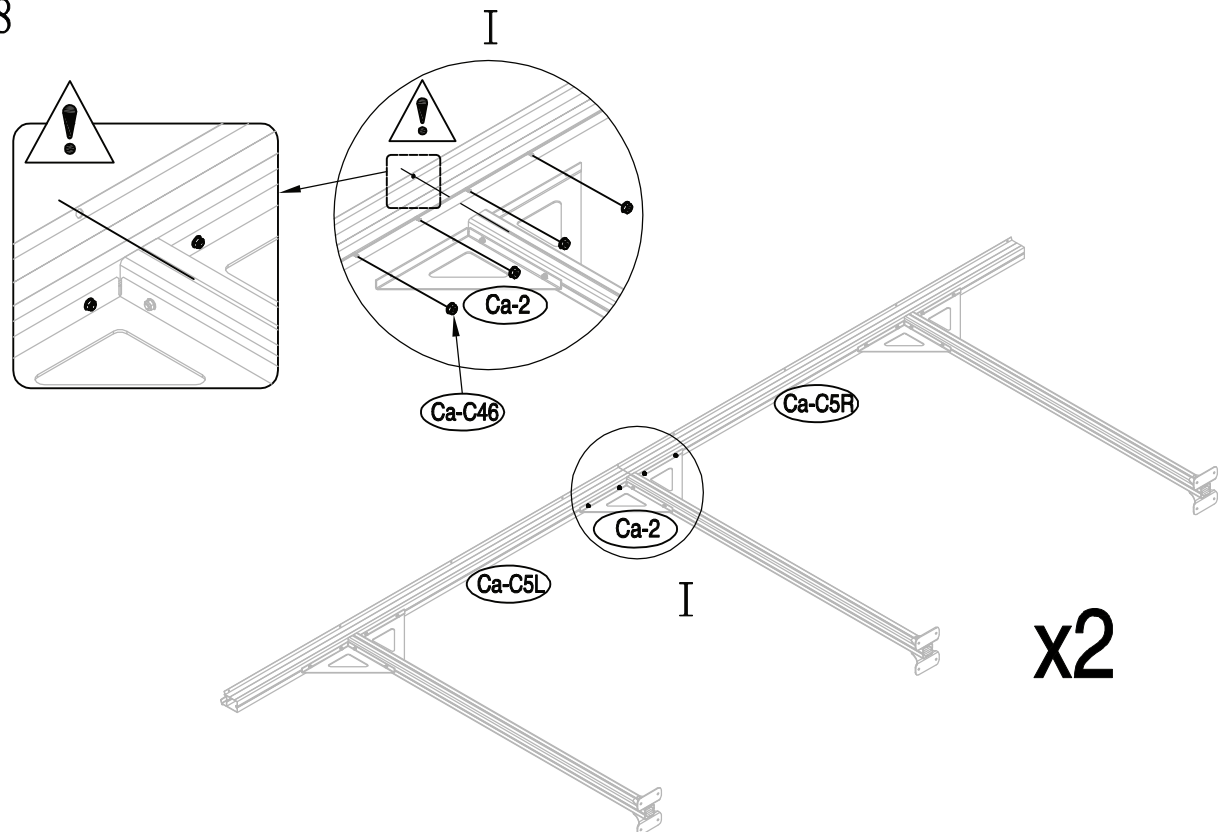


7



Ca-2		x4
Ca-C44		x8
Ca-C46		x8

8

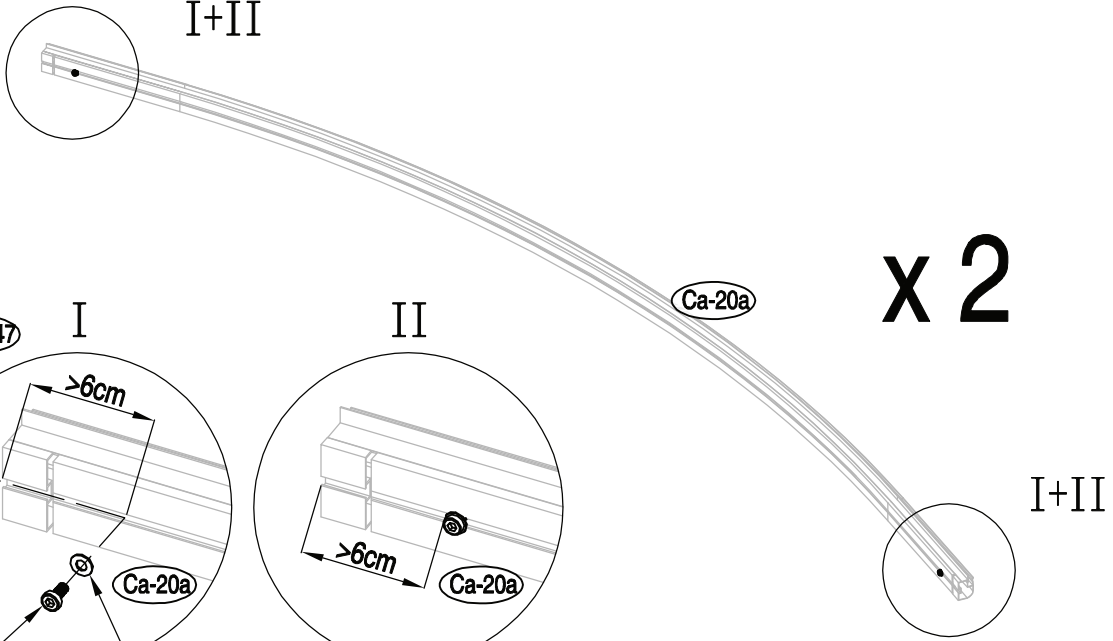


Ca-C46		x8
--------	--	----

4

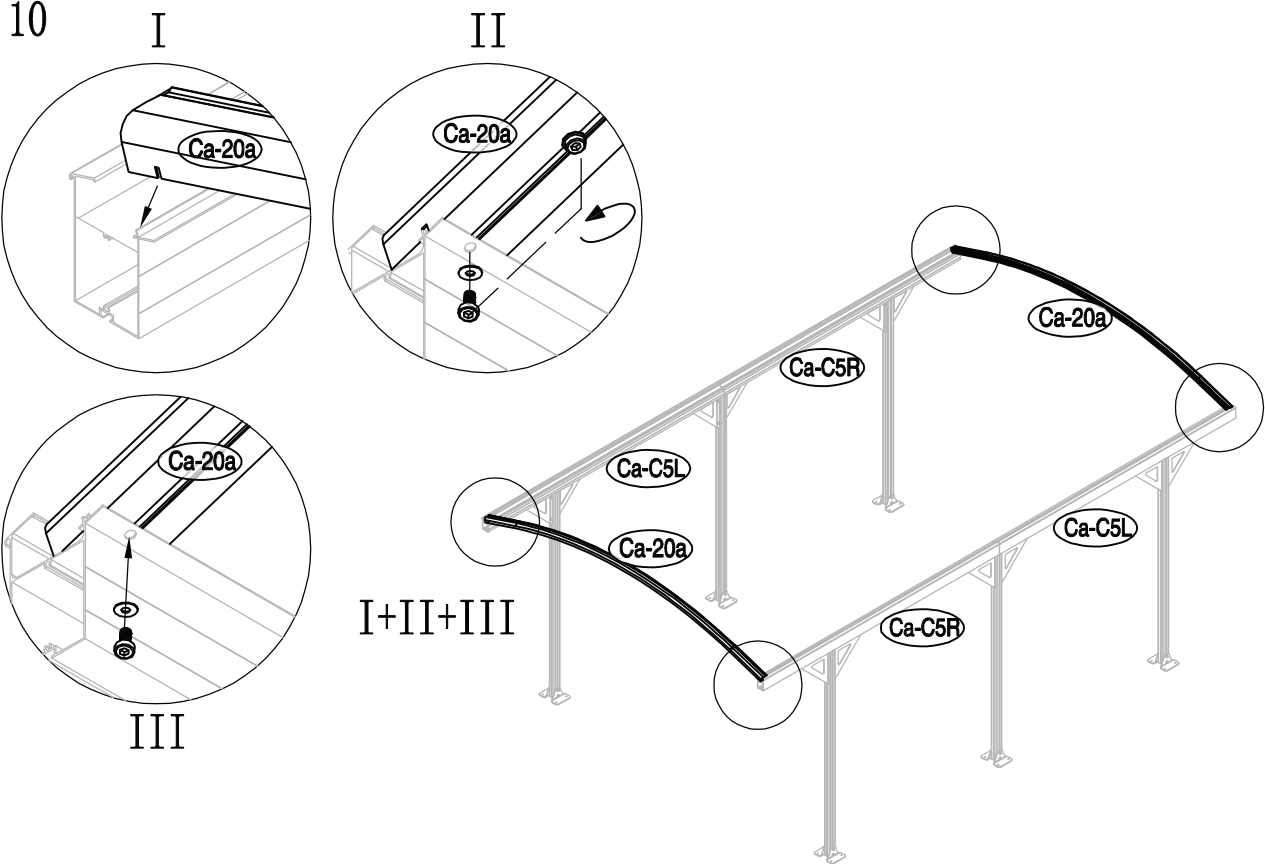


9



	Ca-20a		x2
	Ca-C40		x4
	Ca-C45		x4
	Ca-C47		x4

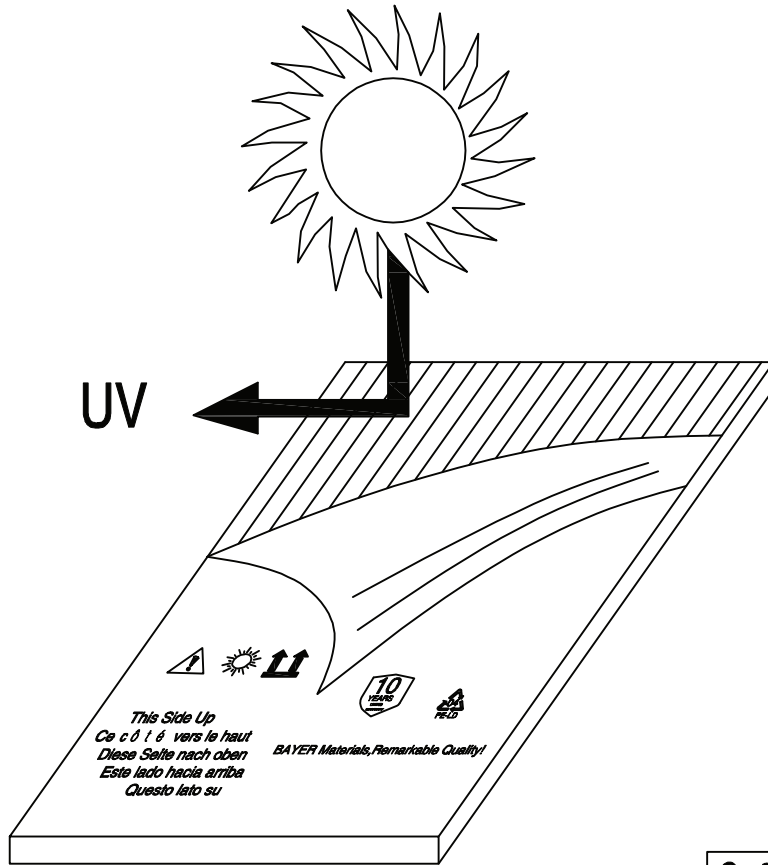
10



5



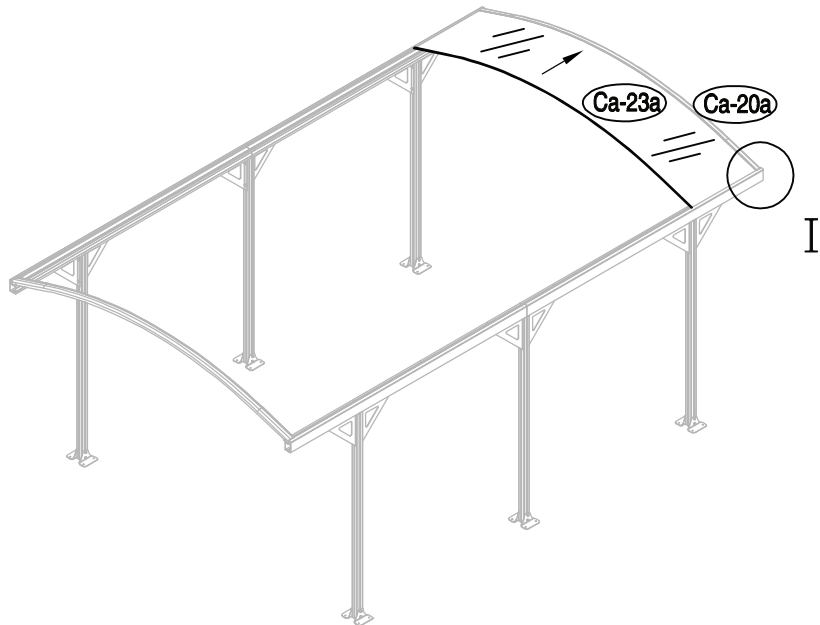
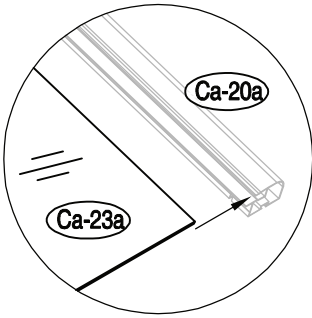
11



Ca-23a	# #	x7
--------	-----	----

12

I

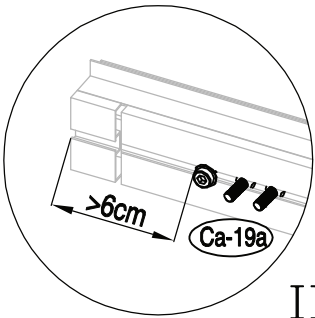
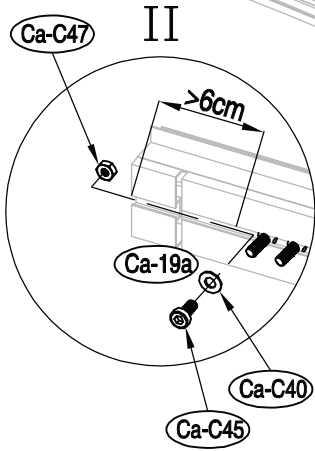
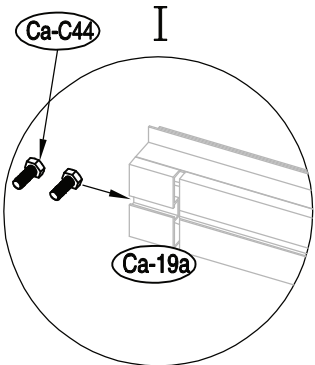
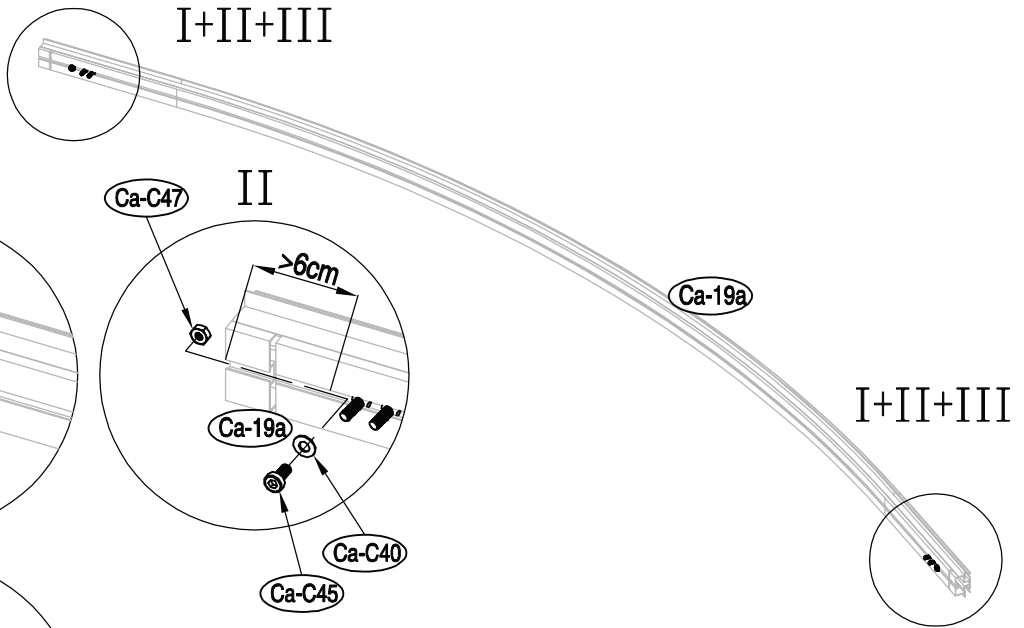


Ca-23a		x1
--------	--	----

6



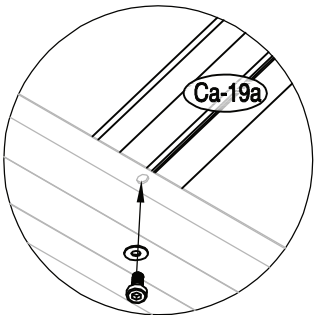
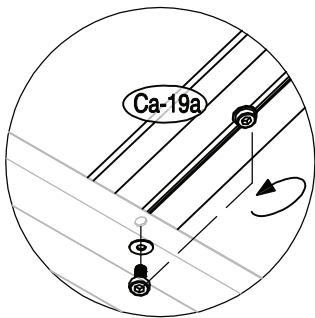
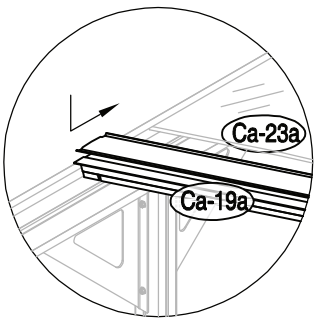
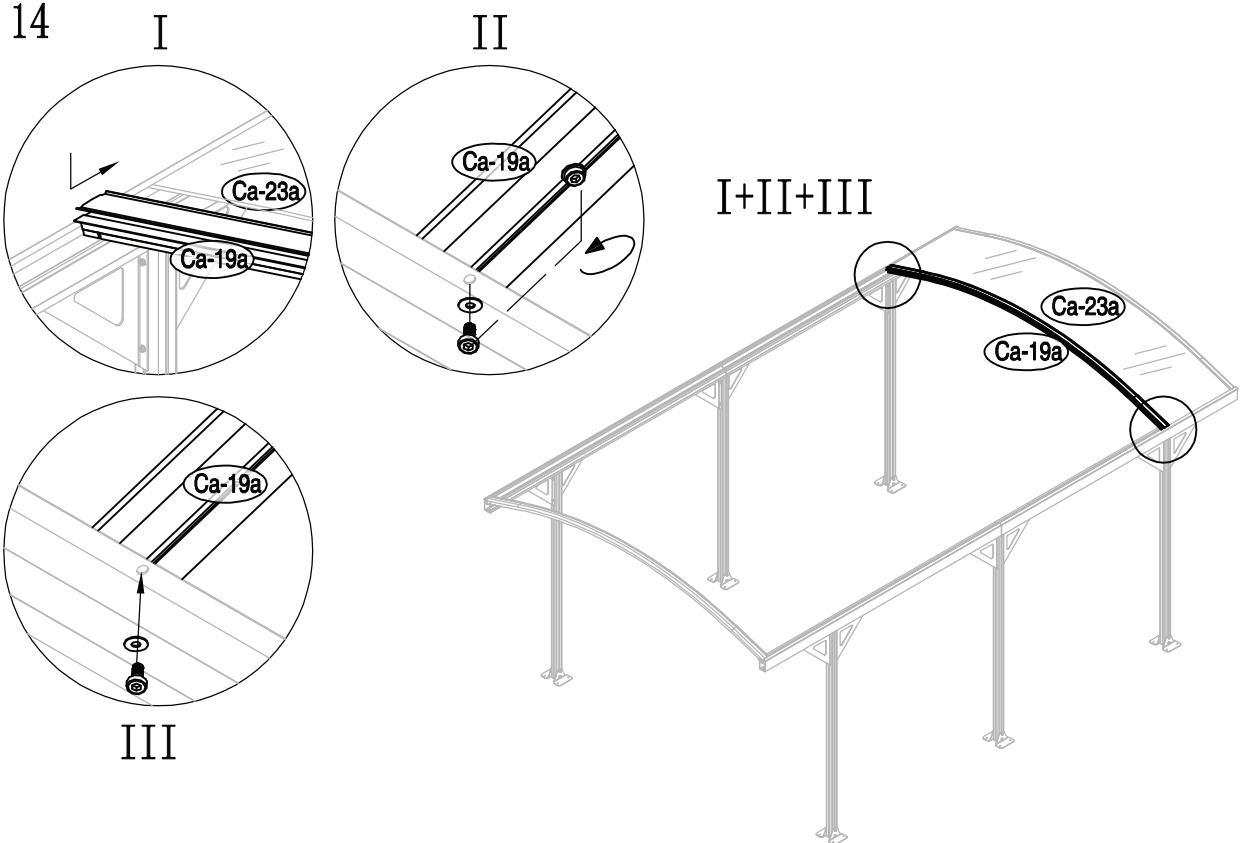
13



III

		x1
		x2
		x4
		x2
		x2

14

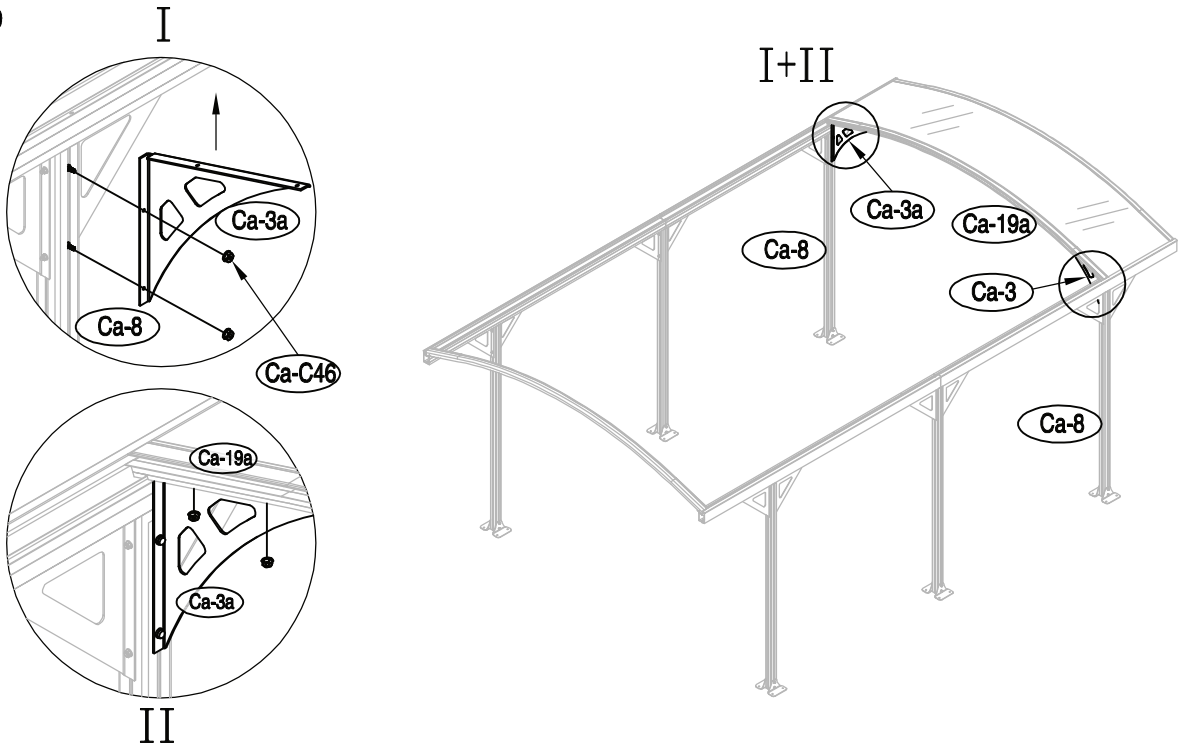


III

7

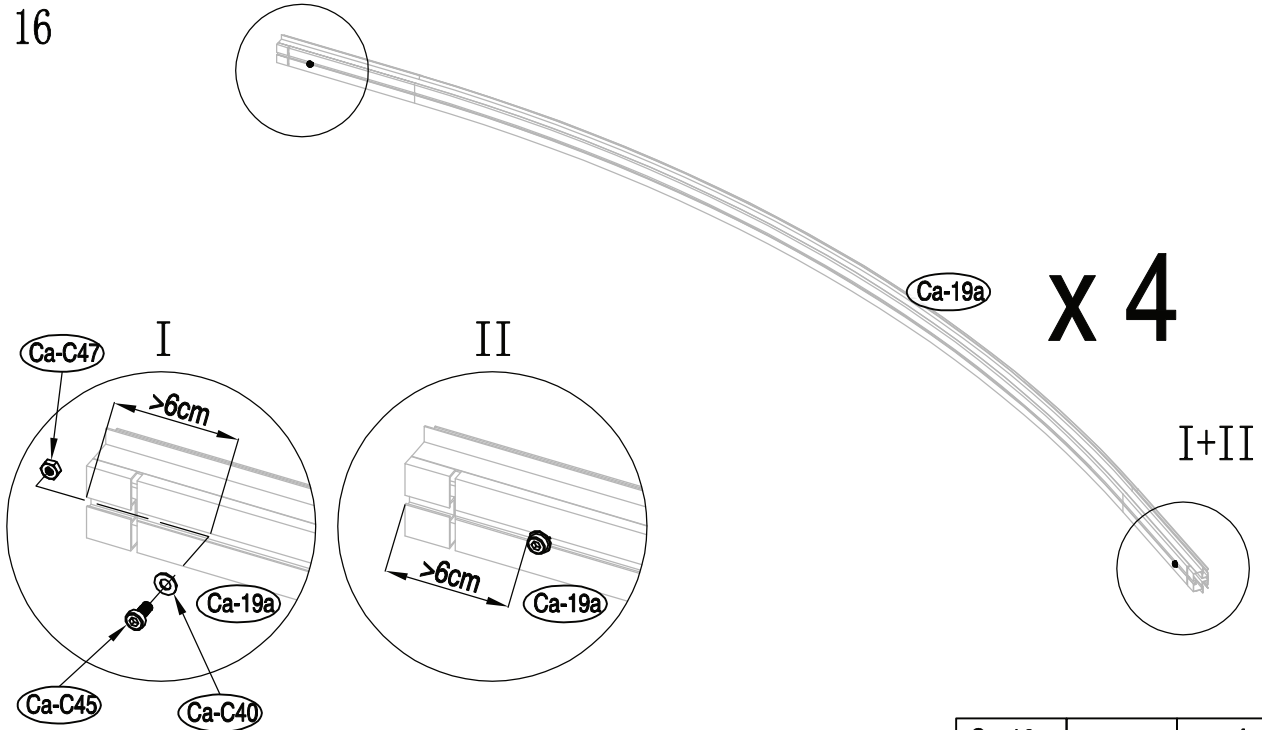


15



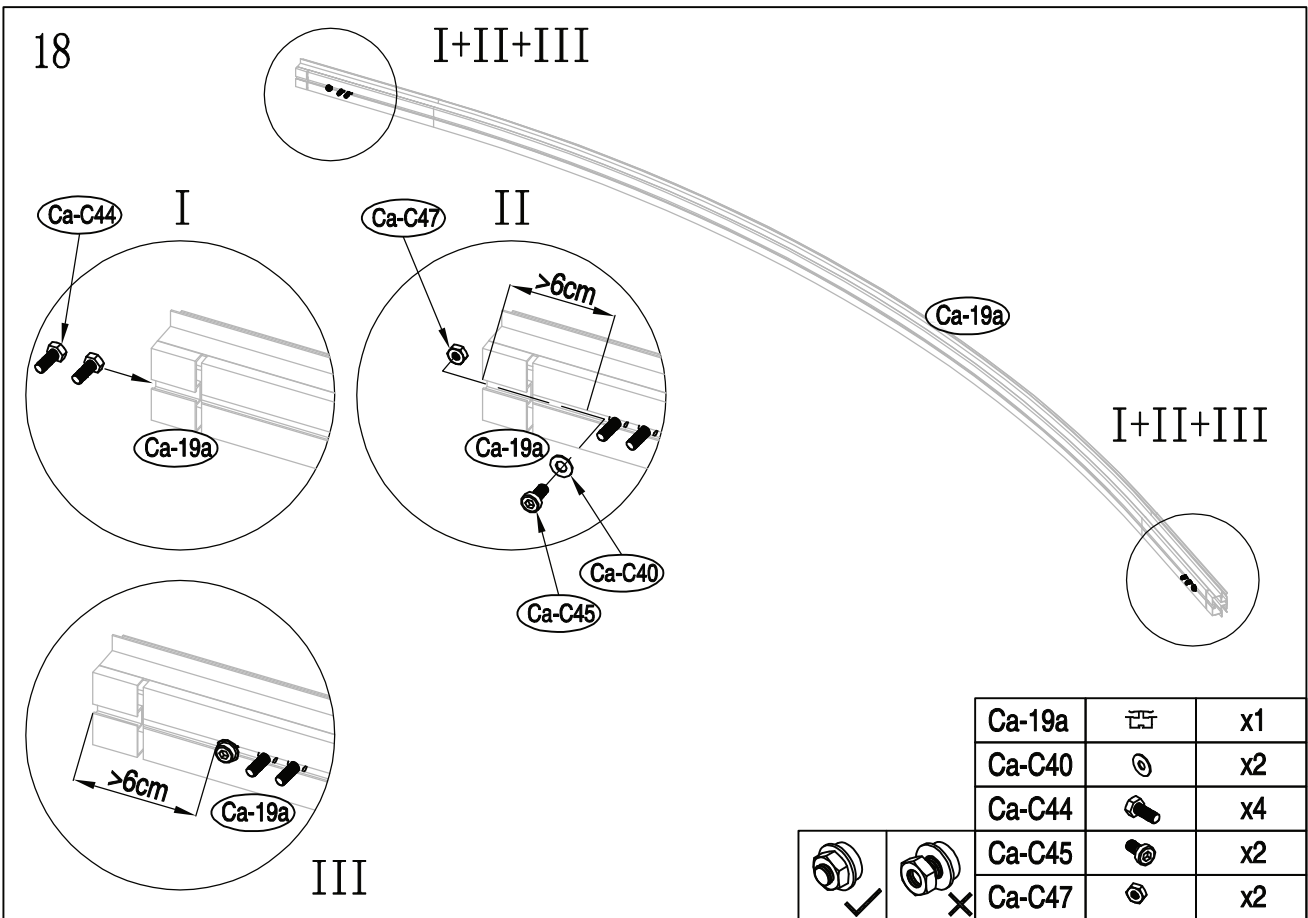
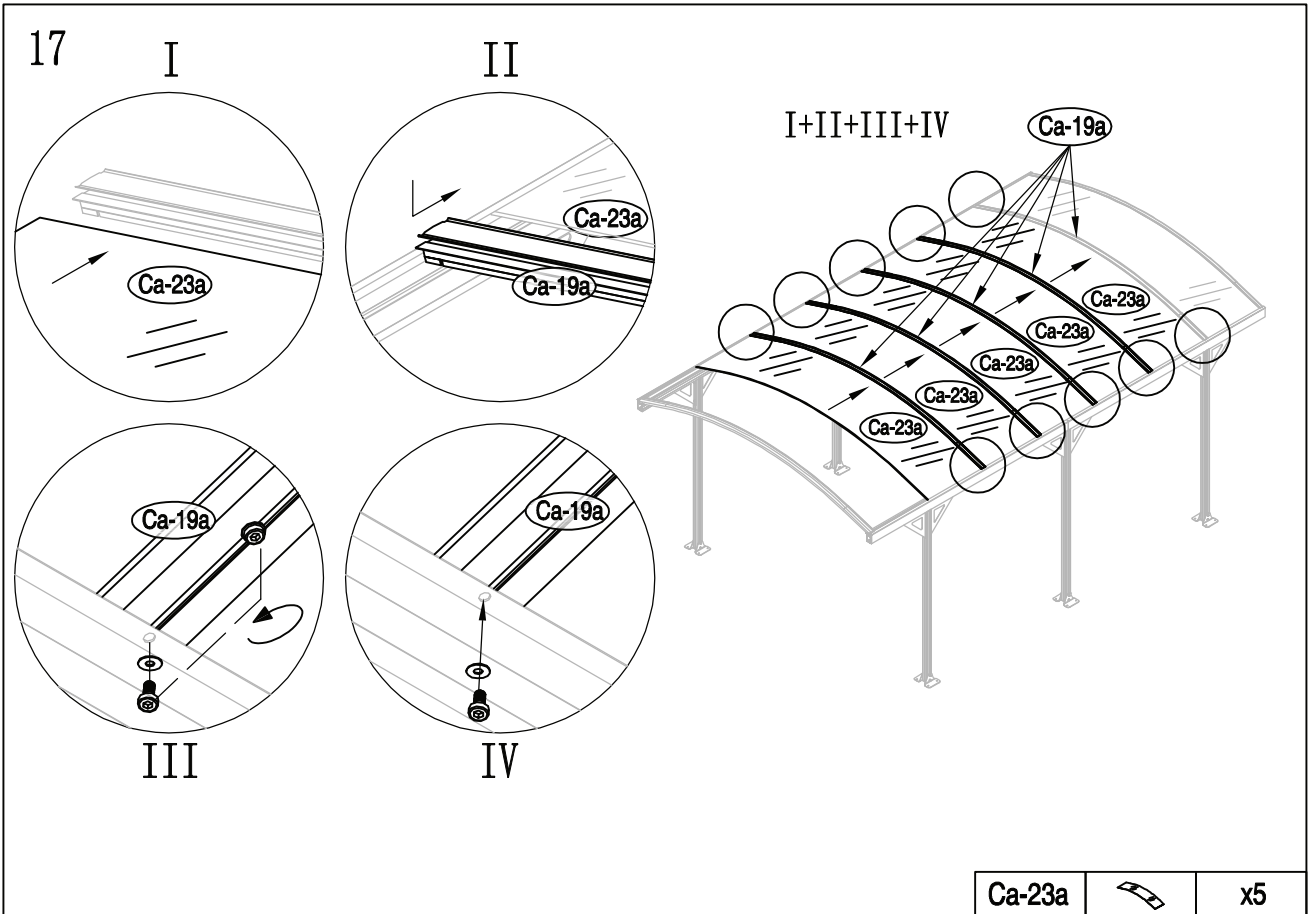
Ca-3		x1
Ca-3a		x1
Ca-C46		x8

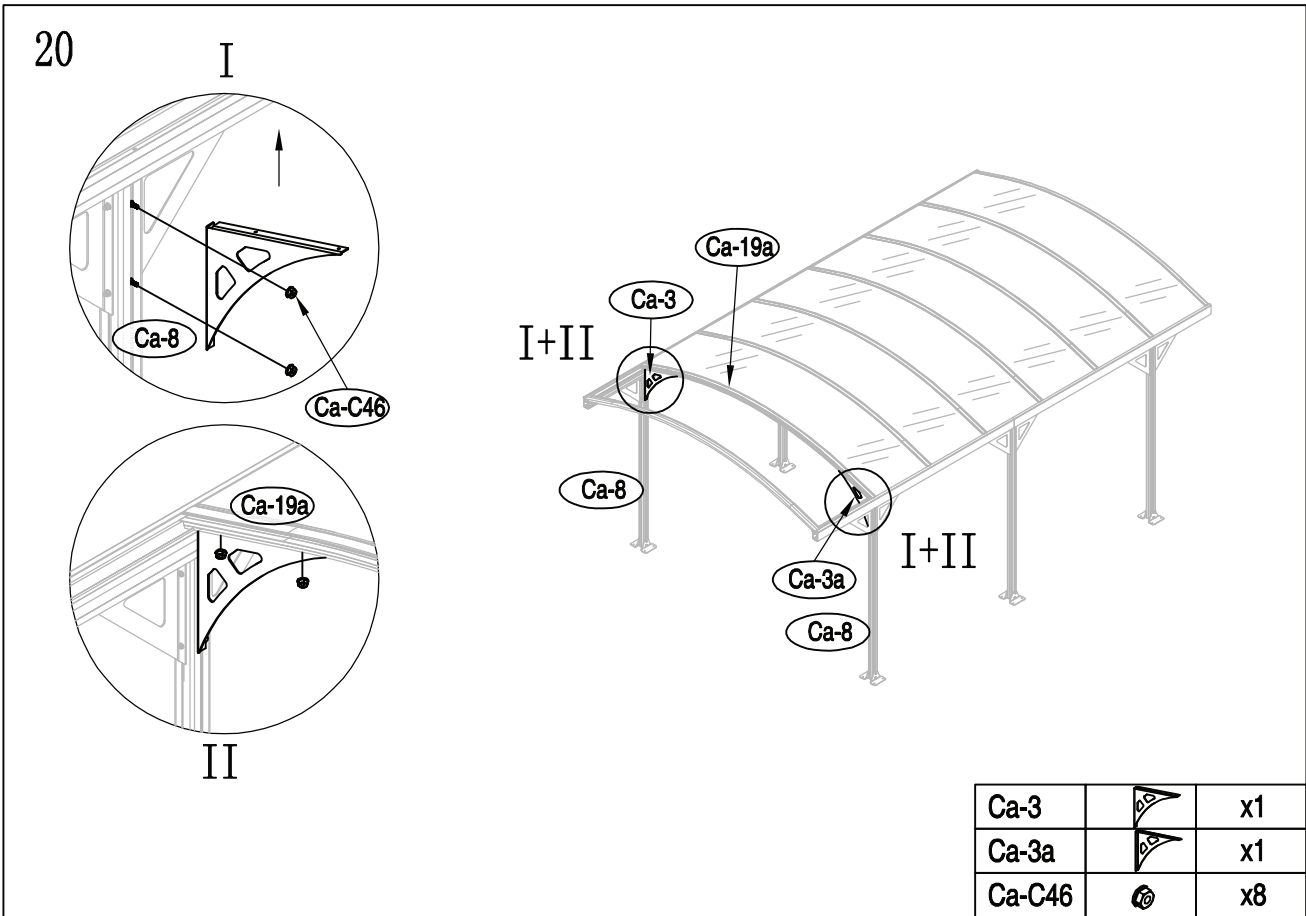
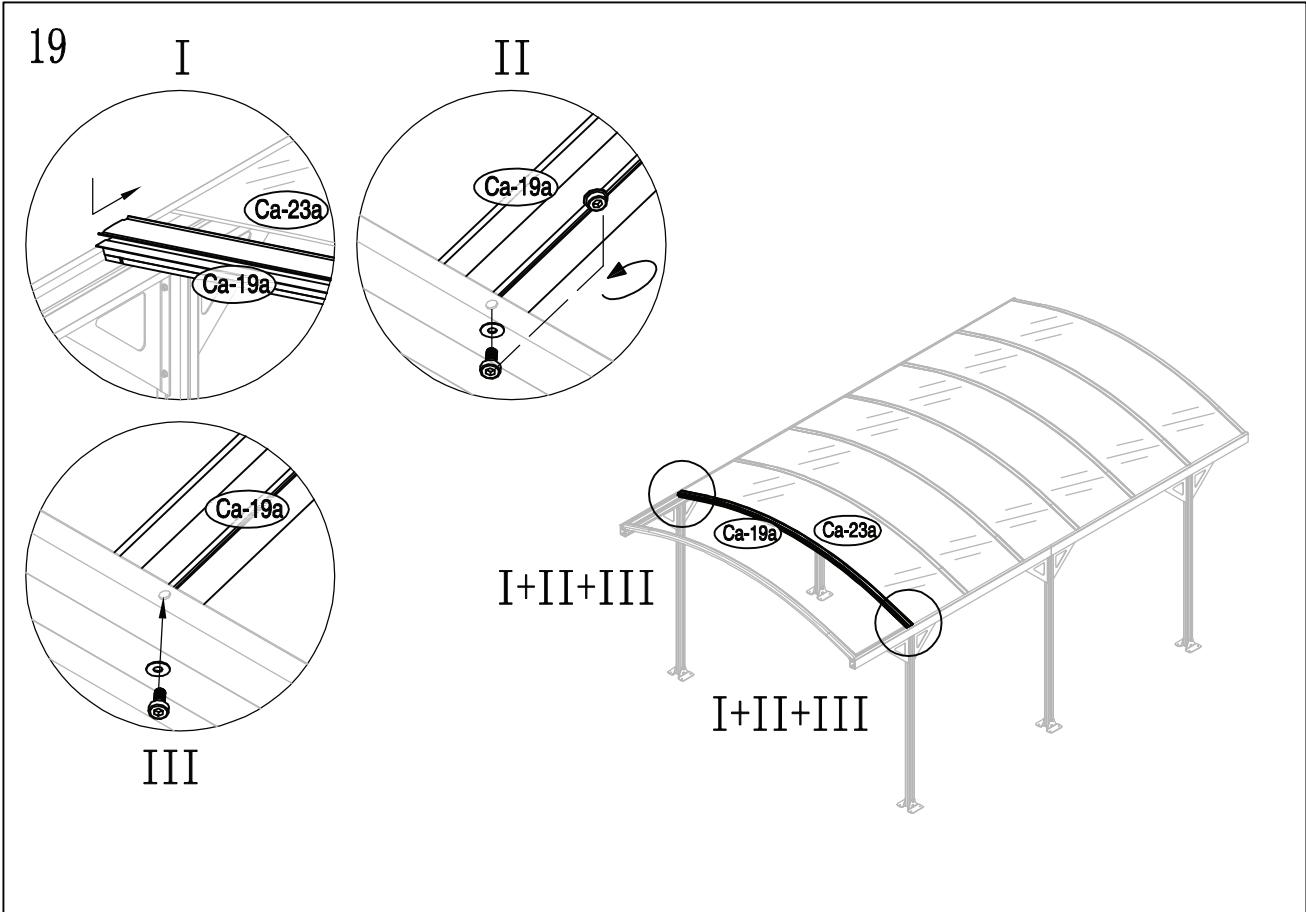
16






Ca-19a		x4
Ca-C40		x8
Ca-C45		x8
Ca-C47		x8

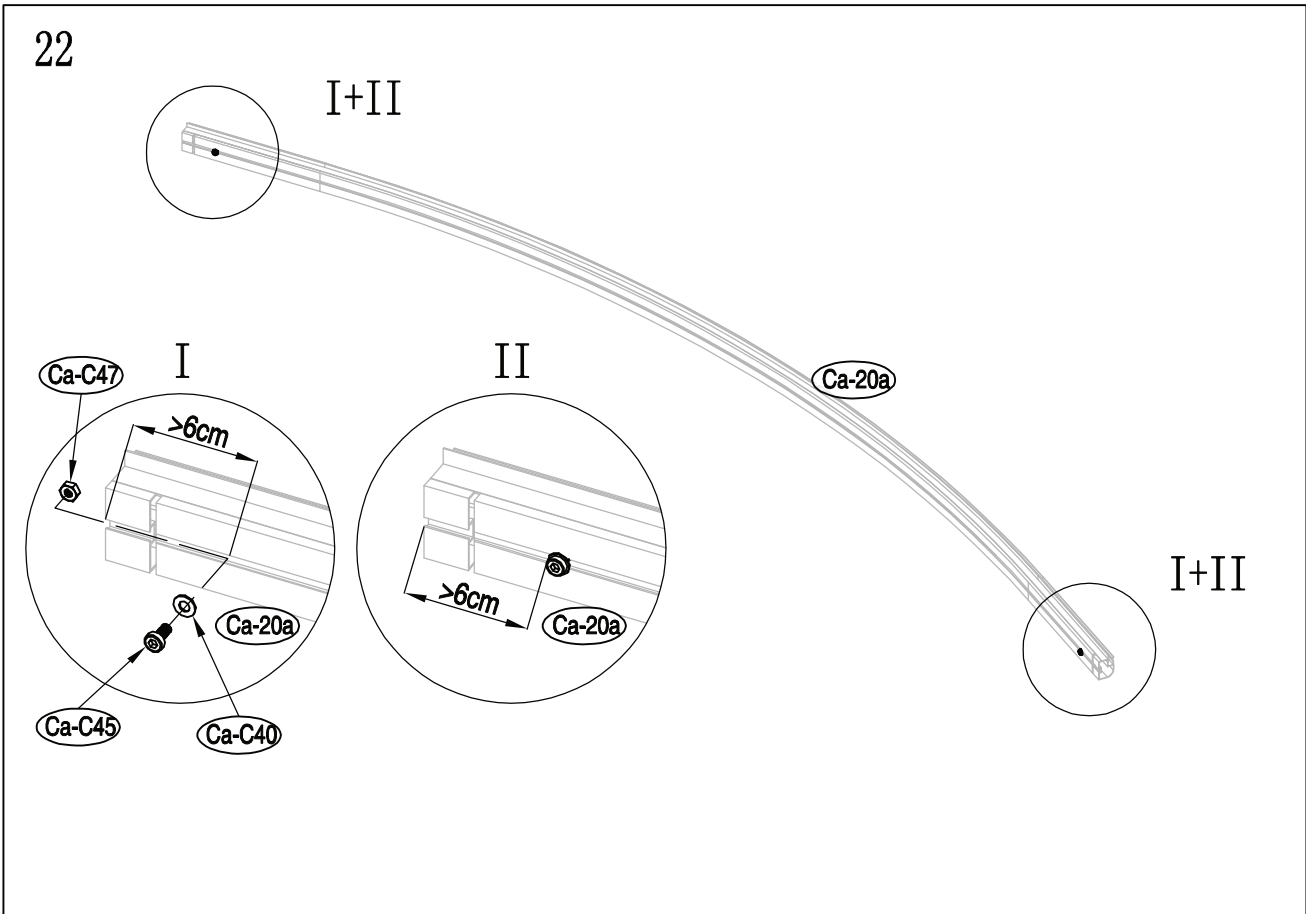
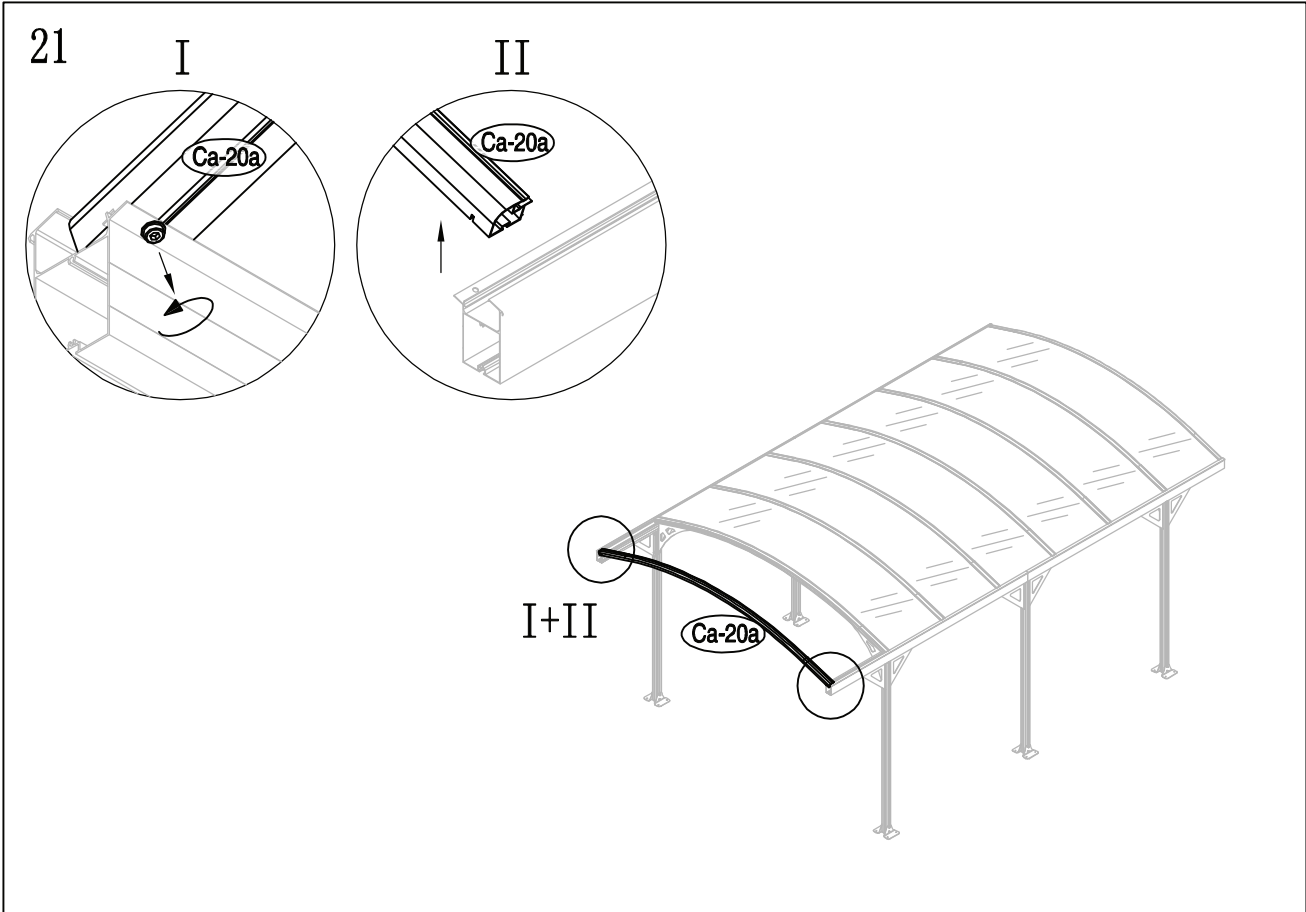




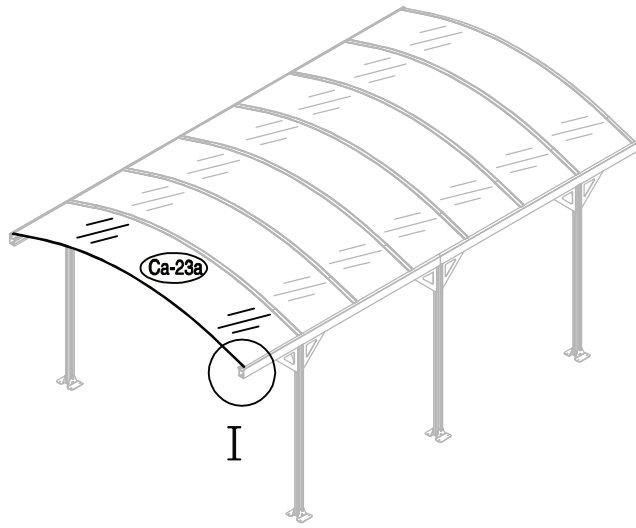
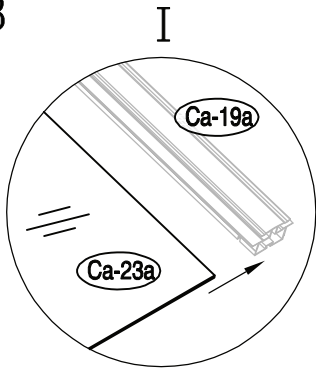


Ca-3		x1
Ca-3a		x1
Ca-C46		x8



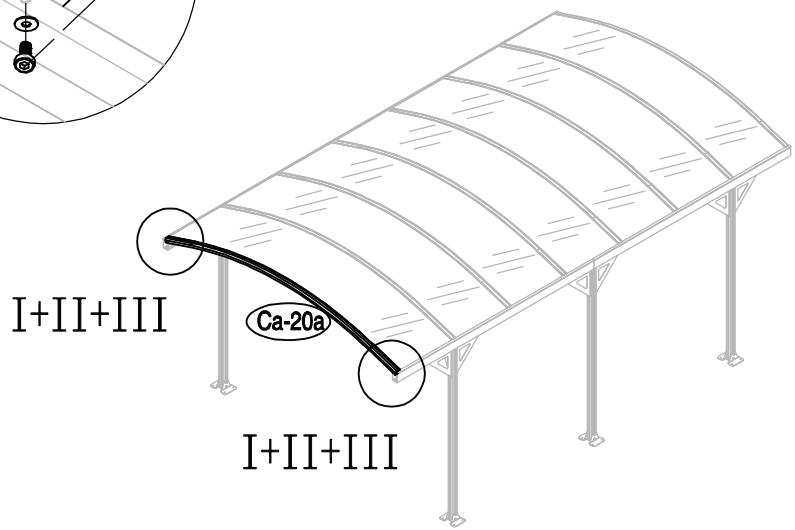
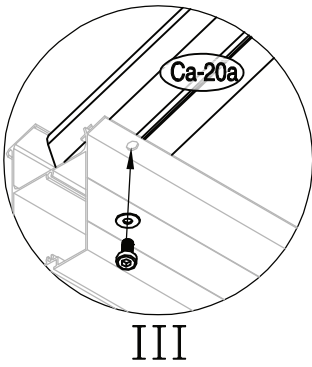
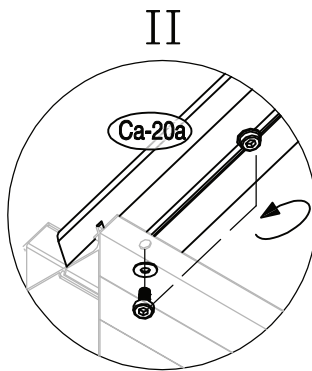
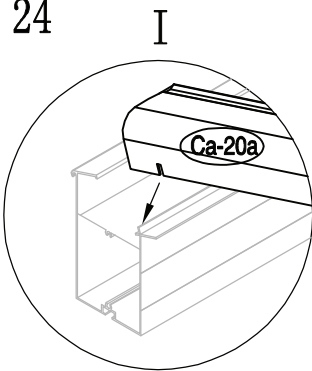


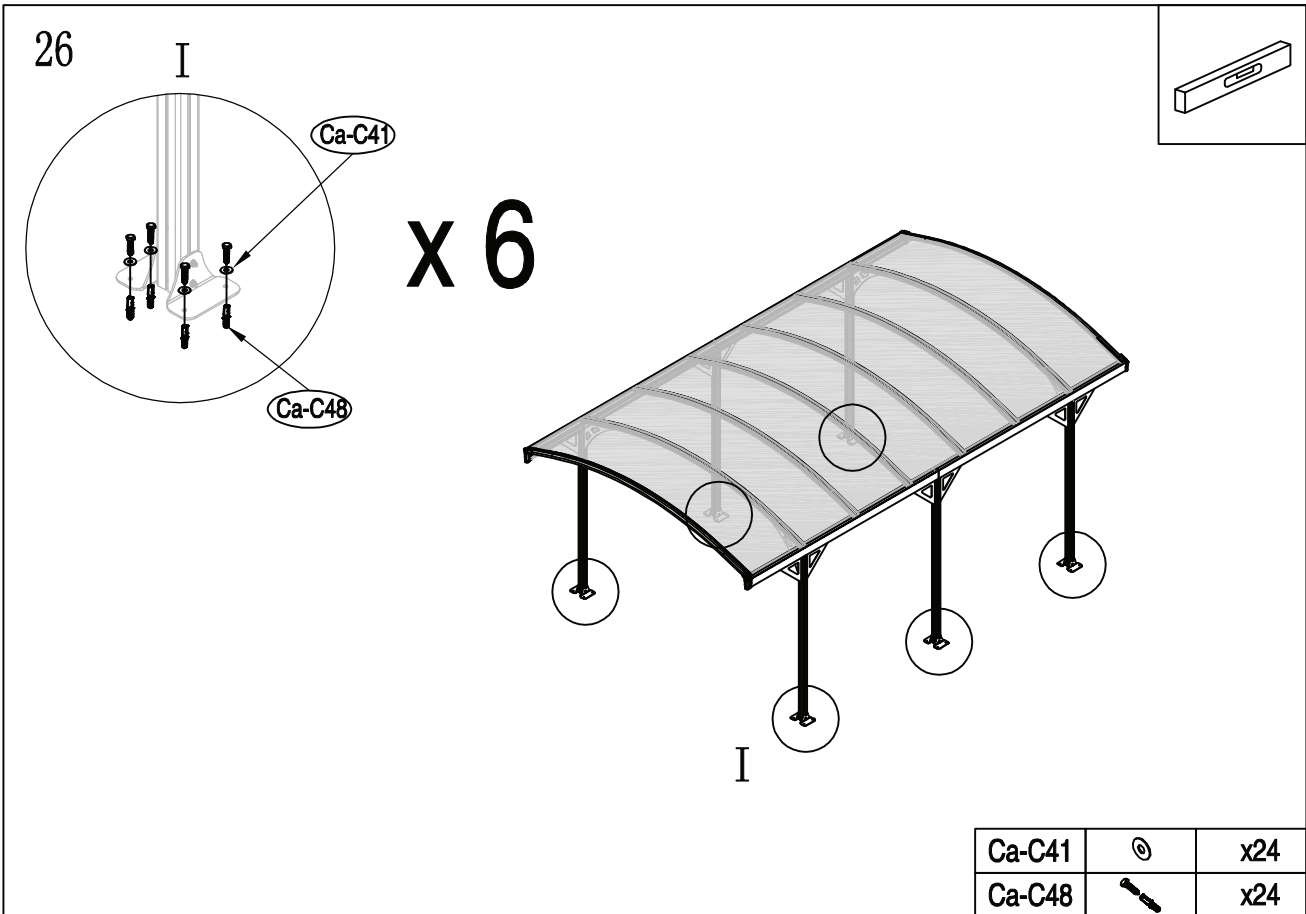
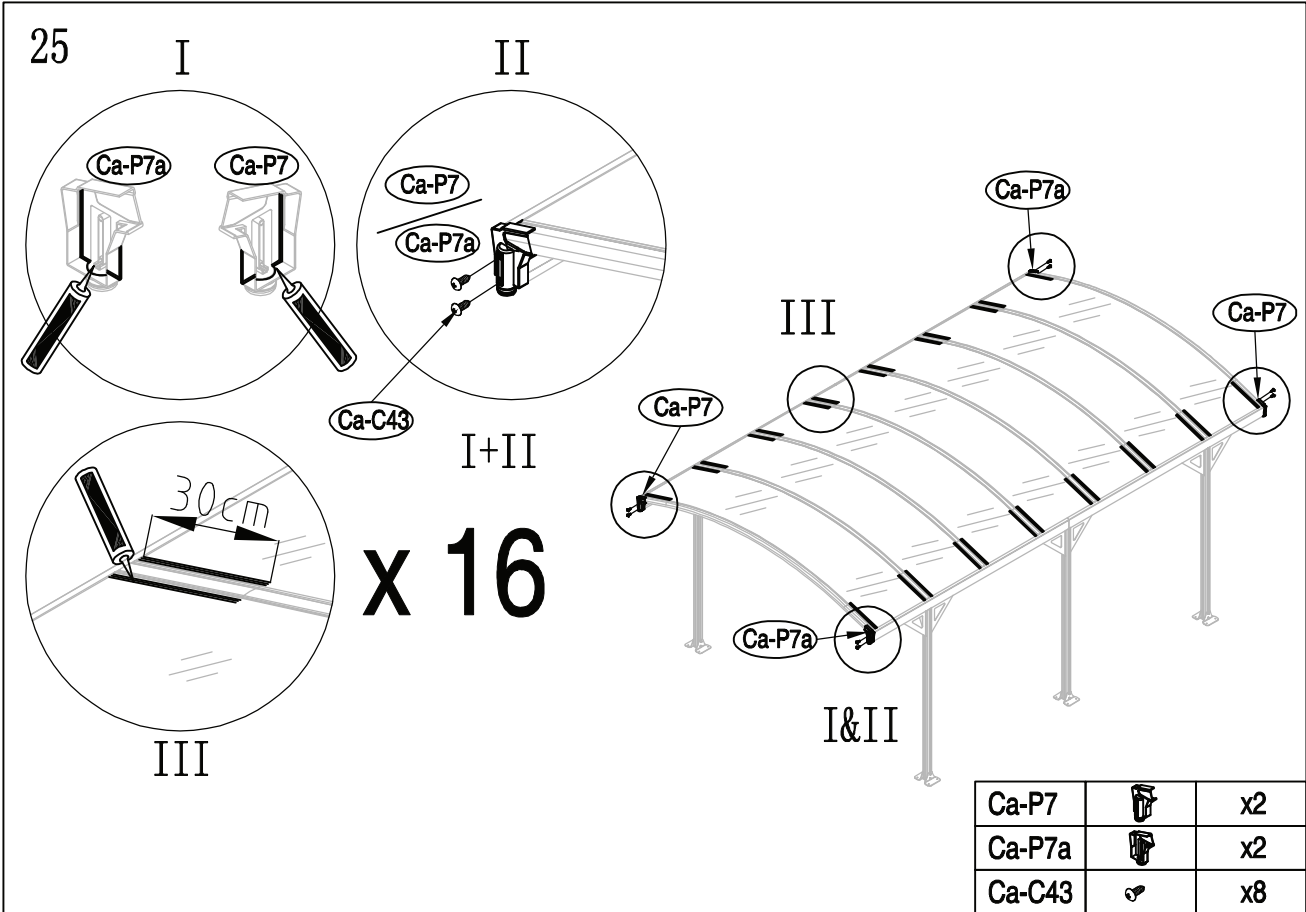
23



Ca-23a		x1
--------	---	----

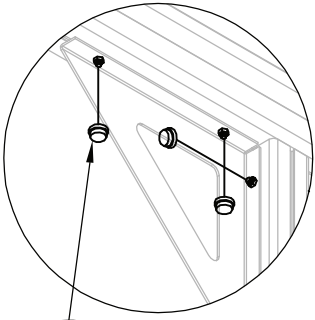
24





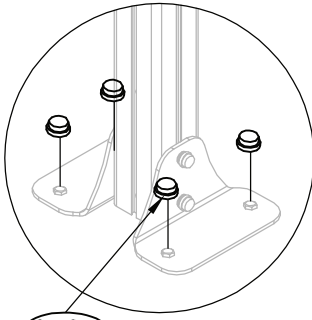
27

I



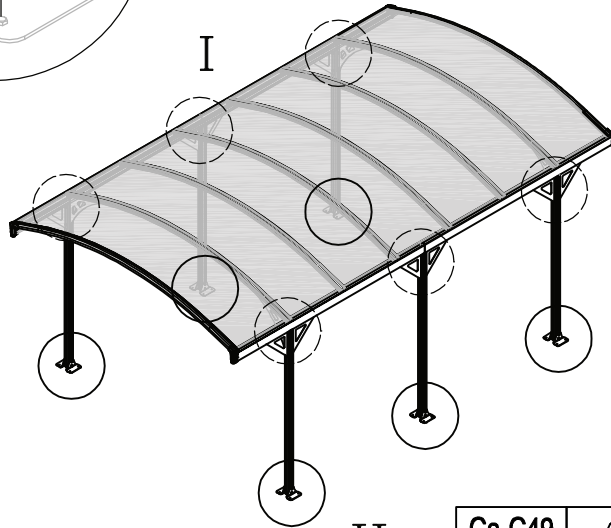
Ca-C49

II



Ca-C50

x 6



II

Ca-C49		x88
Ca-C50		x24



Safety Advice

Thank you!

Thank you for choosing a Dancover carport. We hope that you will enjoy the product. For you to get the most out of your new carport, we recommend that you read this Safety Advice carefully before you assemble and start using the carport!

Please note that it is your responsibility to comply with local rules and regulations and to ensure that the carport is assembled correctly according to the enclosed manual. It is very important that you assemble all parts according to the instructions and fasten the carports to the base with the enclosed anchors or similar fittings. Do not skip any parts or any steps.

We also recommend that you keep this manual somewhere safe so that you can use it when necessary.

Attention!

Before you start to assemble the carport, please be sure to check that everything you need is there according to the list of parts in this manual. Be sure that you have received everything and that nothing is missing or damaged. In case of missing or damaged parts, please fill out a Claim to Dancover before you start assembling the carport!

Important!

Please follow the instructions as listed in this manual and start the assembly by sorting the parts and check against the list of contents. For safety purposes we strongly recommend that the product is assembled by at least two people.

Some parts have sharp edges so please be careful when handling components. Always wear gloves, shoes and safety goggles during assembly. Do not attempt to assemble the carport in windy or wet conditions.

Dispose of all packaging responsibly and be careful with the plastic bags and keep them away from small children as they pose a choking hazard. In general, keep children away from the assembly area.

Do not attempt to assemble the carport if you are tired, have taken drugs, medications or alcohol, or if you are prone to dizzy spells. When using a stepladder or power tools, ensure that you are follow the manufacturer's safety advice. Do not climb or stand on the roof of the carport or lean heavy items against the poles. Please note that this product was designed and produced to be a carport only!

If you at some point want to clean your carport, use a mild detergent solution and rinse with cold clean water. Do not use acetone, abrasive cleaners, or others special detergents to clean the carport.

Weather conditions

When the carport is assembled and in use, keep the roof and gutters free of snow, dirt, and leaves. Too much wet and heavy snow on the roof can damage the carport so make sure that you remove wet snow frequently. Water will run off the carport by itself.

The carport must be placed on a solid and level base like concrete, flagstones, or asphalt. Choose your site carefully before beginning assembly. During assembly use a soft material under the parts to avoid scratches and damages. When the carport has been assembled, it is important that you fasten the carport to the base with anchors or similar to avoid accidents in windy weather and bad weather in general.

Insurance

Make sure to check whether your carport is covered by your house contents insurance or similar.

Warranty information

Dancover warranty applies only to the normal use of the product, normal wear and tear excepted, in accordance with written use instructions or manual. The warranty does not apply to damage caused by accident, abuse, misuse, or modification of the product.

Please visit dancovershop.com for information on warranty.

Please always check our website for the latest safety advice and manual.



This construction is for use in areas with Snowlast Aria 1 =
 $0.93 \text{ kN per M}^2 = 95 \text{ kg per M}^2$



In the case of heavy snowfall, it should be removed as much
as possible!

Declaration of Performance

Unique identification codes of the product-types:

Boston Serie:

CP570000

CP570005

CP570010

Intended use/es:

For external used in buildings and other construction works: Carport

Manufacturer:

Dancover A/S,

Lyngevej 16 A, 3400

Hillerød

System/s of assessment and verification of constancy of performance:

System 2+

Harmonised standard:

EN 13561_2015

Declared performances

Essential characteristics	Performance
Tolerances on dimensions and shape	Pass
Labeling	Pass
Main steel material	Aluminium
Load	Pass test load 90 kg/m ²
Resistance to wind loads	Class 1

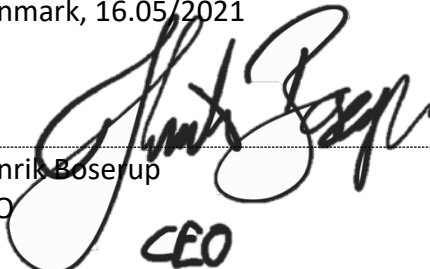
(NPD = No Performance Determined)

The performance of the product identified above is in conformity with the set of declared performances. This declaration of performance is issued, in accordance with Regulation (EU) No 305/2011, under the sole responsibility of the manufacturer identified above.

Signed for and on behalf of the manufacturer:

Denmark, 16.05/2021

Henrik Boserup
CEO



CEO

Contact information

Austria



Belgium



Croatia



Denmark



Estonia



Finland



France



Germany



Ireland



Italy



Latvia



Lithuania



Nederland



Norway



Poland



Portugal



Spain



Sweden



Switzerland



UK

