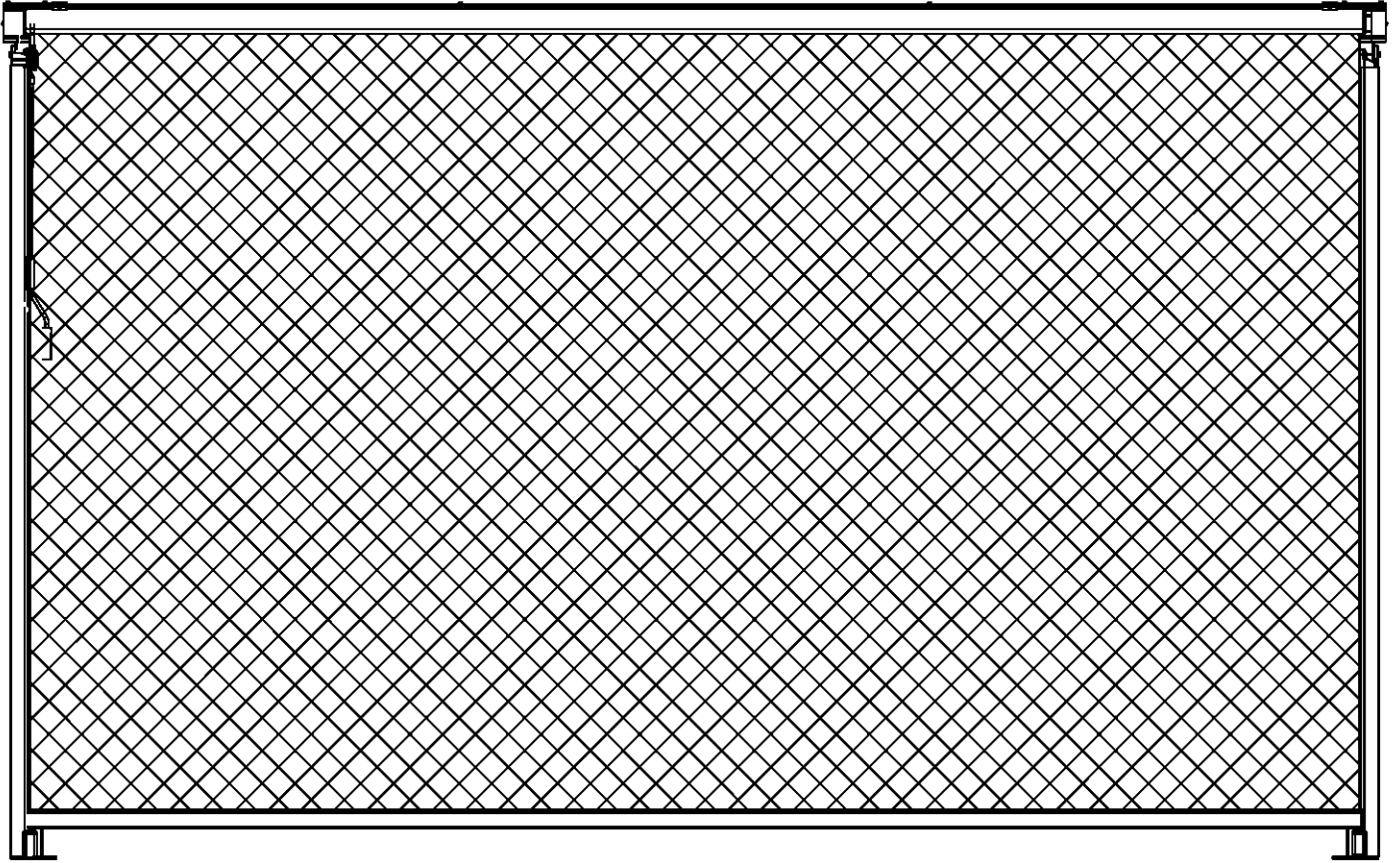


**DANCOVER<sup>®</sup>**

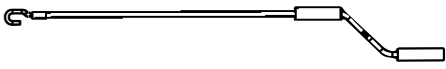

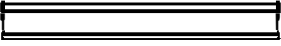













Manual  
for  
Screen/Sidewall  
for Pergola Gazebo San Fernando

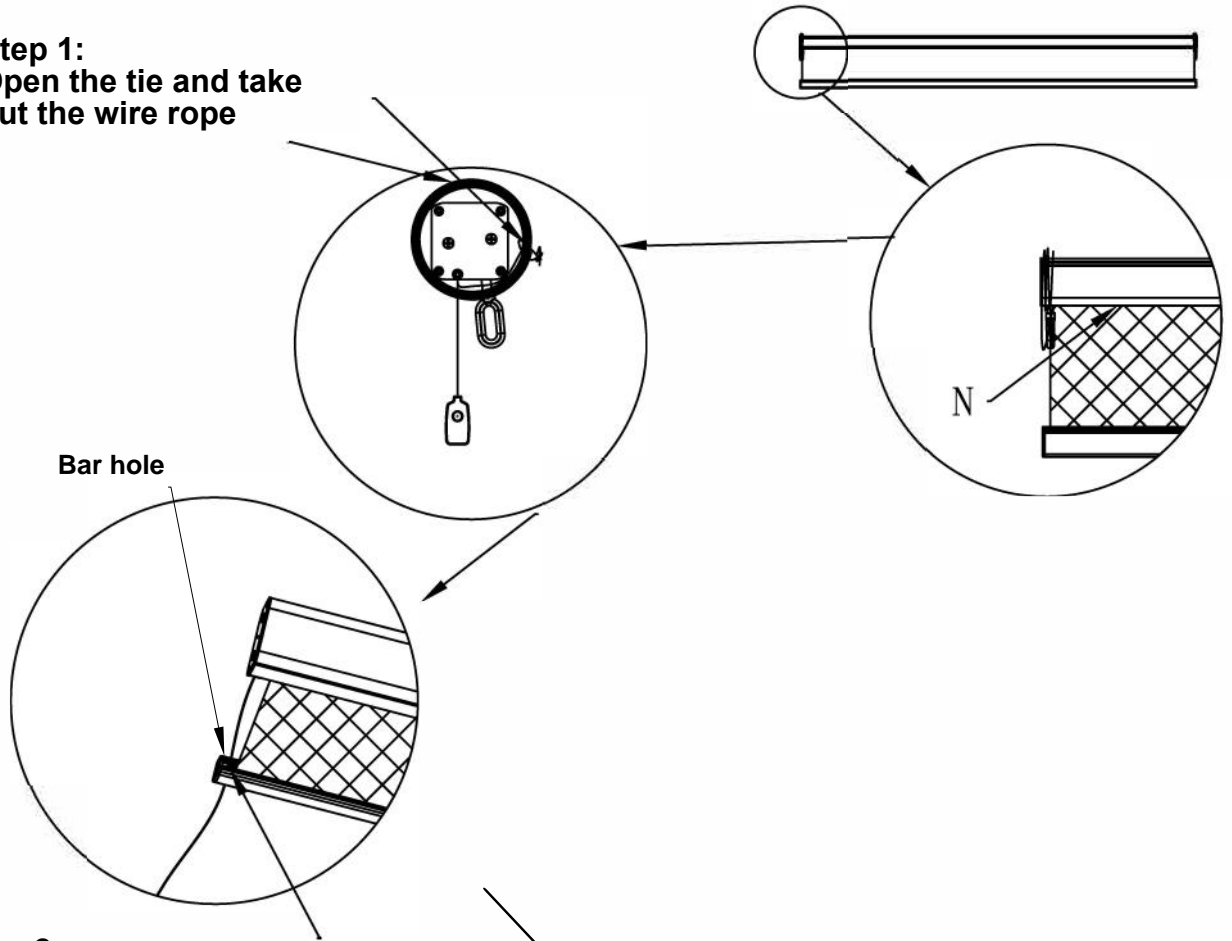
# Manual Instruction for Side Screen



# Spare parts list

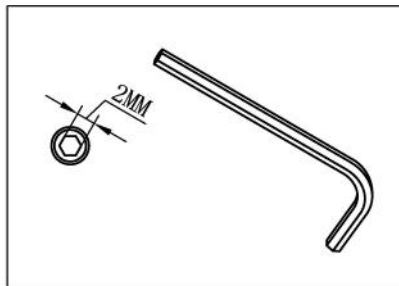
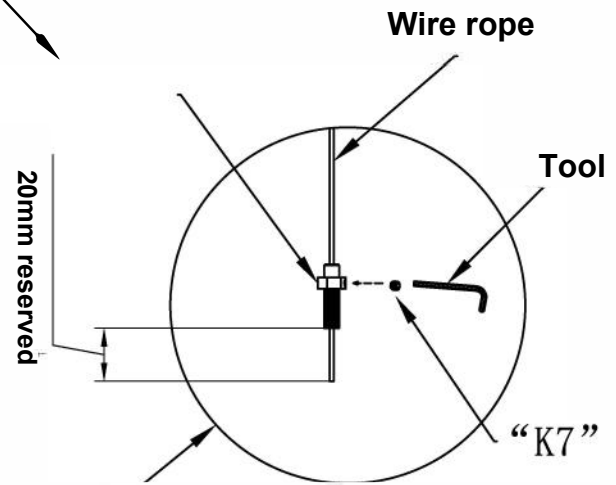
Label No.	Description	Drawing	Qty
L	The hand crank		1
M	The bracket		2
N	The main frame		1
O	The adjustable holder for wire rope		2
P	The cover for adjustable holder		2
Q	The regulator for wire rope		2
R	The ring		1
K1	M8 Hexagon nut		2
K2	The cross head screw M4x20		1
K3	M4 lock nut		1
K4	The self-drilling screws (Cross recessed large flat head) ST4.2x25		6
K5	Hexagon socket pan head gasket screw M6x25		4
K6	Cross recessed countersunk head screw M4x12		4
K7	Hexagon socket flat end locking screw M4x6		2

**Step 1:**  
Open the tie and take out the wire rope



**Step 2:**  
Pass the wire rope through the bar hole

**Step 3:**  
Screw K7 according to the arrow direction



K7



QTY:2PCS

Q



QTY:2PCS

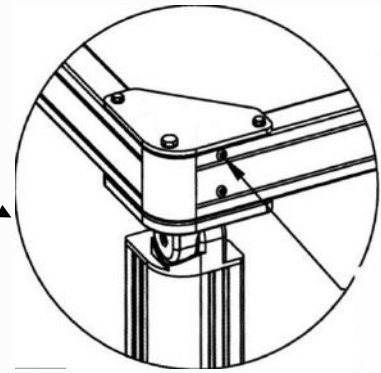
N



QTY:IPC

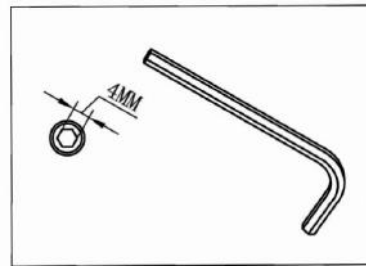
**Step 1:**

**Unscrew the original screws from two sides of the pergola;**

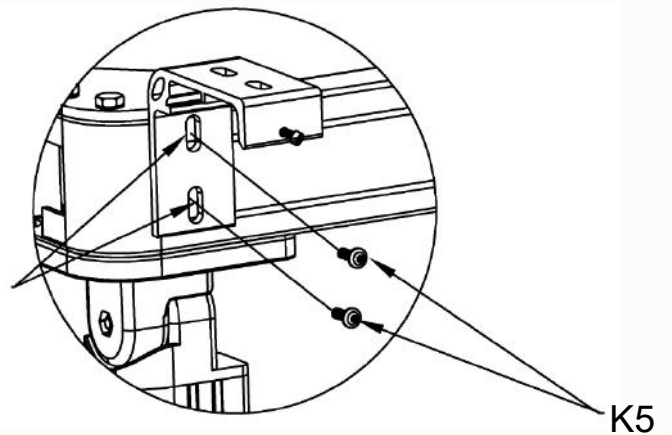
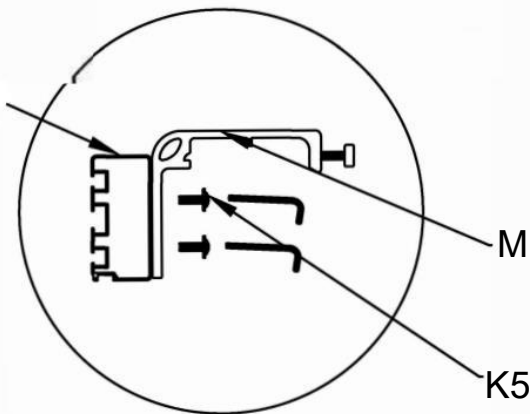


**Step 2:**

**then fix 'M' with screws K5 (at two sides of pergola)**



**Tool**



M



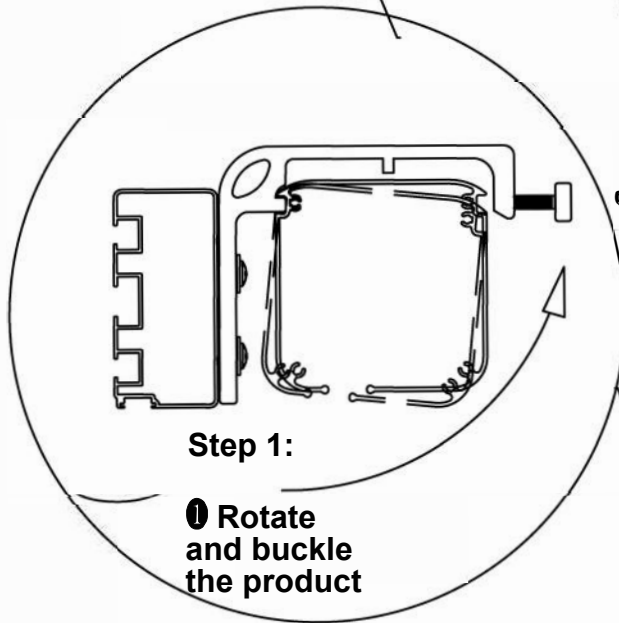
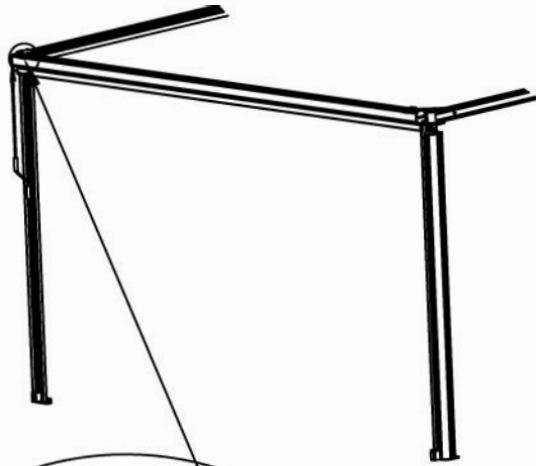
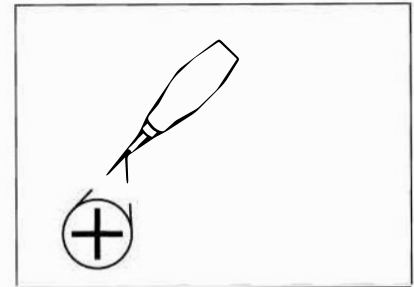
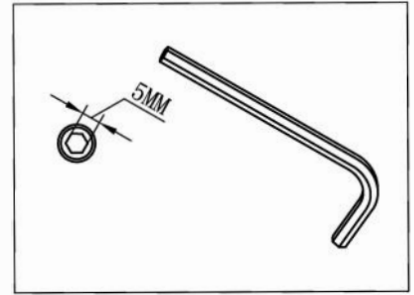
QTY: 2PCS

K5



QTY: 4PCS

**TOOL**



**Step 1:**

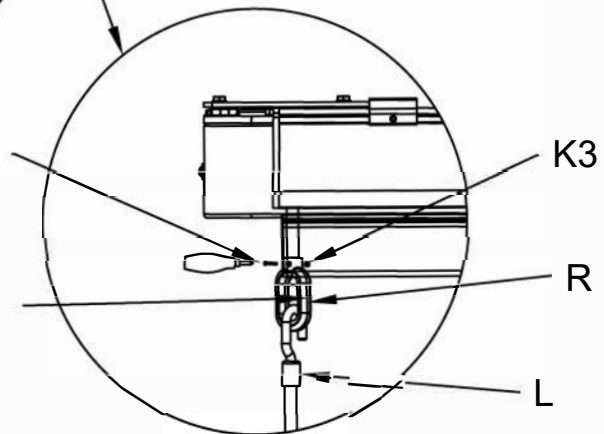
**1 Rotate and buckle the product**








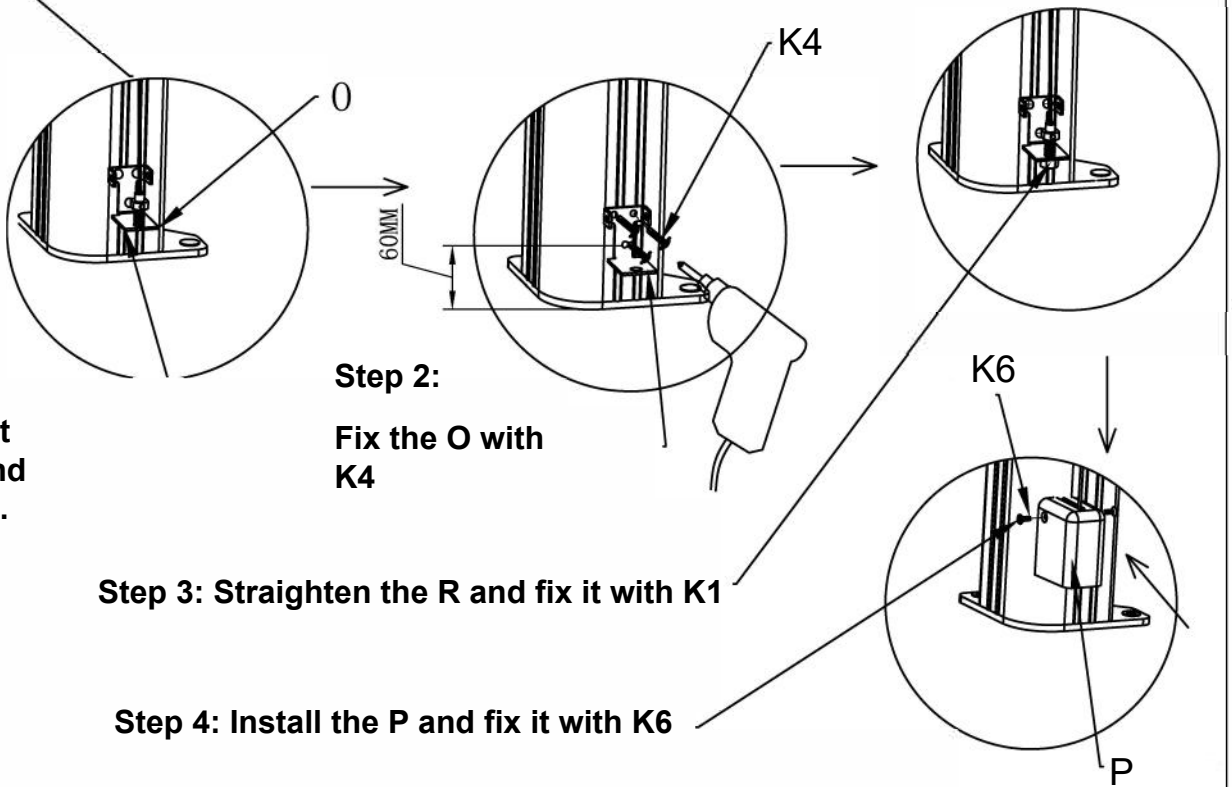
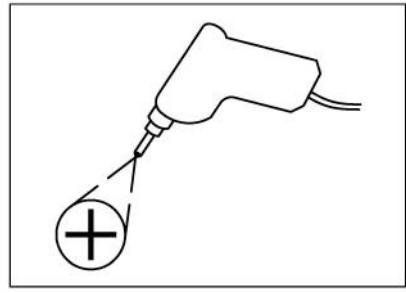
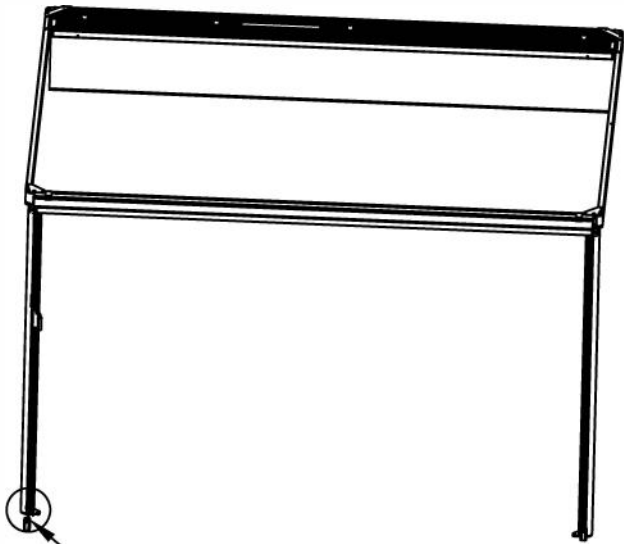
**2 Use tool to fix the screws**

**Step 2:**

**Screws the K2 through the R, lock K3 with K2, hang the L on the R.**



			K3		QTY:IPC
R		QTY:IPC	K2		QTY:IPC
N		QTY:IPC	L		QTY:IPC








**Step 1:**  
Take out  
the O and  
install it.

**Step 2:**  
Fix the O with  
K4

**Step 3:** Straighten the R and fix it with K1

**Step 4:** Install the P and fix it with K6

			K1		QTY: 2PCS
O		QTY: 2PCS	P		QTY: 2PCS
K4		QTY: 6PCS	K6		QTY: 4PCS

## Contact information

### Head office:

Dancover A/S  
Lyngevej 16A, Nørre Herlev  
3400 Hillerød  
Denmark

For more information  
please visit:

[www.dancovershop.com](http://www.dancovershop.com)

## National contact

### Denmark:

[denmark@dancover.com](mailto:denmark@dancover.com)

### UK:

[uk@dancover.com](mailto:uk@dancover.com)

### Germany:

[germany@dancover.com](mailto:germany@dancover.com)

### France:

[france@dancover.com](mailto:france@dancover.com)

### Sweden:

[sverige@dancover.com](mailto:sverige@dancover.com)

### Finland:

[suomi@dancover.com](mailto:suomi@dancover.com)

### Poland:

[polska@dancover.com](mailto:polska@dancover.com)

### Luxembourg:

[luxembourg@dancover.com](mailto:luxembourg@dancover.com)

### Portugal:

[portugal@dancover.com](mailto:portugal@dancover.com)

### Spain:

[espana@dancover.com](mailto:espana@dancover.com)

### Italy:

[italia@dancover.com](mailto:italia@dancover.com)

### Switzerland:

[schweiz@dancover.com](mailto:schweiz@dancover.com)

### Austria:

[austria@dancover.com](mailto:austria@dancover.com)

### Norway:

[norge@dancover.com](mailto:norge@dancover.com)

### Nederland:

[nederland@dancover.com](mailto:nederland@dancover.com)

### Ireland:

[ireland@dancover.com](mailto:ireland@dancover.com)

### Belgium:

[belgique@dancover.com](mailto:belgique@dancover.com)